

EBARA

	Page
- SPECIFICATIONS	200
SPECIFICATIONS 6BHE	200
SPECIFICATIONS 8BHE	201
SELECTION CHART 6BHE	202
SELECTION CHART 8BHE	208
TYPE KEY AND CURVE SPECIFICATIONS	210
PERFORMANCE CURVE 6BHE 13 (4÷9.3kW)	212
PERFORMANCE CURVE 6BHE 13 (11÷18.5kW)	213
PERFORMANCE CURVE 6BHE 13 (22kW)	215
PERFORMANCE CURVE 6BHE 13 (30kW)	217
PERFORMANCE CURVE 6BHE 13 (4÷9.3kW)	219
PERFORMANCE CURVE 6BHE 20 (11÷18.5kW)	220
PERFORMANCE CURVE 6BHE 20 (22kW)	222
PERFORMANCE CURVE 6BHE 20 (30kW)	224
PERFORMANCE CURVE 6BHE 20 (37kW)	226
PERFORMANCE CURVE 6BHE 32 (3.7÷9.3kW)	228
PERFORMANCE CURVE 6BHE 32 (11÷18.5kW)	229
PERFORMANCE CURVE 6BHE 32 (22kW)	230
PERFORMANCE CURVE 6BHE 32 (30kW)	231
PERFORMANCE CURVE 6BHE 32 (37kW)	232
PERFORMANCE CURVE 6BHE 32 (45kW)	234
PERFORMANCE CURVE 6BHE 32 (55kW)	236
PERFORMANCE CURVE 6BHE 48 (3÷9.3kW)	238
PERFORMANCE CURVE 6BHE 48 (11÷18.5kW)	239
PERFORMANCE CURVE 6BHE 48 (22kW)	240
PERFORMANCE CURVE 6BHE 48 (30kW)	241
PERFORMANCE CURVE 6BHE 48 (37kW)	242
PERFORMANCE CURVE 6BHE 48 (45kW)	243
PERFORMANCE CURVE 6BHE 48 (55kW)	244
PERFORMANCE CURVE 6BHE 64 (3.7÷9.3kW)	246
PERFORMANCE CURVE 6BHE 64 (11÷18.5kW)	247
PERFORMANCE CURVE 6BHE 64 (22kW)	248
PERFORMANCE CURVE 6BHE 64 (30kW)	249
PERFORMANCE CURVE 6BHE 64 (37kW)	250
PERFORMANCE CURVE 6BHE 64 (45kW)	251
PERFORMANCE CURVE 6BHE 64 (55kW)	253
PERFORMANCE CURVE 8BHE 77	255
PERFORMANCE CURVE 8BHE 95	256
- CONSTRUCTIONS	300
SECTIONAL VIEW 6BHE 13 – 6BHE 20	300
SECTIONAL VIEW 6BHE 32 – 6BHE 45 – 6BHE 64	302

SECTIONAL VIEW 8BHE	304
- DIMENSIONS AND WEIGHT	400
PUMP 6BHE 13	400
PUMP 6BHE 20	402
PUMP 6BHE 32	404
PUMP 6BHE 48	405
PUMP 6BHE 64	406
PUMP 8BHE	407
PACKING 6BHE 13	410
PACKING 6BHE 20	411
PACKING 6BHE 32	412
PACKING 6BHE 48	413
PACKING 6BHE 64	414
PACKING 8BHE	415
- TECHNICAL DATA	500
MOTOR DATA	500
OIL FILLED MOTORS CABLE SELECTION	501
WATER FILLED MOTORS CABLE SELECTION	502

SPECIFICATION

50Hz

Rev. C

PUMP 6BHE				
		Standard version		L version
Liquid Handled	Type of liquid	Clean water		
	Temperature [°C]	min. -5 max. +60		
Maximum working pressure [MPa]		7		
Construction	Impeller	Closed centrifugal type		
	Bearing	Sleeve type		
Pipe Connection	Discharge [inch]	Rp 2" ½ (6BHE 13-20) Rp 3" (6BHE 32-48-64)		
Material	Discharge Casing	EN 1.4301 (AISI 304)		EN 1.4401 (AISI 316)
	Impeller	EN 1.4301 (AISI 304)		EN 1.4401 (AISI 316)
	Shaft	EN 1.4057 (AISI 431)		EN 1.4401 (AISI 316) + EN 1.4460 (AISI 329)
	Stages	EN 1.4301 (AISI 304)		EN 1.4401 (AISI 316)
	Bracket	EN 1.4301 (AISI 304)		EN 1.4401 (AISI 316)
	Diffuser	EN 1.4301 (AISI 304)		EN 1.4401 (AISI 316)
Applicable standard of test		ISO 9906 – Annex A		

MOTOR						
Type	Submersible oil filled (type OY)			Submersible water filled (type WY)		
	Sumoto			Franklin		
	4"	6"		4"	6"	8"
No. of Poles	2					
Rotation speed [min ⁻¹]	Refer to each characteristic performance rotation speed at rated speed					
Insulation Class	F		B	F		
Protection degree (CEI EN 60034-5)	IP 58			IP 68		
Power rating	[kW]	2.2 ÷ 7.5	4 ÷ 30	2.2 ÷ 7.5	4 ÷ 45	55
	[HP]	3.0 ÷ 10	5.5 ÷ 40	3.0 ÷ 10	5.5 ÷ 60	75
Frequency [Hz]	50					
Start type	Direct on line					
Voltage [V]	380-415 ±10%			380-415 -10% +6%		
Maximum ambient temperature [°C]	35			30		
Maximum immersion [m]	150			350		
Start / hours	30			20		
Over load protection	User to provide					
Casing material	EN 1.4301 (AISI 304)					
Motor bracket	Cast iron nickel plated			EN 1.4301 (AISI 304)		

SPECIFICATION
50Hz

Rev. C

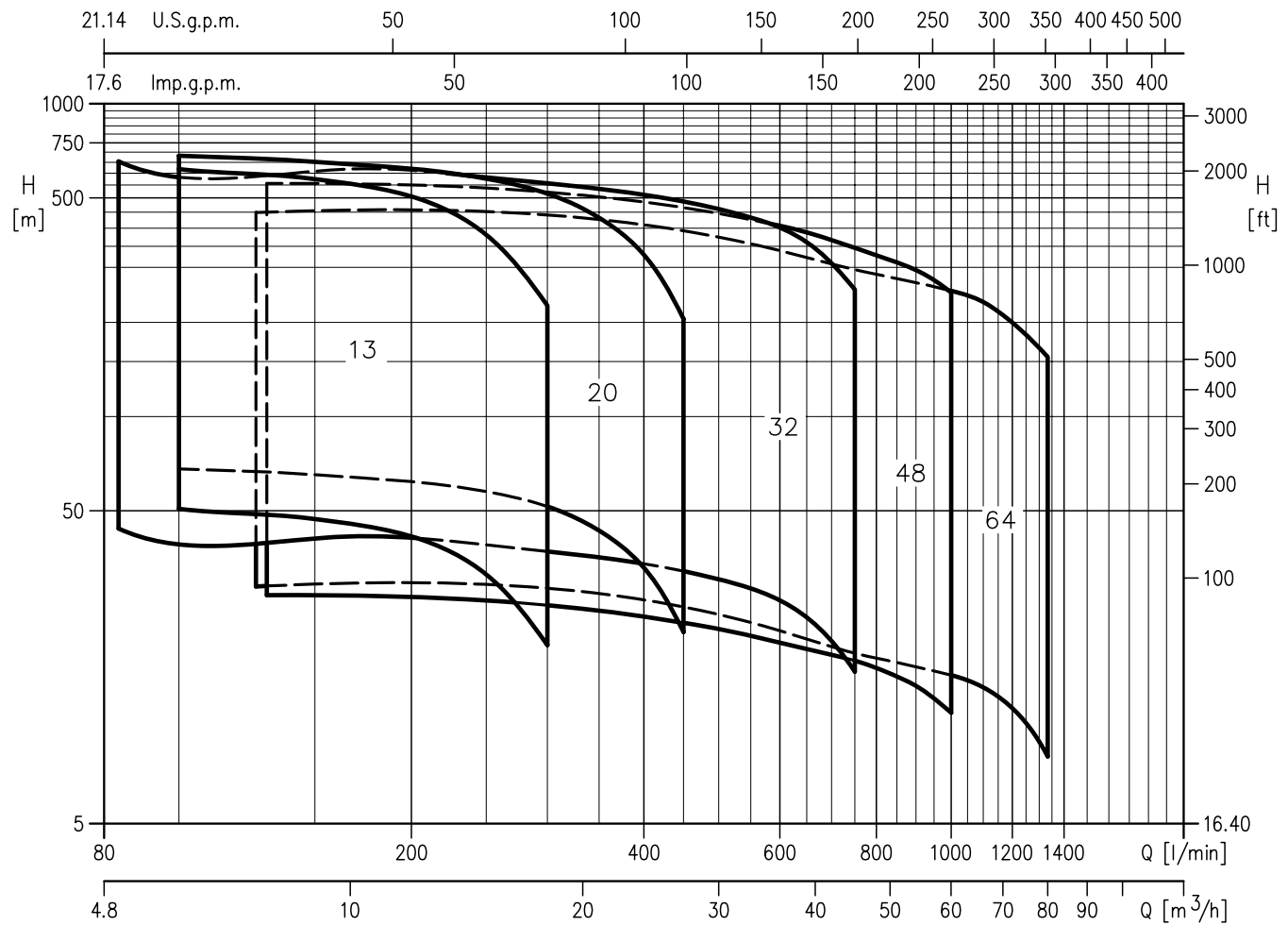
PUMP 8BHE			
		Standard version	L version
Liquid Handled	Type of liquid	Clean water	
	Temperature [°C]	min. -5 max. +60	
Maximum working pressure [MPa]		7	
Construction	Impeller	Closed centrifugal type	
	Bearing	Sleeve type	
Pipe Connection	Discharge [inch]	Rp 5"	
Material	Discharge Casing	EN 1.4301 (AISI 304)	EN 1.4401 (AISI 316)
	Impeller	EN 1.4301 (AISI 316)	EN 1.4401 (AISI 316)
	Shaft	EN 1.4301 (AISI 329)	EN 1.4401 (AISI 329)
	Stages	EN 1.4301 (AISI 304)	EN 1.4401 (AISI 316)
	Bracket	EN 1.4301 (AISI 304)	EN 1.4401 (AISI 316)
	Diffuser	EN 1.4301 (AISI 304)	EN 1.4401 (AISI 316)
Applicable standard of test		ISO 9906 – Annex A	

MOTOR				
Type	Submersible oil filled (type OY)		Submersible water filled (type WY)	
	Sumoto		Franklin	
	6"		6"	8"
No. of Poles	2			
Rotation speed [min ⁻¹]	Refer to each characteristic performance rotation speed at rated speed			
Insulation Class	F			
Protection degree (CEI EN 60034-5)	IP 58		IP 68	
Power rating	[kW]	7.5 ÷ 30	7.5 ÷ 37	45 ÷ 110
	[HP]	10 ÷ 40	10 ÷ 50	60 ÷ 150
Frequency [Hz]	50			
Start type	Direct on line			
Voltage [V]	380-415 ±10%		380-415 -10% +6%	
Maximum ambient temperature [°C]	35		30	
Maximum immersion [m]	150		350	
Start / hours	30		20	
Over load protection	User to provide			
Casing material	EN 1.4301 (AISI 304)			
Motor bracket	Cast iron nickel plated		EN 1.4301 (AISI 304)	

SELECTION CHART

50Hz

Rev. C



6BHE 13

Pump type	Size	Power		Q=Capacity							
		[kW]	[HP]	l/min	100	133	167	200	250	300	
				m ³ /h	6.0	8.0	10.1	12	15.1	18.1	
H=Total manometric head in meters											
6BHE 13-5	4"	2.2	3	56.1	50.7	48.4	45.4	41.4	31.3	18.6	
6BHE 13-6		3.7	5	67,3	60,8	58.1	54.5	49.7	37.5	22.3	
6BHE 13-7		3.7	5	78,5	71	67.8	63.6	58.0	43.8	26.0	
6BHE 13-8		3.7	5	89,7	81,1	77.5	72.7	66.3	50.0	29.7	
6BHE 13-9		5.5	7.5	100,9	91.2	87.2	81.8	74.6	56.3	33.4	
6BHE 13-10		5.5	7.5	112,1	101,4	96.9	90.9	82.9	62.5	37.1	
6BHE 13-11		5.5	7.5	123,3	111.5	106.6	100.0	91.2	68.8	40.8	
6BHE 13-12		5.5	7.5	134,6	121,7	116.3	109.1	99.5	75.0	44.6	
6BHE 13-13		5.5	7.5	145,8	131.8	125.9	118.1	107.7	81.3	48.3	
6BHE 13-14		7.5	10	157,0	141.9	135.6	127.2	116.0	87.5	52.0	
6BHE 13-15		7.5	10	168,2	152.1	145.3	136.3	124.3	93.8	55.7	
6BHE 13-16		7.5	10	179,4	162.2	155.0	145.4	132.6	100.0	59.4	
6BHE 13-17		7.5	10	190,6	172.3	164.7	154.5	140.9	106.3	63.1	
6BHE 13-5		6"	4	5.5	56.1	50.7	48.4	45.4	41.4	31.3	18.6
6BHE 13-6			4	5.5	67,3	60,8	58.1	54.5	49.7	37.5	22.3
6BHE 13-7			4	5.5	78,5	71	67.8	63.6	58.0	43.8	26.0
6BHE 13-8			4	5.5	89,7	81,1	77.5	72.7	66.3	50.0	29.7
6BHE 13-9	5.5		7.5	100,9	91.2	87.2	81.8	74.6	56.3	33.4	
6BHE 13-10	5.5		7.5	112,1	101,4	96.9	90.9	82.9	62.5	37.1	
6BHE 13-11	5.5		7.5	123,3	111.5	106.6	100.0	91.2	68.8	40.8	
6BHE 13-12	5.5		7.5	134,6	121,7	116.3	109.1	99.5	75.0	44.6	
6BHE 13-13	5.5		7.5	145,8	131.8	125.9	118.1	107.7	81.3	48.3	
6BHE 13-14	7.5		10	157,0	141.9	135.6	127.2	116.0	87.5	52.0	
6BHE 13-15	7.5		10	168,2	152.1	145.3	136.3	124.3	93.8	55.7	
6BHE 13-16	7.5		10	179,4	162.2	155.0	145.4	132.6	100.0	59.4	
6BHE 13-17	7.5		10	190,6	172.3	164.7	154.5	140.9	106.3	63.1	
6BHE 13-18	9.3		12.5	201,8	182.5	174.4	163.6	149.2	112.5	66.8	
6BHE 13-19	9.3		12.5	213,0	192.6	184.1	172.7	157.5	118.8	70.5	
6BHE 13-20	9.3		12.5	224,3	202.8	193.8	181.8	165.8	125.0	74.3	
6BHE 13-21	9.3		12.5	235,5	212.9	203.4	190.8	174.0	131.3	78.0	
6BHE 13-22	9.3	12.5	246,7	223.0	213.1	199.9	182.3	137.5	81.7		
6BHE 13-23	11	15	257,9	233.2	222.8	209.0	190.6	143.8	85.4		
6BHE 13-24	11	15	269,1	243.3	232.5	218.1	198.9	150.0	89.1		
6BHE 13-25	11	15	280,3	253.4	242.2	227.2	207.2	156.3	92.8		
6BHE 13-26	11	15	291,5	263.6	251.9	236.3	215.5	162.5	96.5		
6BHE 13-27	15	20	302,7	273.7	261.6	245.4	223.8	168.8	100.2		
6BHE 13-28	15	20	314,0	283.9	271.3	254.5	232.1	175.0	104.0		
6BHE 13-29	15	20	325,2	294.0	280.9	263.5	240.3	181.3	107.7		
6BHE 13-30	15	20	336,4	304.1	290.6	272.6	248.6	187.5	111.4		
6BHE 13-31	15	20	347,6	314.3	300.3	281.7	256.9	193.8	115.1		
6BHE 13-32	6"	15	20	358,8	324.4	310.0	290.8	265.2	200.0	118.8	
6BHE 13-33		15	20	370,0	334.5	319.7	299.9	273.5	206.3	122.5	
6BHE 13-34		15	20	381,2	344.7	329.4	309.0	281.8	212.5	126.2	
6BHE 13-35		15	20	392,4	354.8	339.1	318.1	290.1	218.8	129.9	
6BHE 13-36		15	20	403,7	365.0	348.8	327.2	298.4	225.0	133.7	
6BHE 13-37		18.5	25	414,9	375.1	358.4	336.2	306.6	231.3	137.4	
6BHE 13-38		18.5	25	426,1	385.2	368.1	345.3	314.9	237.5	141.1	
6BHE 13-39		18.5	25	437,3	395.4	377.8	354.4	323.2	243.8	144.8	
6BHE 13-40		18.5	25	448,5	405.5	387.5	363.5	331.5	250.0	148.5	
6BHE 13-41		18.5	25	459,7	415.6	397.2	372.6	339.8	256.3	152.2	
6BHE 13-42		18.5	25	470,9	425.8	406.9	381.7	348.1	262.5	155.9	
6BHE 13-43	18.5	25	482,1	435.9	416.6	390.8	356.4	268.8	159.6		
6BHE 13-44	18.5	25	493,4	446.1	426.3	399.9	364.7	275.0	163.4		
6BHE 13-45	22	30	504,6	456.2	435.9	408.9	372.9	281.3	167.1		
6BHE 13-46	22	30	515,8	466.3	445.6	418.0	381.2	287.5	170.8		
6BHE 13-47	22	30	527,0	476.5	455.3	427.1	389.5	293.8	174.5		
6BHE 13-48	22	30	538,2	486.6	465.0	436.2	397.8	300.0	178.2		
6BHE 13-49	22	30	549,4	496.7	474.7	445.3	406.1	306.3	181.9		
6BHE 13-50	22	30	560,6	506.9	484.4	454.4	414.4	312.5	185.6		
6BHE 13-51	22	30	571,8	517.0	494.1	463.5	422.7	318.8	189.3		
6BHE 13-52	22	30	583,1	527.2	503.8	472.6	431.0	325.0	193.1		
6BHE 13-53	30	40	594,3	537.3	513.4	481.6	439.2	331.3	196.8		
6BHE 13-54	30	40	605,5	547.4	523.1	490.7	447.5	337.5	200.5		
6BHE 13-55	30	40	616,7	557.6	532.8	499.8	455.8	343.8	204.2		
6BHE 13-56	30	40	627,9	567.7	542.5	508.9	464.1	350.0	207.9		
6BHE 13-57	30	40	639,1	577.8	552.2	518.0	472.4	356.3	211.6		
6BHE 13-58	30	40	650,3	588.0	561.9	527.1	480.7	362.5	215.3		
6BHE 13-59	30	40	661,5	598.1	571.6	536.2	489.0	368.8	219.0		
6BHE 13-60	30	40	672,7	608.3	581.3	545.3	497.3	375.0	222.8		
6BHE 13-61	30	40	684,0	618.4	590.9	554.3	505.5	381.3	226.5		

SELECTION CHART

50Hz

Rev. C

6BHE 20

Pump type	Size	Power		Q=Capacity											
		[kW]	[HP]	l/min	0	100	133	167	200	250	300	350	400	450	
				m³/h	0	6	8	10	12	15	18	21	24	27	
H=Total manometric head in meters															
6BHE 20-6	4"	3.7	5	70.0	68.0	66.4	64.0	62.0	57.6	51.6	43.2	32.9	20.5		
6BHE 20-7		5.5	7.5	81.7	79.0	77.5	74.7	72.3	67.2	60.2	50.4	38.4	23.9		
6BHE 20-8		5.5	7.5	93.3	90.9	88.5	85.3	82.7	76.8	68.8	57.6	43.9	27.4		
6BHE 20-9		5.5	7.5	105	102.0	99.6	96.0	93.0	86.4	77.4	64.8	49.4	30.8		
6BHE 20-10		7.5	10	116.7	113.7	110.7	106.7	103.3	96.0	86.0	72.0	54.9	34.2		
6BHE 20-11		7.5	10	128.3	125.0	121.7	117.3	113.7	105.6	94.6	79.2	60.4	37.6		
6BHE 20-12		7.5	10	140	136.0	132.8	128.0	124.0	115.2	103.2	86.4	65.8	41.0		
6BHE 20-6	6"	4	5.5	70.0	68.0	66.4	64.0	62.0	57.6	51.6	43.2	32.9	20.5		
6BHE 20-7		5.5	7.5	81.7	79.0	77.5	74.7	72.3	67.2	60.2	50.4	38.4	23.9		
6BHE 20-8		5.5	7.5	93.3	90.9	88.5	85.3	82.7	76.8	68.8	57.6	43.9	27.4		
6BHE 20-9		5.5	7.5	105	102.0	99.6	96.0	93.0	86.4	77.4	64.8	49.4	30.8		
6BHE 20-10		7.5	10	116.7	113.7	110.7	106.7	103.3	96.0	86.0	72.0	54.9	34.2		
6BHE 20-11		7.5	10	128.3	125.0	121.7	117.3	113.7	105.6	94.6	79.2	60.4	37.6		
6BHE 20-12		7.5	10	140	136.0	132.8	128.0	124.0	115.2	103.2	86.4	65.8	41.0		
6BHE 20-13		9.3	12.5	151.7	147.1	143.9	138.7	134.3	124.8	111.8	93.6	71.3	44.5		
6BHE 20-14		9.3	12.5	163.3	157.0	154.9	149.3	144.7	134.4	120.4	100.8	76.8	47.9		
6BHE 20-15		9.3	12.5	175.0	170.5	166.0	160.0	155.0	144.0	129.0	108.0	82.3	51.3		
6BHE 20-16		11	15	186.7	181.9	177.1	170.7	165.3	153.6	137.6	115.2	87.8	54.7		
6BHE 20-17		11	15	198.3	193.2	118.1	181.3	175.7	163.2	146.2	122.4	93.3	58.1		
6BHE 20-18		11	15	210.0	204.6	199.2	192.0	186.0	172.8	154.8	129.6	98.8	61.6		
6BHE 20-19		15	20	221.7	216.0	210.3	202.7	196.3	182.4	163.4	136.8	104.2	65.0		
6BHE 20-20		15	20	233.3	227.3	221.3	213.3	206.7	192.0	172.0	144.0	109.7	68.4		
6BHE 20-21		15	20	245.0	238.7	232.4	224.0	217.0	201.6	180.6	151.2	115.2	71.8		
6BHE 20-22		15	20	256.7	250.0	243.5	234.7	227.3	211.2	189.2	158.4	120.7	75.2		
6BHE 20-23		15	20	268.3	261.4	254.5	245.3	237.7	220.8	197.8	165.6	126.2	78.7		
6BHE 20-24		15	20	280.0	272.8	265.6	256.0	248.0	230.4	206.4	172.8	131.7	82.1		
6BHE 20-25		18.5	25	291.7	284.2	276.7	266.7	258.3	240.0	215.0	180.0	137.2	85.5		
6BHE 20-26		18.5	25	303.3	295.5	287.7	277.3	268.7	249.6	223.6	187.2	142.7	88.9		
6BHE 20-27		18.5	25	315.0	306.0	298.8	288.0	279.0	259.2	232.2	194.4	148.1	92.3		
6BHE 20-28		18.5	25	326.7	318.3	309.9	298.7	289.3	268.8	240.8	201.6	153.6	95.8		
6BHE 20-29		18.5	25	338.3	329.6	320.9	309.3	299.7	278.4	249.4	208.8	159.1	99.2		
6BHE 20-30		18.5	25	350.0	341.0	332.0	320.0	310.0	288.0	258.0	216.0	164.6	102.6		
6BHE 20-31		22	30	361.7	352.4	343.1	330.7	320.3	297.6	266.6	223.2	170.1	106.0		
6BHE 20-32		22	30	373.3	363.7	354.1	341.3	330.7	307.2	275.2	230.4	175.6	109.4		
6BHE 20-33		22	30	385.0	375.1	365.2	352.0	341.0	316.8	283.8	237.6	181.1	112.9		
6BHE 20-34		22	30	396.7	386.5	376.3	362.7	351.3	326.4	292.4	244.8	186.5	116.3		
6BHE 20-35	22	30	408.3	397.8	387.3	373.3	361.7	336.0	301.0	252.0	192.0	119.7			
6BHE 20-36	22	30	420.0	409.2	398.4	384.0	372.0	345.6	309.6	259.2	197.5	123.1			
6BHE 20-37	30	40	431.7	420.6	409.5	394.7	382.3	355.2	318.2	266.4	203.0	126.5			
6BHE 20-38	30	40	443.3	431.9	420.5	405.3	392.7	364.8	326.8	273.6	208.5	130.0			
6BHE 20-39	30	40	455.0	443.0	431.6	416.0	403.0	374.4	335.4	280.8	214.0	133.4			
6BHE 20-40	30	40	466.7	455.0	442.7	426.7	413.3	384.0	344.0	288.0	219.5	136.8			
6BHE 20-41	30	40	478.3	466.0	453.7	437.3	423.7	393.6	352.6	295.2	225.0	140.2			
6BHE 20-42	30	40	490.0	477.0	464.8	448.0	434.0	403.2	361.2	302.4	230.4	143.6			
6BHE 20-43	30	40	501.7	489.0	475.9	458.7	444.3	412.8	369.8	309.6	235.9	147.1			
6BHE 20-44	30	40	513.3	500.0	486.9	469.3	454.7	422.4	378.4	316.8	241.4	150.5			
6BHE 20-45	30	40	525.0	511.5	498.0	480.0	465.0	432.0	387.0	324.0	246.9	153.9			
6BHE 20-46	30	40	536.7	523.0	509.1	490.7	475.3	441.6	395.6	331.2	252.4	157.3			
6BHE 20-47	30	40	548.3	534.2	520.1	501.3	485.7	451.2	404.2	338.4	257.9	160.7			
6BHE 20-48	30	40	560.0	545.6	531.2	512.0	496.0	460.8	412.8	345.6	263.4	164.2			
6BHE 20-49	30	40	571.7	557.0	542.3	522.7	506.3	470.4	421.4	352.8	268.8	167.6			
6BHE 20-50	37	50	583.3	568.3	553.3	533.3	516.7	480.0	430.0	360.0	274.3	171.0			
6BHE 20-51	37	50	595.0	579.7	564.4	544.0	527.0	489.6	438.6	367.2	279.8	174.4			
6BHE 20-52	37	50	606.7	591.1	575.5	554.7	537.3	499.2	447.2	374.4	285.3	177.8			
6BHE 20-53	37	50	618.3	602.4	586.5	565.3	547.7	508.8	455.8	381.6	290.8	181.3			
6BHE 20-54	37	50	630.0	613.8	597.6	576.0	558.0	518.4	464.4	388.8	296.3	184.7			
6BHE 20-55	37	50	641.7	625.2	608.7	586.7	568.3	528.0	473.0	396.0	301.8	188.1			
6BHE 20-56	37	50	653.3	636.5	619.7	597.3	578.7	537.6	481.6	403.2	307.3	191.5			
6BHE 20-57	37	50	665.0	647.9	630.8	608.0	589.0	547.2	490.2	410.4	312.7	194.9			
6BHE 20-58	37	50	676.7	659.3	641.9	618.7	599.3	556.8	498.8	417.6	318.2	198.4			
6BHE 20-59	37	50	688.3	670.6	652.9	629.3	609.7	566.4	507.4	424.8	323.7	201.8			
6BHE 20-60	37	50	700.0	682.0	664.0	640.0	620.0	576.0	516.0	432.0	329.2	205.2			

SELECTION CHART

50Hz

Rev. C

BHE 32

Pump type	Size	Power		Q=Capacity									
		[kW]	[HP]	l/min	83.5	166.5	250	333.5	416.5	500	583.5	666.5	750
				m³/h	5	10	15	20	25	30	35	40	45
H=Total manometric head in meters													
6BHE 32-3	4"	3.7	5	46.3	43.9	41.4	38.9	36.0	33.3	30.2	26.7	21.7	15.3
6BHE 32-4		5.5	7.5	62.5	59.5	56.0	52.6	48.8	45.2	41.1	36.5	30.0	21.4
6BHE 32-5		7.5	10	78.6	74.2	70.2	66.2	61.5	56.9	51.8	46.1	38.0	27.4
6BHE 32-6		7.5	10	93.1	88.4	83.4	78.4	72.6	67.1	61.0	54.0	44.1	31.2
6BHE 32-3	6"	3.7	5	46.3	43.9	41.4	38.9	36.0	33.3	30.2	26.7	21.7	15.3
6BHE 32-4		5.5	7.5	62.5	59.5	56.0	52.6	48.8	45.2	41.1	36.5	30.0	21.4
6BHE 32-5		7.5	10	78.6	74.2	70.2	66.2	61.5	56.9	51.8	46.1	38.0	27.4
6BHE 32-6		7.5	10	93.1	88.4	83.4	78.4	72.6	67.1	61.0	54.0	44.1	31.2
6BHE 32-7		9.3	12.5	110	104.2	98.4	92.6	86.0	79.7	72.6	64.6	53.3	38.4
6BHE 32-8		11	15	125.5	119.4	113.3	105.7	98.1	90.9	82.7	73.6	60.5	43.5
6BHE 32-9		11	15	140.1	132.7	125.3	117.9	109.3	101.1	91.8	81.4	66.6	47.3
6BHE 32-10		15	20	158.2	149.9	141.6	133.3	123.8	114.9	104.7	93.5	77.3	56.1
6BHE 32-11		15	20	173.0	163.9	154.8	145.7	135.3	125.4	114.1	101.7	83.8	60.4
6BHE 32-12		15	20	187.7	177.8	167.9	158.0	146.6	135.7	123.4	109.6	90.0	64.4
6BHE 32-13		18.5	25	205.2	194.0	183.7	172.9	160.6	148.9	135.7	121.1	100.0	72.4
6BHE 32-14		18.5	25	220.0	208.5	196.9	185.3	172.1	159.4	145.1	129.2	106.5	76.7
6BHE 32-15		22	30	237.0	224.6	212.2	199.7	185.5	172.1	156.8	140.0	115.7	84.0
6BHE 32-16		22	30	251.9	238.7	225.5	212.2	197.1	182.6	166.3	148.3	122.3	88.3
6BHE 32-17		22	30	266.7	252.6	238.5	224.5	208.4	193.0	175.7	156.4	128.7	92.5
6BHE 32-18		22	30	281.3	226.8	251.8	236.8	219.7	203.3	185.0	164.3	134.9	96.5
6BHE 32-19		30	40	302.1	286.0	270.5	254.7	236.8	219.9	200.7	179.7	149.2	109.1
6BHE 32-20		30	40	317.3	300.6	284.0	267.4	248.6	230.7	210.5	188.2	156.0	113.8
6BHE 32-21		30	40	332.3	315.0	297.4	280.0	260.2	241.5	220.1	196.7	162.8	118.3
6BHE 32-22		30	40	347.3	329.1	310.9	292.6	271.8	252.1	229.7	205.0	169.4	122.7
6BHE 32-23		30	40	362.2	343.2	324.1	305.1	283.4	262.6	239.2	213.2	175.9	127.0
6BHE 32-24		30	40	377.0	357.2	337.3	317.5	294.8	273.1	248.6	221.4	182.2	131.2
6BHE 32-25		37	50	395.2	374.5	353.8	333.0	309.4	287.0	261.5	233.5	193.1	140.1
6BHE 32-26		37	50	410.1	388.1	367.0	345.5	320.9	297.5	271.1	241.8	199.7	144.5
6BHE 32-27		37	50	425.0	402.6	380.3	357.9	332.4	308.1	280.5	250.0	206.1	148.8
6BHE 32-28		37	50	439.8	416.7	393.5	370.3	343.8	318.5	289.9	258.1	212.5	152.9
6BHE 32-29		37	50	454.5	430.5	406.5	382.6	355.2	328.9	299.2	266.2	218.8	157.0
6BHE 32-30		37	50	469.1	436.0	420.0	394.9	366.4	339.1	308.5	274.1	224.9	160.9
6BHE 32-31		45	60	490.0	464.3	438.6	412.9	383.6	355.8	324.2	289.4	239.3	173.6
6BHE 32-32		45	60	505.0	478.5	451.9	425.4	395.2	366.4	333.7	297.7	245.8	177.9
6BHE 32-33		45	60	519.8	492.5	465.2	437.9	406.7	376.9	343.2	305.9	252.2	182.1
6BHE 32-34		45	60	534.6	513.0	491.5	450.3	418.1	387.3	352.6	314.0	258.6	186.2
6BHE 32-35		45	60	549.4	520.5	491.5	462.6	429.5	397.7	361.9	322.0	264.8	190.2
6BHE 32-36		45	60	564.1	534.5	504.9	474.9	440.8	408.0	371.1	329.9	270.9	194.2
6BHE 32-37	45	60	578.7	548.1	517.6	487.1	452.0	418.2	380.3	337.7	277.0	198.0	
6BHE 32-38	8"	55	75	612.9	581.2	549.2	517.4	481.6	448.2	409.8	368.6	308.6	229.2
6BHE 32-39		55	75	628.4	595.8	563.1	530.5	493.7	459.4	420.0	377.6	315.9	234.4
6BHE 32-40		55	75	644.0	610.5	577.0	543.5	505.8	470.6	430.1	386.6	323.2	239.6
6BHE 32-41		55	75	659.4	625.2	590.9	556.6	517.9	481.7	440.2	395.6	330.5	244.7
6BHE 32-42		55	75	674.9	639.8	604.7	569.5	529.9	492.8	450.3	404.5	337.7	249.8
6BHE 32-43		55	75	690.3	654.4	618.5	582.5	542.0	503.9	460.3	413.3	344.9	254.8

SELECTION CHART

50Hz

Rev. C

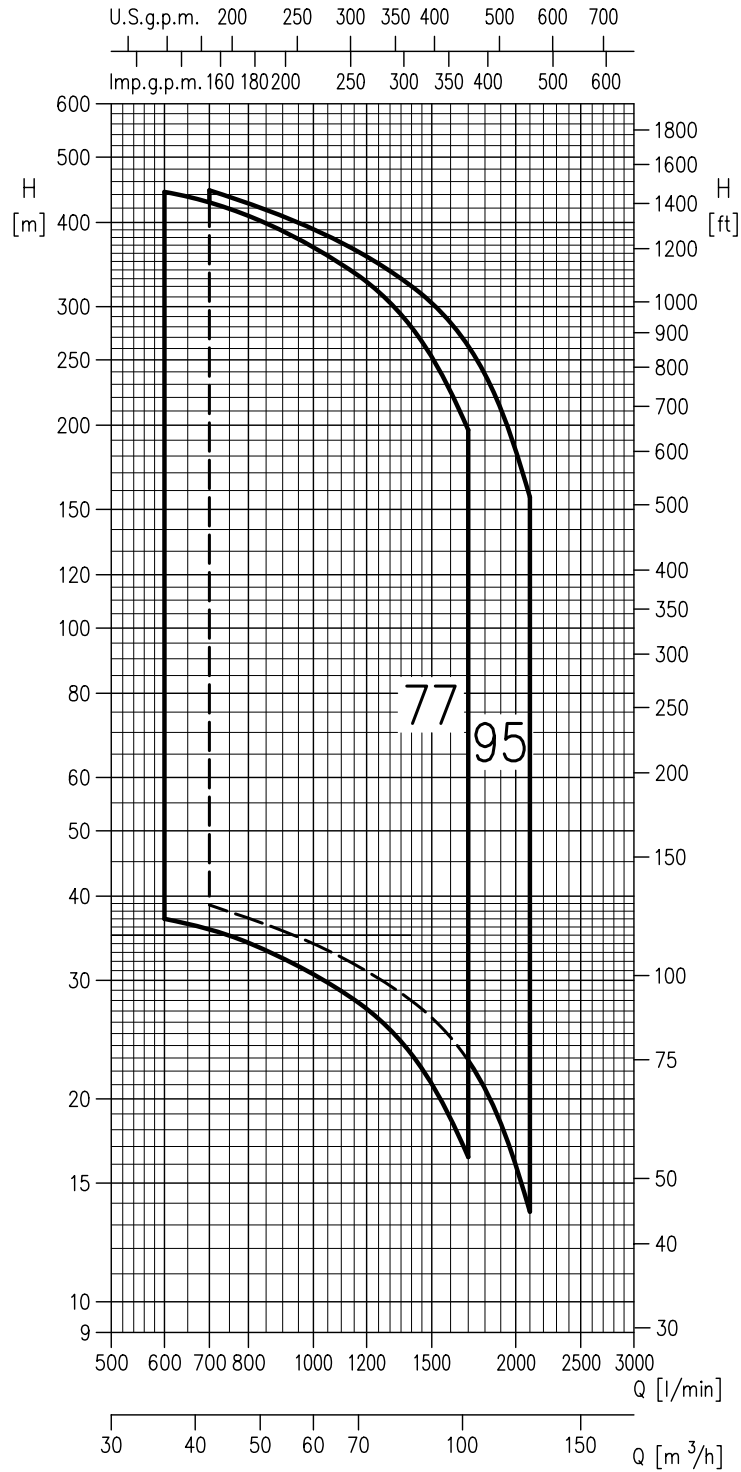
6BHE 48

Pump type	Size	Power		Q=Capacity									
		[kW]	[HP]	l/min	0	416.5	500	583.5	666.5	750	833.5	916.5	1000
				m ³ /h	0	25	30	35	40	45	50	55	60
H=Total manometric head in meters													
6BHE 48-2	4"	3	4	26.4	22.6	20,9	19.3	17.8	16.6	15.1	13.4	11.3	
6BHE 48-3		4	5.5	39,4	33.8	31.2	28.8	26.6	24.7	22.5	19.9	16.8	
6BHE 48-4		5.5	7.5	52,5	45	41,5	38.3	35.5	32.9	29.9	26.5	22.3	
6BHE 48-5		7.5	10	66,1	56.8	52.3	48.3	44.7	41.5	37.8	33.6	28.4	
6BHE 48-2	6"	3	4	26.4	22.6	20,9	19.3	17.8	16.6	15.1	13.4	11.3	
6BHE 48-3		4	5.5	39,4	33.8	31.2	28.8	26.6	24.7	22.5	19.9	16.8	
6BHE 48-4		5.5	7.5	52,5	45	41,5	38.3	35.5	32.9	29.9	26.5	22.3	
6BHE 48-5		7.5	10	66,1	56.8	52.3	48.3	44.7	41.5	37.8	33.6	28.4	
6BHE 48-6		9.3	12.5	80,7	70	65.2	60.4	55.5	50.3	46	41.6	35.7	
6BHE 48-7		9.3	12.5	93,1	80.4	74.8	69.3	63.5	57.6	52.7	47.5	40.5	
6BHE 48-8		11	15	106,1	91.6	85.1	78.9	72.2	65.5	59.9	54	46	
6BHE 48-9		15	20	121,5	105.5	98.2	91	83.7	75.9	69.5	62.9	54.1	
6BHE 48-10		15	20	134	116.1	108	100.1	91.9	83.3	76.2	68.9	59	
6BHE 48-11		15	20	146.3	126.5	117.6	109	99.9	90.5	82.8	74.7	63.7	
6BHE 48-12		18.5	25	161.3	140	130.3	120.8	110.9	100.6	92	83.3	71.4	
6BHE 48-13		18.5	25	173.8	150.5	140	129.8	119	107.9	98.7	89.2	76.3	
6BHE 48-14		18.5	25	186.1	160.9	149.5	138.7	127	115.1	105.3	95	81	
6BHE 48-15		22	30	200.8	174.1	161.9	150.1	137.7	124.9	114.3	103.3	88.4	
6BHE 48-16		22	30	213.2	184.5	171.5	159.1	145.8	132.2	120.9	109.1	93.2	
6BHE 48-17		22	30	225.4	194.7	181	167.8	153.6	139.3	127.3	114.8	97.8	
6BHE 48-18		30	40	243.8	212.3	197.6	183.1	168.6	152.9	139.9	126.8	109.2	
6BHE 48-19		30	40	256.6	223.1	207.7	192.5	177	160.5	146.9	133	114.4	
6BHE 48-20		30	40	269.2	233.8	217.6	201.7	185.3	168.1	153.7	139.1	119.5	
6BHE 48-21		30	40	281.8	244.4	227.4	210.8	193.5	175.5	160.5	145.2	124.4	
6BHE 48-22		30	40	294.2	254.9	237	219.8	201.6	182.8	167.2	151.1	129.3	
6BHE 48-23		30	40	306.6	265.2	246.6	228.6	209.5	190	173.8	156.9	134	
6BHE 48-24		37	50	322.4	279.8	260.3	241.3	221.6	200.9	183.8	166.3	142.6	
6BHE 48-25		37	50	334.9	290.3	270	250.3	229.7	208.3	190.6	172.2	147.5	
6BHE 48-26		37	50	347.3	300.7	279.6	259.3	237.8	215.6	197.2	178.1	152.3	
6BHE 48-27		37	50	359.6	311.1	289.2	268.2	245.7	222.8	203.7	183.9	157	
6BHE 48-28		37	50	371.8	321.3	298.6	276.9	253.6	229.9	210.2	189.6	161.7	
6BHE 48-29		45	60	390.1	338.7	315.1	292.1	268.3	243.3	222.6	201.4	172.9	
6BHE 48-30		45	60	402.7	349.2	324.9	301.1	276.5	250.7	229.4	207.4	177.8	
6BHE 48-31		45	60	415.1	359.6	334.5	310.1	284.5	258	236	213.3	182.6	
6BHE 48-32	45	60	427.5	370	344.1	319	292.5	265.2	242.6	219.1	187.4		
6BHE 48-33	45	60	439.8	380.3	353.5	327.8	300.4	272.3	249.1	224.8	192		
6BHE 48-34	8"	55	75	469.3	410.9	383.1	354.8	328	297.6	271.9	248.1	215.7	
6BHE 48-35		55	75	482.5	422.3	393.7	364.6	337	305.8	279.4	254.8	221.4	
6BHE 48-36		55	75	495.7	433.7	404.3	374.4	345.9	313.9	286.8	261.4	227	
6BHE 48-37		55	75	508.9	445	414.8	384.1	354.8	321.9	294.2	268.1	233.6	
6BHE 48-38		55	75	522	456.3	425.3	393.8	363.7	330	301.6	274.7	238.2	
6BHE 48-39		55	75	535.1	467.5	435.7	403.5	372.5	337.9	308.9	281.2	243.8	
6BHE 48-40		55	75	548.1	478.7	446.1	413.1	381.3	345.9	316.2	287.8	249.3	

6BHE 64

Pump type	Size	Power		Q=Capacity											
		[KW]	[HP]	l/min	0	583.5	666.5	750	833.5	916.5	1000	1083.5	1166.5	1250	1333.5
				m³/h	0	35	40	45	50	55	60	65	70	75	80
H=Total manometric head in meters															
6BHE 64-2	4"	3.7	5	26.8	21.1	19	17.3	16.5	15.7	14.9	13.9	12.4	10.5	8.2	
6BHE 64-3		5.5	7.5	40.4	31.8	28.8	26.2	24.9	23.7	22.5	21	18.9	16	12.6	
6BHE 64-4		7.5	10	54	42.5	38.4	35	33.2	31.6	30.1	28	25.2	21.4	16.9	
6BHE 64-2	6"	3.7	5	26.8	21.1	19	17.3	16.5	15.7	14.9	13.9	12.4	10.5	8.2	
6BHE 64-3		5.5	7.5	40.4	31.8	28.8	26.2	24.9	23.7	22.5	21	18.9	16	12.6	
6BHE 64-4		7.5	10	54	42.5	38.4	35	33.2	31.6	30.1	28	25.2	21.4	16.9	
6BHE 64-5		9.3	12.5	68	53.8	48.7	44.3	41.9	40.1	38.2	35.6	32.2	27.5	22	
6BHE 64-6		11	15	81.2	64	57.9	52.7	50	47.7	45.3	42.3	38.1	32.3	25.7	
6BHE 64-7		15	20	94.9	76.2	70.1	65.2	61.7	58.6	55.7	52.1	46.1	39.7	33.4	
6BHE 64-8		15	20	107.6	86	79.1	73.5	69.7	66.1	62.8	58.5	51.6	44.3	37	
6BHE 64-9		15	20	120.1	95.5	87.8	81.5	77.4	73.4	69.6	64.6	56.8	48.6	40.2	
6BHE 64-10		18.5	25	134.5	107.6	99	91.9	87.2	82.7	78.5	73.2	64.6	55.5	46.3	
6BHE 64-11		18.5	25	147	117.2	107.8	100.1	95	90	85.4	79.4	69.8	59.9	49.6	
6BHE 64-12		22	30	161.2	128.9	118.5	110.1	104.4	99.1	94.1	87.6	77.3	66.3	55.3	
6BHE 64-13		22	30	173.7	138.5	127.3	118.2	112.2	106.4	101	93.8	82.5	70.8	58.6	
6BHE 64-14		30	40	190.3	153.3	141	131.1	124	118	112	104.9	93	80.2	67.7	
6BHE 64-15		30	40	203.2	163.4	150.2	139.6	132.2	125.7	119.3	111.5	98.7	85	71.5	
6BHE 64-16		30	40	216	173.3	159.3	148	140.3	133.2	126.5	118.1	104.3	89.7	75.2	
6BHE 64-17	30	40	228.6	183	168.3	156.3	148.2	140.7	133.5	124.4	109.8	94.3	78.8		
6BHE 64-18	37	50	243.4	195.5	179.8	167	158.2	150.3	142.7	133.3	117.9	101.5	85.2		
6BHE 64-19	37	50	256.1	205.3	188.8	175.4	166.2	157.9	149.9	139.8	123.5	106.1	88.9		
6BHE 64-20	37	50	268.8	215	197.7	183.7	174.1	165.3	156.9	146.2	128.9	110.7	92.4		
6BHE 64-21	37	50	281.4	224.6	206.5	191.8	182	172.6	163.8	152.4	134.2	115.1	95.7		
6BHE 64-22	45	60	297.7	239.2	219.9	204.4	193.6	183.9	174.6	163.2	144.3	124.2	104.4		
6BHE 64-23	45	60	310.5	249	229	212.7	201.6	191.4	181.7	169.6	149.8	128.9	108		
6BHE 64-24	45	60	323.2	258.7	237.9	221	209.5	198.9	188.8	176	155.3	133.4	111.5		
6BHE 64-25	45	60	335.8	268.4	246.7	229.2	217.3	206.2	195.7	182.2	160.6	137.9	114.9		
6BHE 64-26	45	60	348.4	277.9	255.5	237.3	225.1	213.5	202.5	188.3	165.8	142.2	118.1		
6BHE 64-27	8"	55	75	372.8	303	278.8	259.3	244.7	233.4	221.6	208.5	186.4	161.6	137.5	
6BHE 64-28		55	75	386.1	313.5	288.5	268.3	253.3	241.5	229.3	215.7	192.6	166.9	142	
6BHE 64-29		55	75	399.4	324	298.1	277.2	261.8	249.5	237	222.8	198.8	172.2	146.4	
6BHE 64-30		55	75	412.6	334.5	307.7	286.1	270.3	257.6	244.6	229.8	204.9	177.4	150.8	
6BHE 64-31		55	75	425.8	344.9	317.3	295	278.7	265.5	252.2	236.8	211	182.6	155	

8BHE



SELECTION CHART

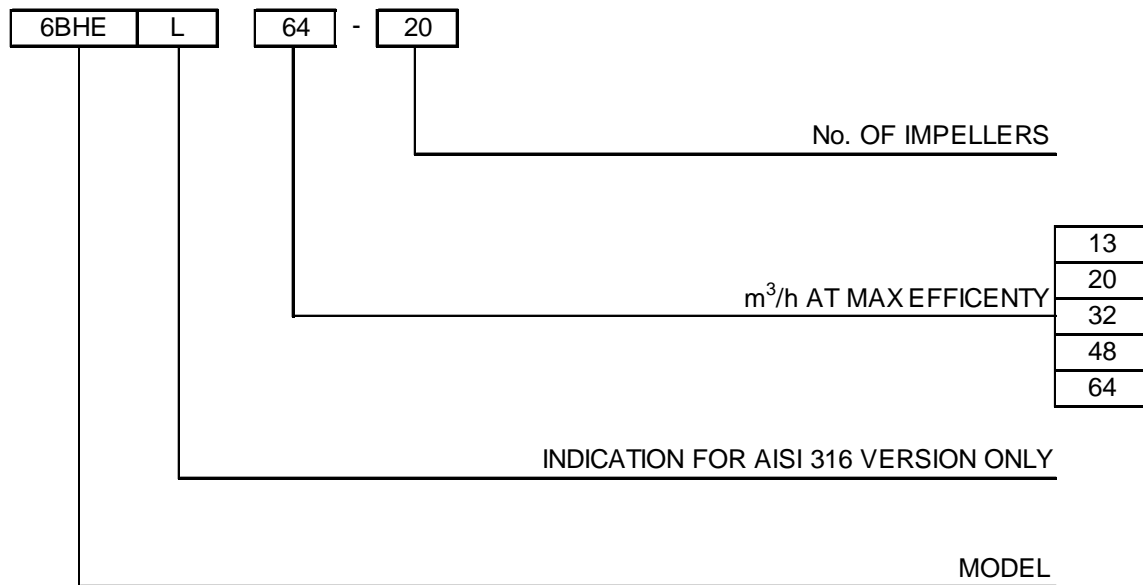
50Hz

Rev. C

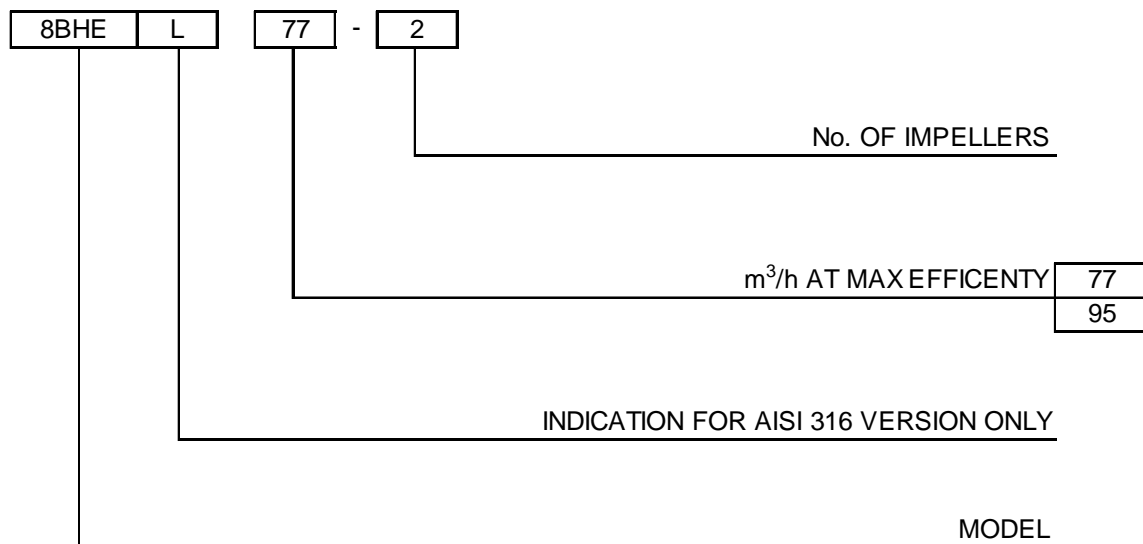
Pump type	Size	Power												
		[kW]	[HP]	l/min	0	600	700	1000	1250	1500	1700	1900	2100	
				m ³ /h	0	36	42	60	75	90	102	114	126	
86 BHE 77 - 2	6"	7.5	10	41.0	37.0	35.7	30.6	26.3	21.1	16.4	-	-		
86 BHE 77 - 3		11	15	62.0	55.5	53.5	46.0	39.5	31.6	24.6	-	-		
86 BHE 77 - 4		15	20	82.5	74.0	71.5	61.0	52.5	42.0	32.8	-	-		
86 BHE 77 - 5		18.5	25	103.0	92.5	89.5	76.5	66.0	52.5	41.0	-	-		
86 BHE 77 - 6		22	30	124.0	111.0	107.0	92.0	79.0	63.0	49.0	-	-		
86 BHE 77 - 7		30	40	144.0	130.0	125.0	107.0	92.0	73.5	57.5	-	-		
86 BHE 77 - 8		30	40	165.0	148.0	143.0	122.0	105.0	84.0	65.5	-	-		
86 BHE 77 - 9		30	40	185.0	167.0	161.0	138.0	118.0	95.0	74.0	-	-		
86 BHE 77 - 10		37	50	206.0	185.0	179.0	153.0	132.0	105.0	82.0	-	-		
86 BHE 77 - 11		37	50	227.0	204.0	196.0	168.0	145.0	116.0	90.0	-	-		
8 BHE 77 - 12		8"	45	60	247.0	222.0	214.0	184.0	158.0	126.0	98.5	-	-	
8 BHE 77 - 13	55		75	268.0	241.0	232.0	199.0	171.0	137.0	107.0	-	-		
8 BHE 77 - 14	55		75	288.0	259.0	250.0	214.0	184.0	147.0	115.0	-	-		
8 BHE 77 - 15	55		75	309.0	278.0	268.0	230.0	197.0	158.0	123.0	-	-		
8 BHE 77 - 16	75		100	330.0	296.0	286.0	245.0	210.0	168.0	131.0	-	-		
8 BHE 77 - 17	75		100	350.0	315.0	303.0	260.0	224.0	179.0	139.0	-	-		
8 BHE 77 - 18	75		100	371.0	333.0	321.0	275.0	237.0	190.0	148.0	-	-		
8 BHE 77 - 19	75		100	391.0	352.0	339.0	291.0	250.0	200.0	156.0	-	-		
8 BHE 77 - 20	75		100	412.0	370.0	357.0	306.0	263.0	211.0	164.0	-	-		
8 BHE 77 - 21	75		100	433.0	389.0	375.0	321.0	276.0	221.0	172.0	-	-		
8 BHE 77 - 22	93		125	453.0	407.0	393.0	337.0	289.0	232.0	180.0	-	-		
8 BHE 77 - 23	93		125	474.0	426.0	411.0	352.0	302.0	242.0	189.0	-	-		
8 BHE 77 - 24	93		125	494.0	444.0	428.0	367.0	316.0	253.0	197.0	-	-		
86 BHE 95 - 2	6"	9.2	12.5	43.0	-	38.8	34.0	30.2	26.4	22.8	18.4	13.6		
86 BHE 95 - 3		15	20	65.0	-	58.0	51.0	45.5	39.6	34.2	27.6	20.4		
86 BHE 95 - 4		18.5	25	86.5	-	77.5	68.0	60.5	53.0	45.5	36.8	27.2		
86 BHE 95 - 5		22	30	108.0	-	97.0	85.0	75.5	66.0	57.0	46.0	34.0		
86 BHE 95 - 6		30	40	130.0	-	116.0	102.0	90.5	79.0	68.5	55.0	41.0		
86 BHE 95 - 7		30	40	151.0	-	136.0	119.0	106.0	92.5	80.0	64.5	47.5		
86 BHE 95 - 8		37	50	173.0	-	155.0	136.0	121.0	106.0	91.0	73.5	54.5		
86 BHE 95 - 9		37	50	194.0	-	175.0	153.0	136.0	119.0	103.0	83.0	61.0		
8 BHE 95 - 10		8"	45	60	216.0	-	194.0	170.0	151.0	132.0	114.0	92.0	68.0	
8 BHE 95 - 11	55		75	238.0	-	213.0	187.0	166.0	145.0	125.0	101.0	75.0		
8 BHE 95 - 12	55		75	259.0	-	233.0	204.0	181.0	158.0	137.0	110.0	81.5		
8 BHE 95 - 13	55		75	281.0	-	252.0	221.0	196.0	172.0	148.0	120.0	88.5		
8 BHE 95 - 14	75		100	302.0	-	272.0	238.0	211.0	185.0	160.0	129.0	95.0		
8 BHE 95 - 15	75		100	324.0	-	291.0	255.0	227.0	198.0	171.0	138.0	102.0		
8 BHE 95 - 16	75		100	346.0	-	310.4	272.0	242.0	211.0	182.0	147.0	109.0		
8 BHE 95 - 17	75		100	367.0	-	330.0	289.0	257.0	224.0	194.0	156.0	116.0		
8 BHE 95 - 18	93		125	389.0	-	349.0	306.0	272.0	238.0	205.0	166.0	122.0		
8 BHE 95 - 19	93		125	410.0	-	369.0	323.0	287.0	251.0	217.0	175.0	129.0		
8 BHE 95 - 20	93		125	432.0	-	388.0	340.0	302.0	264.0	228.0	184.0	136.0		
8 BHE 95 - 21	93		125	454.0	-	407.0	357.0	317.0	277.0	239.0	193.0	143.0		
8 BHE 95 - 22	110		150	475.0	-	427.0	374.0	332.0	290.0	251.0	202.0	150.0		
8 BHE 95 - 23	110	150	497.0	-	446.0	391.0	347.0	304.0	262.0	212.0	156.0			

TYPE KEY

6BHE



8BHE



PERFORMANCE CURVE SPECIFICATIONS

The specifications below qualify the curves shown on the following pages.

Tolerances according to ISO 9906 Annex A

The curves refer to effective speed of asynchronous motors at 50 Hz

Measurements were carried out with clean water at 20°C of temperature and with a kinematic viscosity of $\nu = 1 \text{ mm}^2/\text{s}$ (1 cSt)

The NPSH curve is an average curve obtained in the same conditions of performance curves.

The continuous curves indicate the recommended working range. The dotted curve is only a guide.

In order to avoid the risk of over-heating, the pumps should not be used at a flow rate below 10% of best efficiency point.

Symbols explanation:

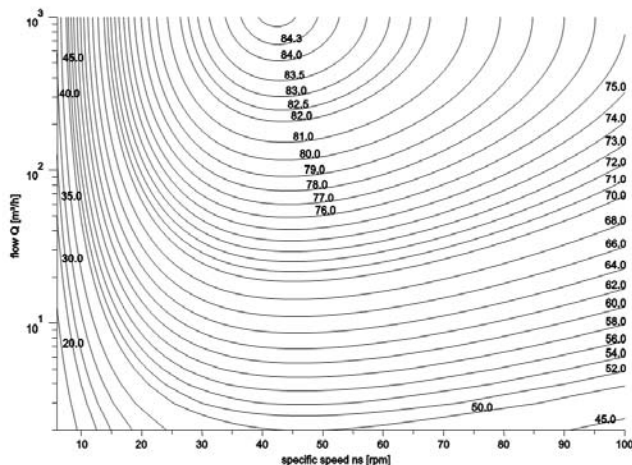
- Q = volume flow rate
- H = total head
- P_2 = pump power input (shaft power)
- η = pump efficiency
- NPSH = net positive suction head required by the pump
- MEI = minimum efficiency index

The minimum efficiency index (MEI) is a measure of the quality of a pump size in respect to its mean efficiency. The minimum efficiency index is based on the hydraulic efficiency and on the head at the best efficiency point.

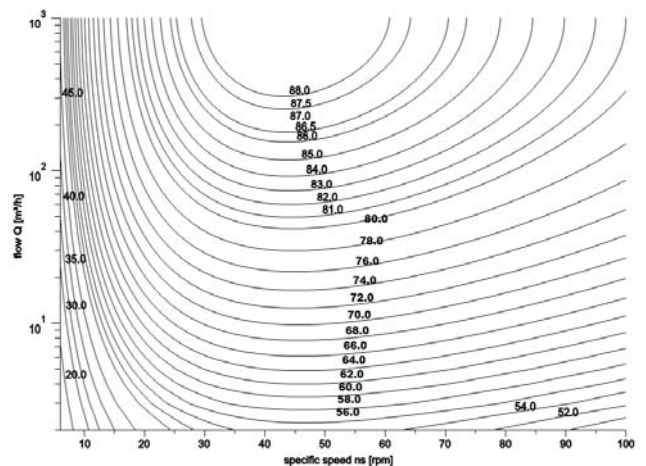
The efficiency of a pump with trimmed impeller is usually lower than that of a pump with the full impeller diameter. The trimming of the impeller will adapt the pump to a fixed duty point, leading to reduced energy consumption. The minimum efficiency index (MEI) is based on the full impeller diameter.

The operation of these water pumps with variable duty points may be more efficient and economic when controlled, for example, by the use of a variable speed drive that matches the pump duty to the system.

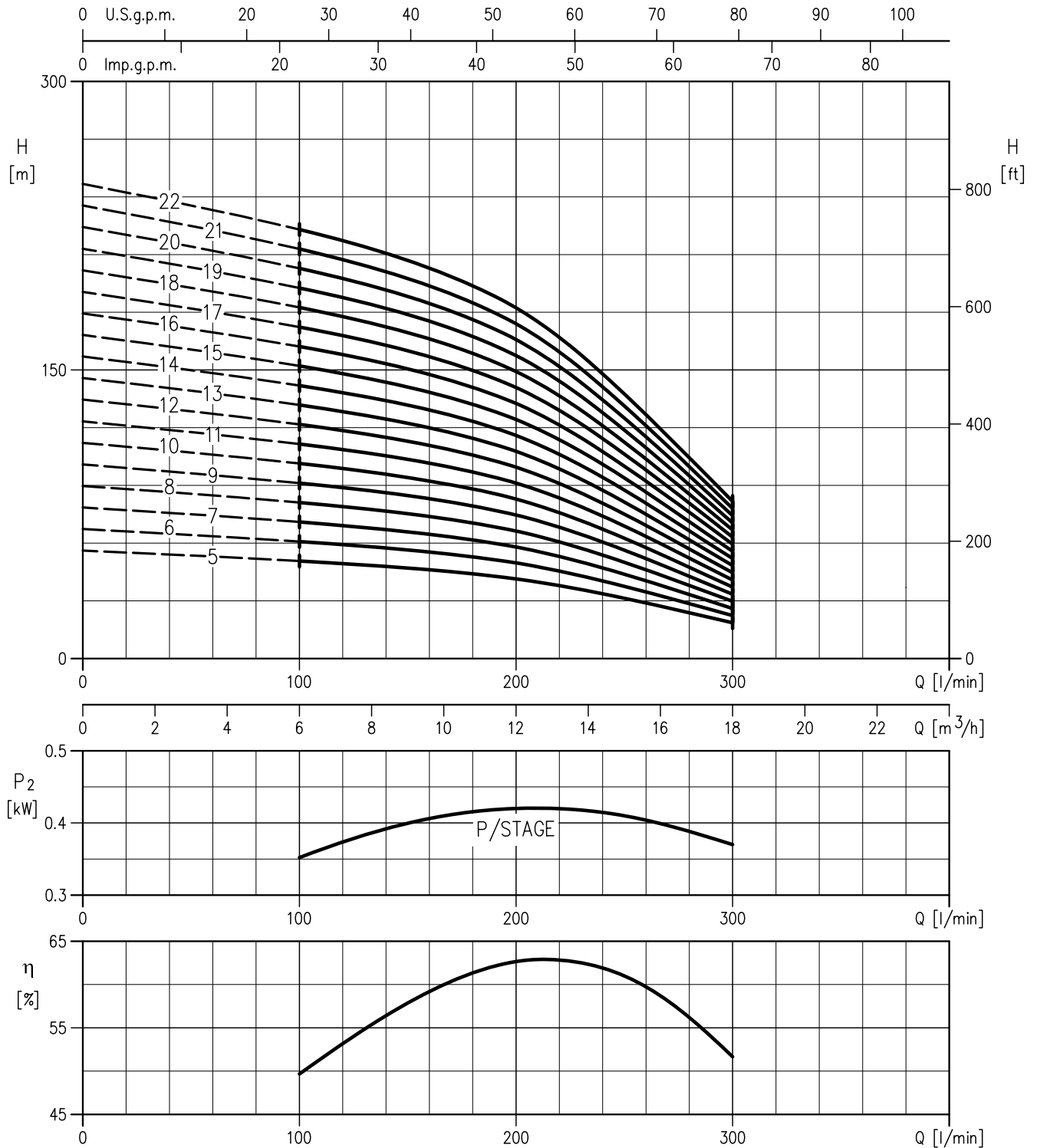
MEI = 0.4 for Multistage Submersible 2900rpm



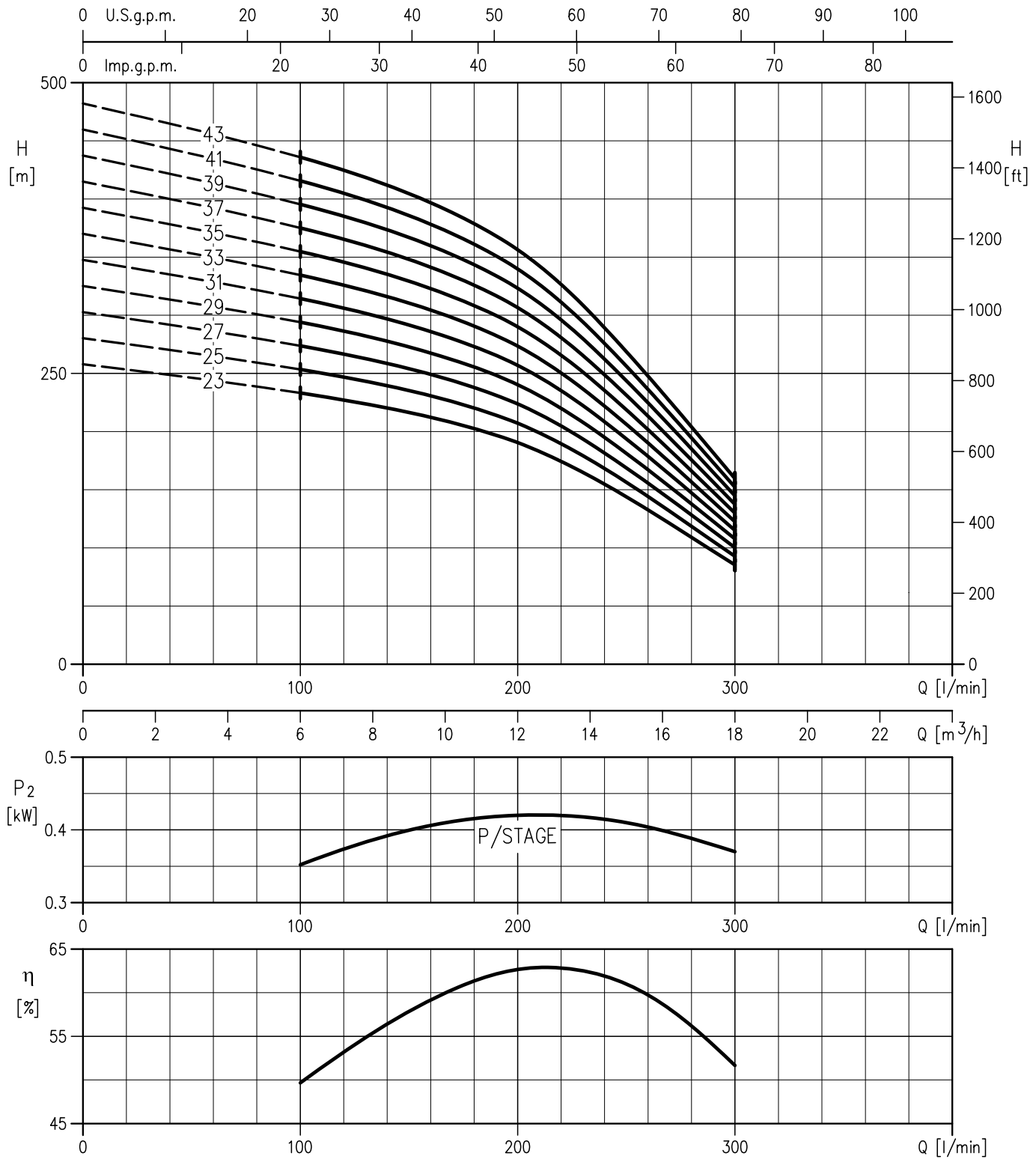
MEI = 0.7 for Multistage Submersible 2900 rpm



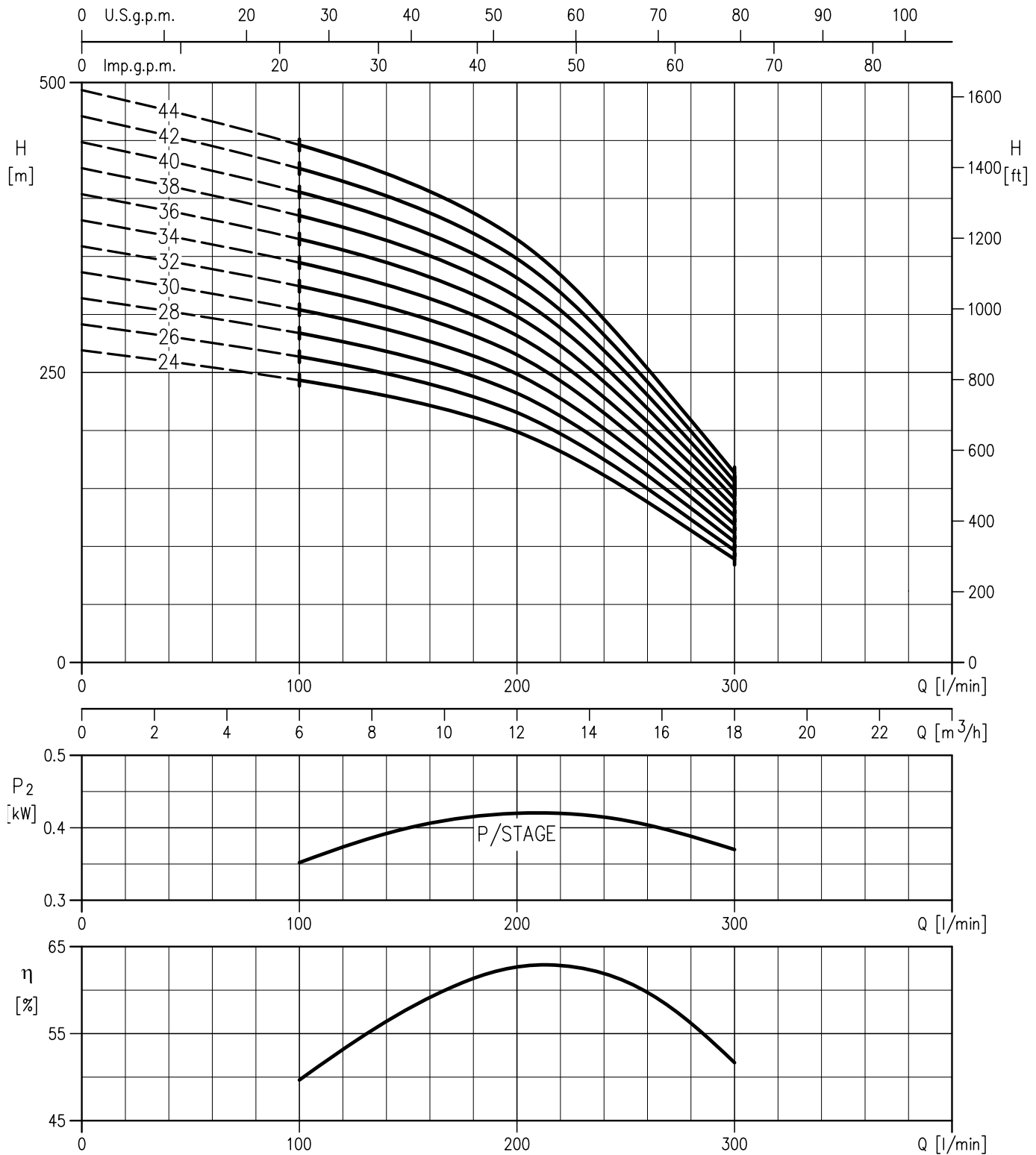
6BHE 13 (4÷9.3 kW) MEI > 0.10



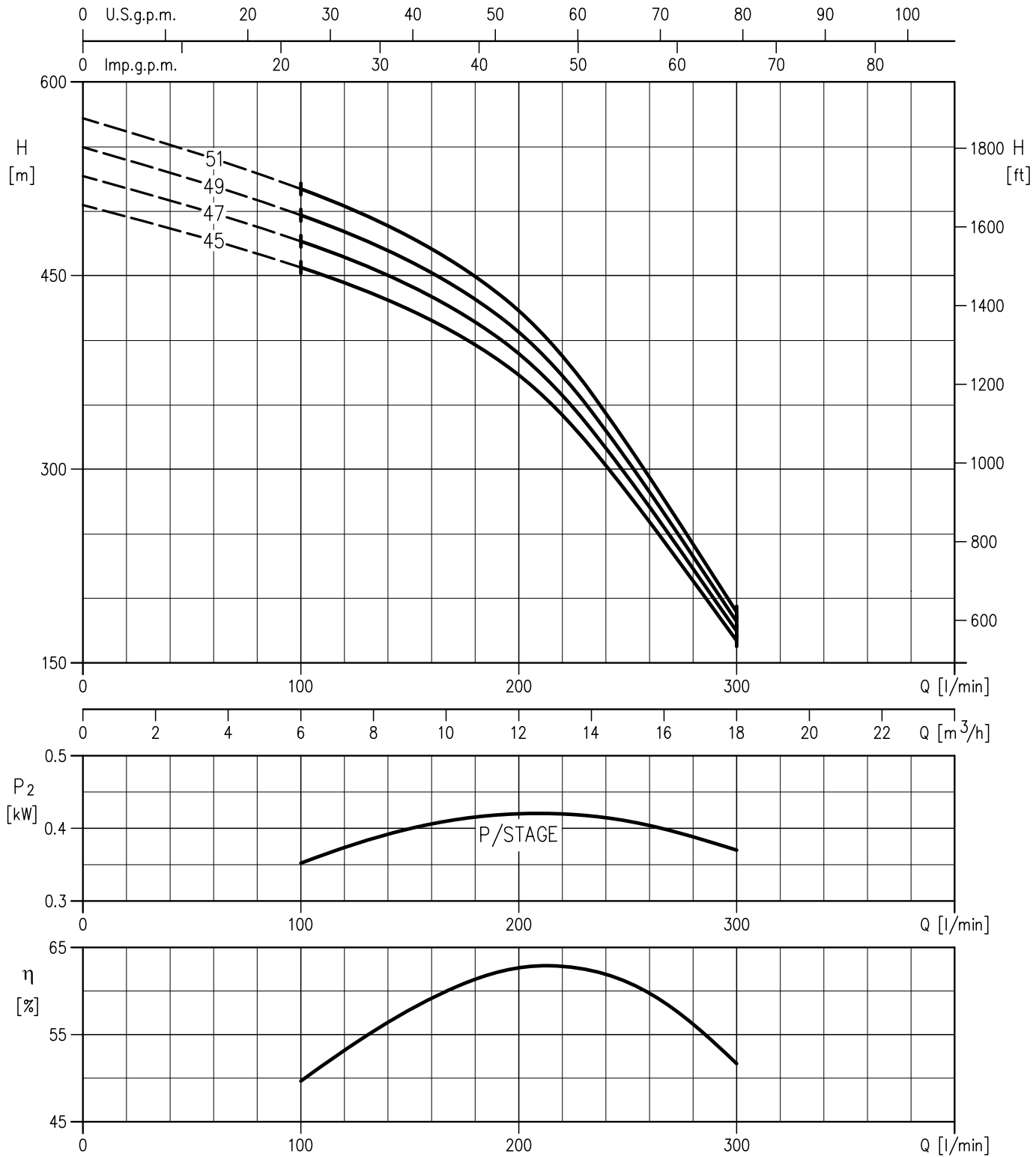
6BHE 13 (11÷18.5kW) MEI > 0.10

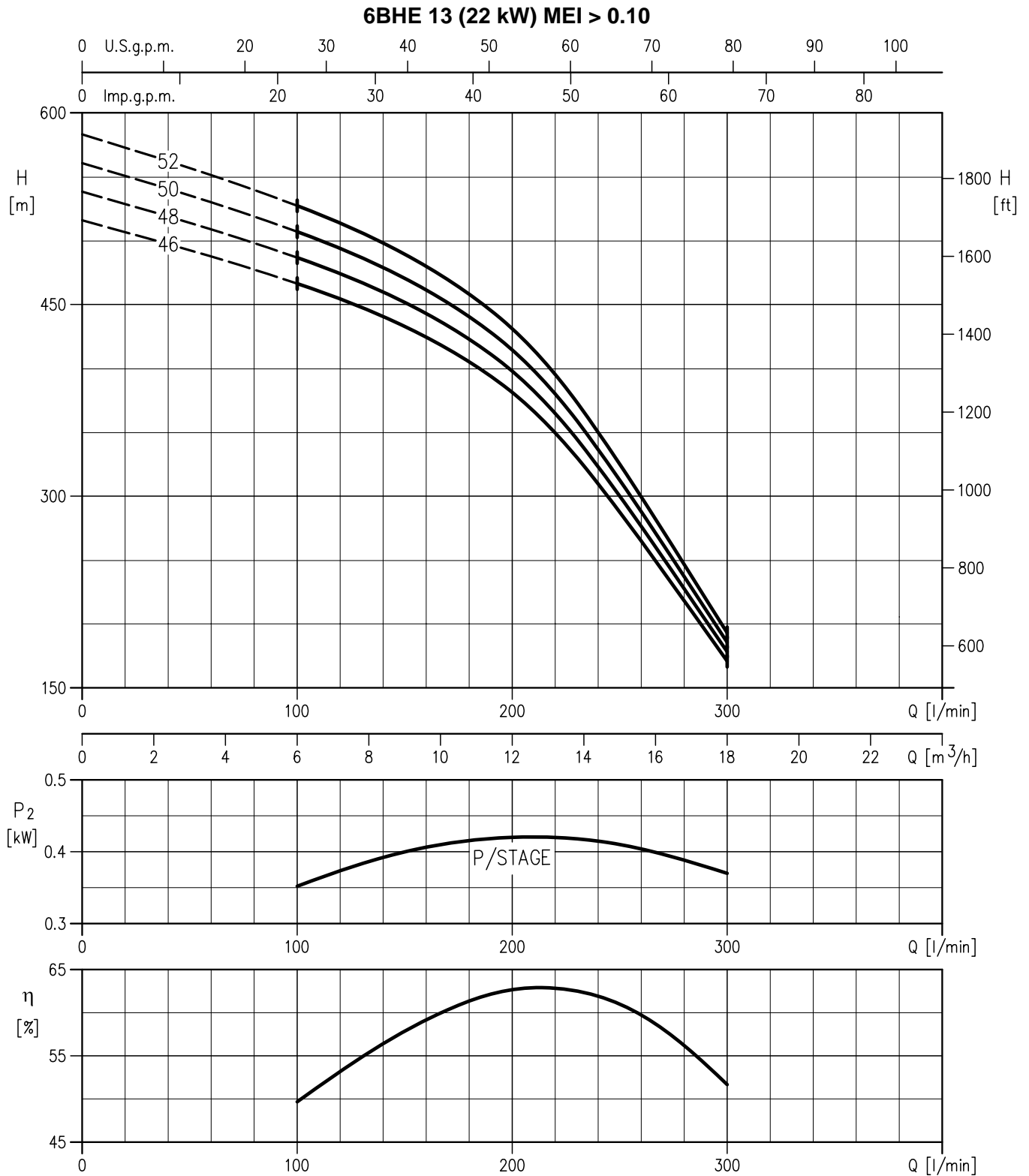


6BHE 13 (11÷18.5kW) MEI > 0.10

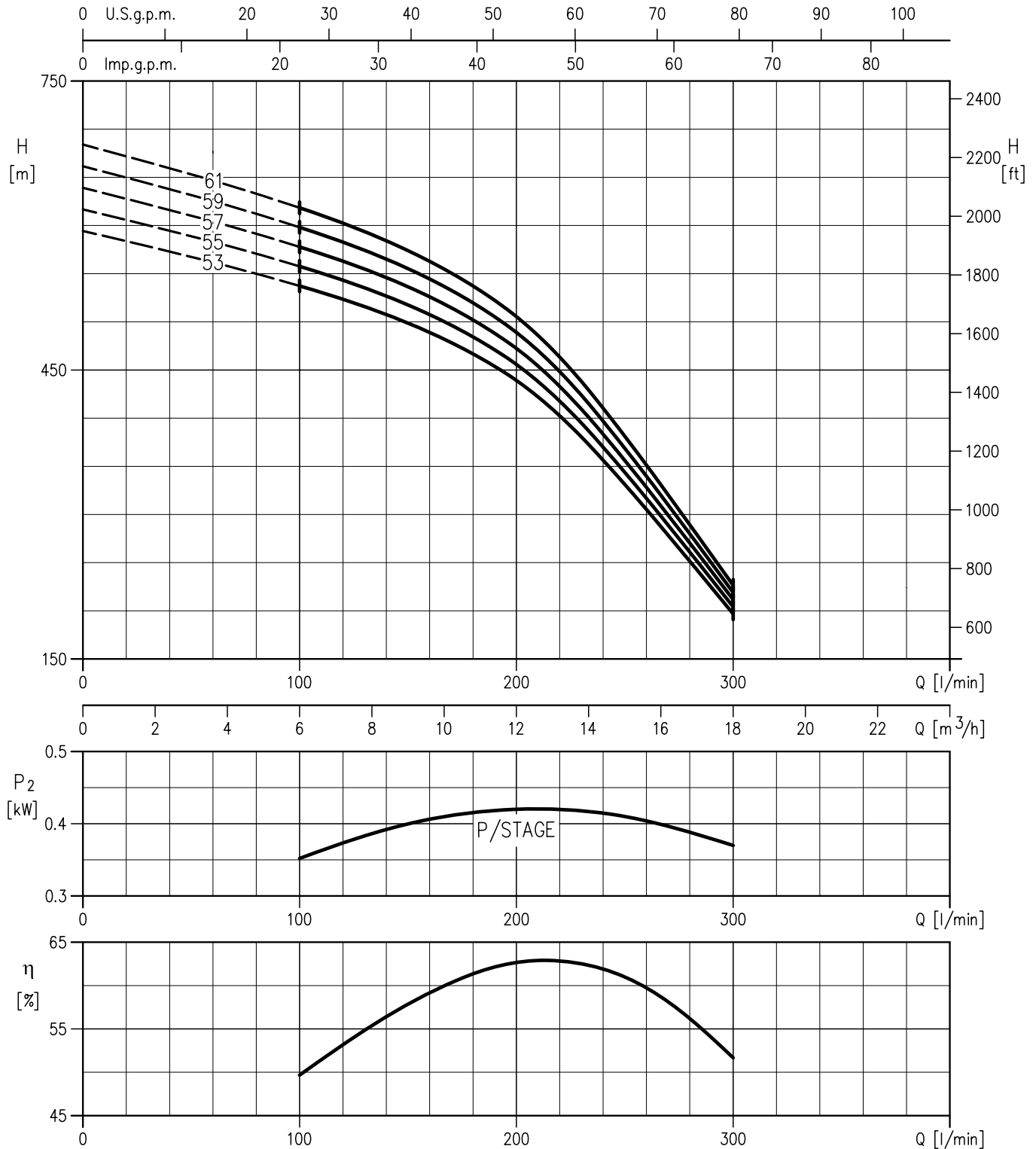


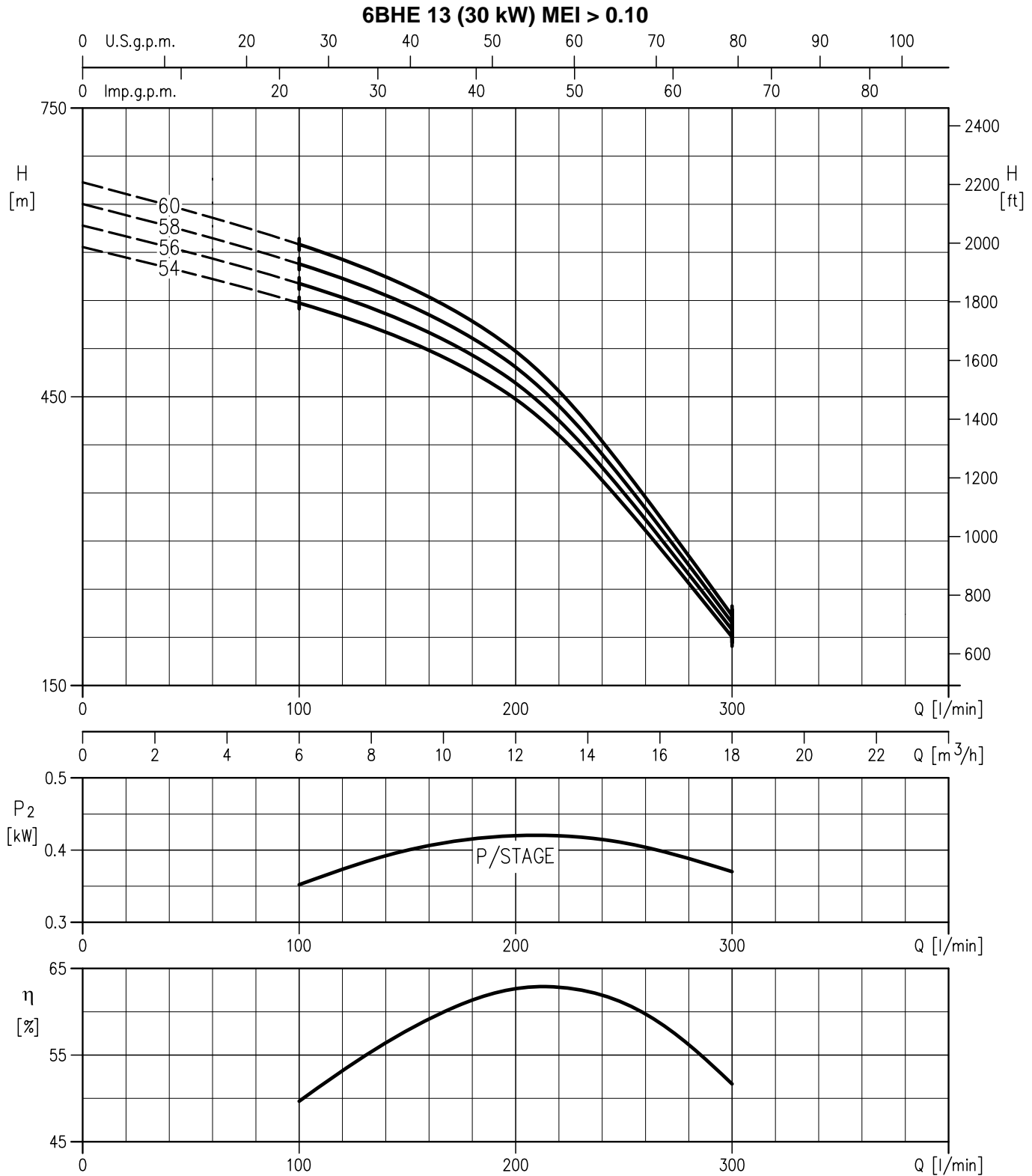
6BHE 13 (22 kW) MEI > 0.10



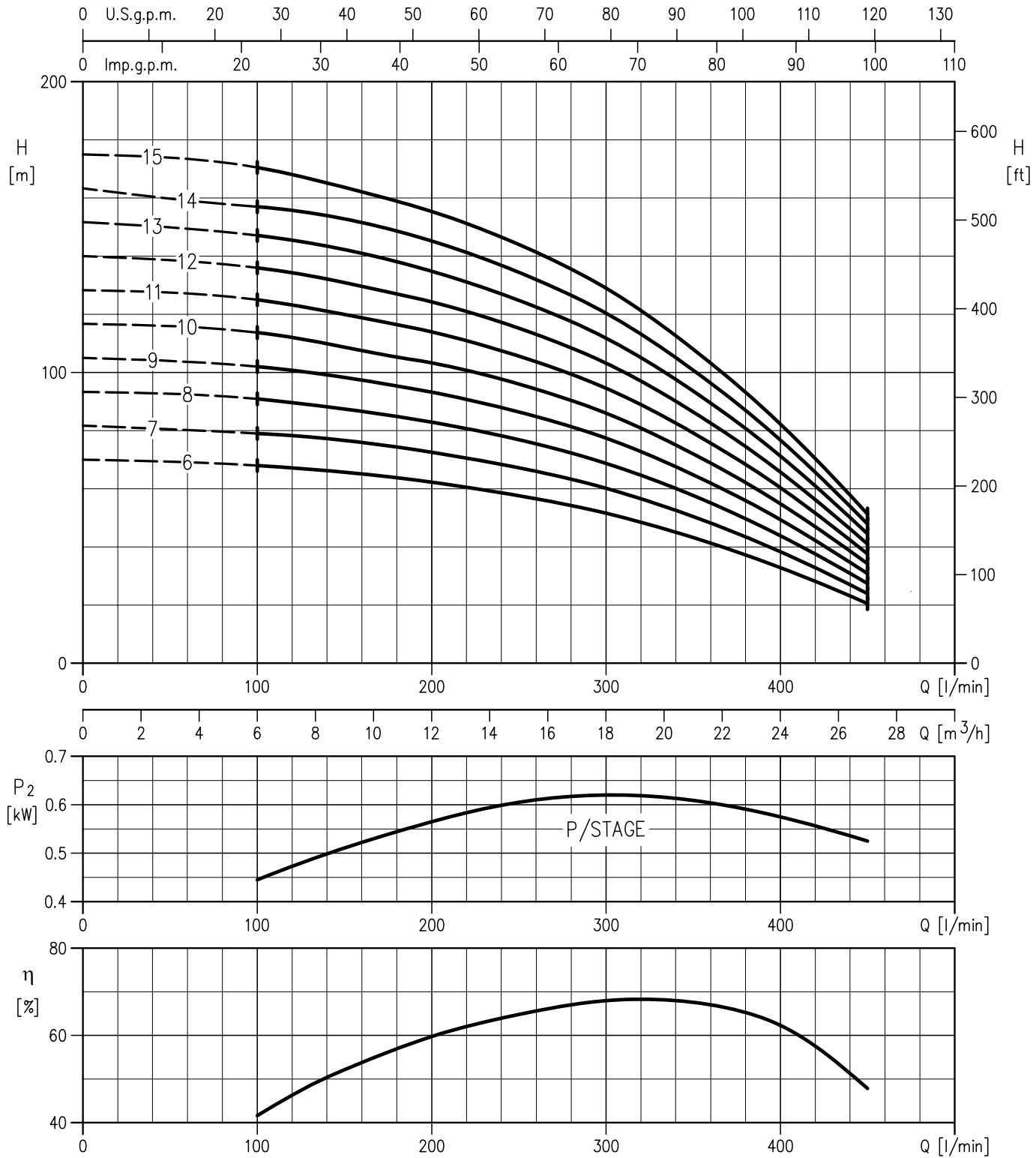


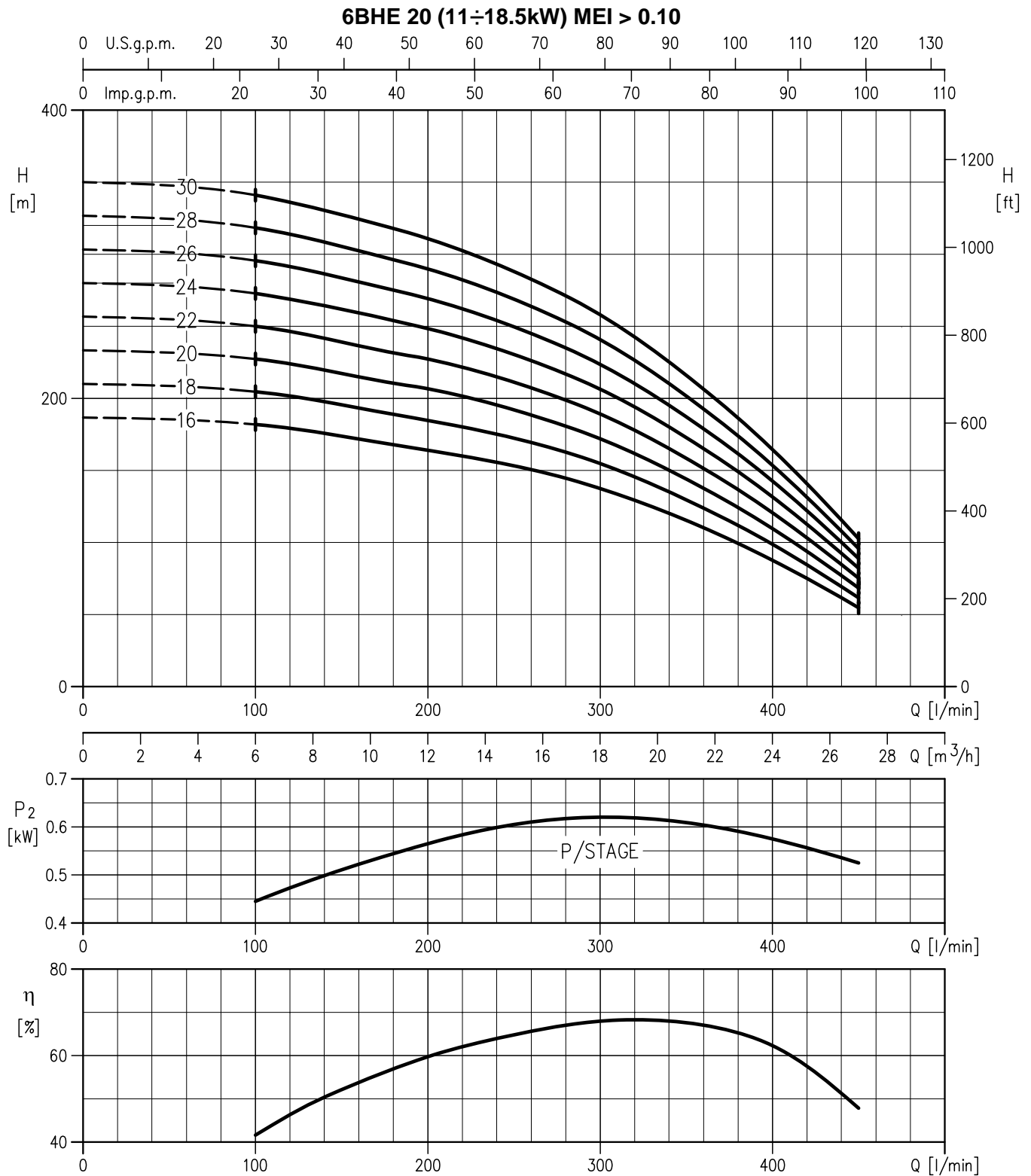
6BHE 13 (30 kW) MEI > 0.10

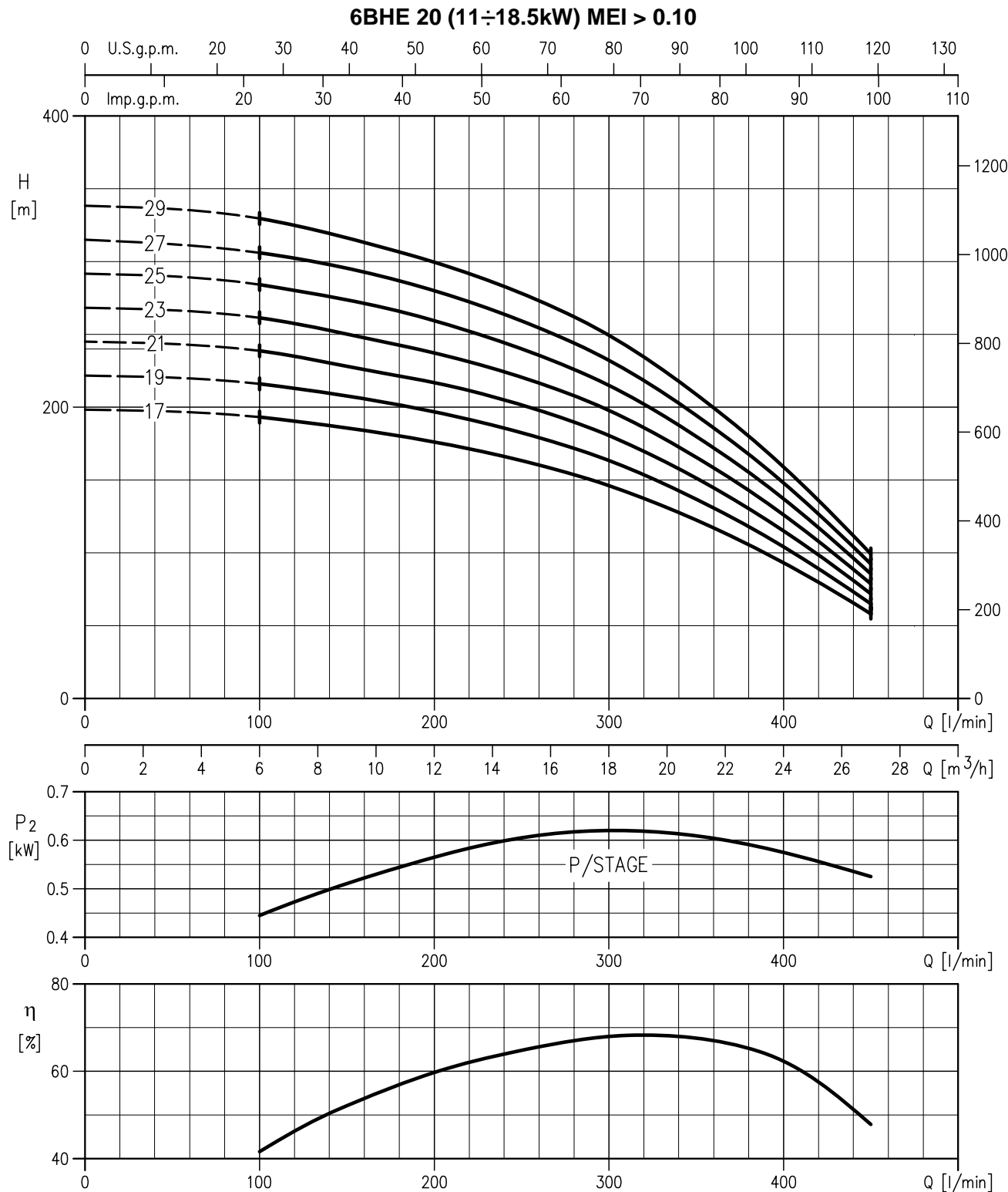




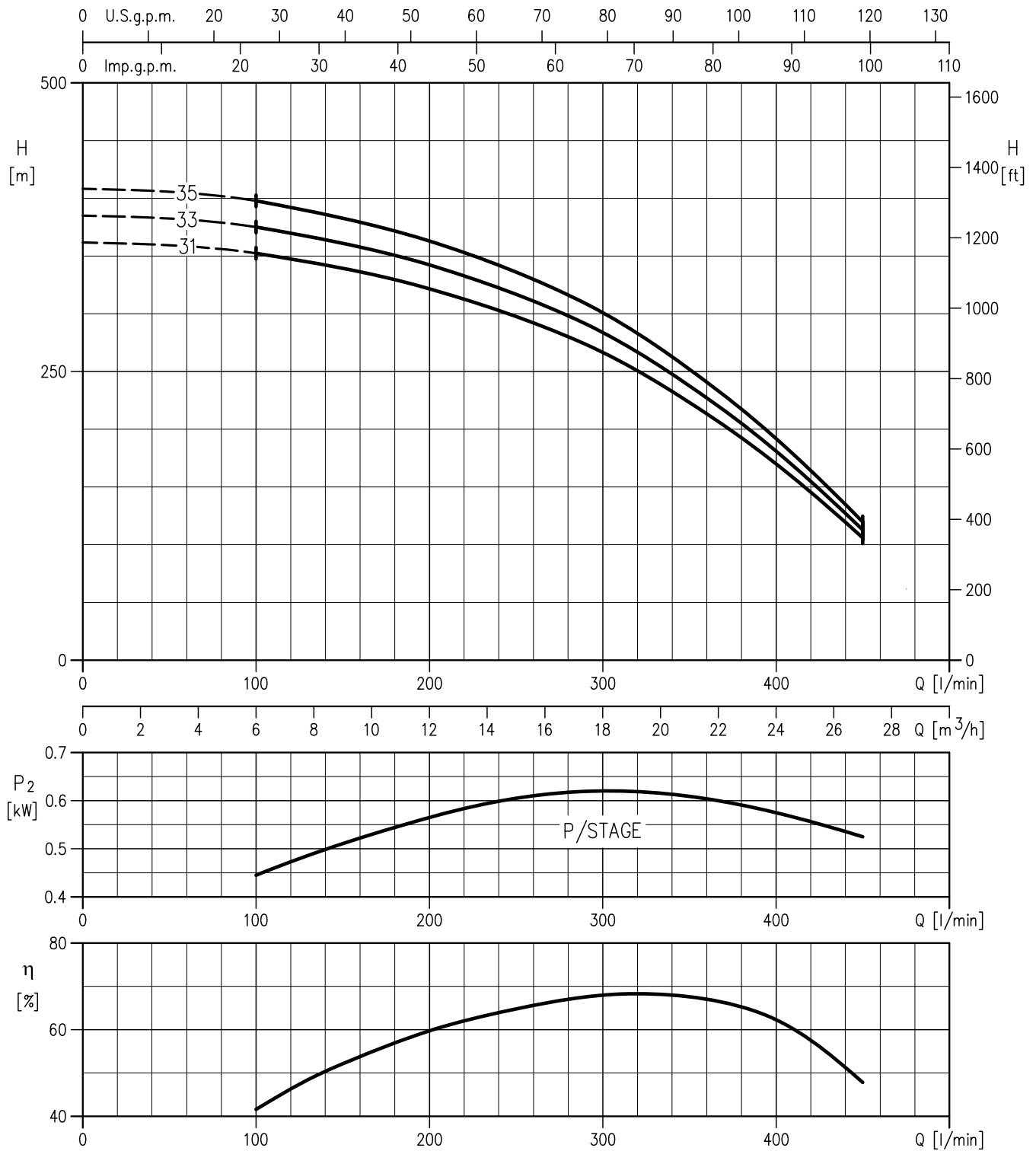
6BHE 20 (4÷9.3kW) MEI > 0.10

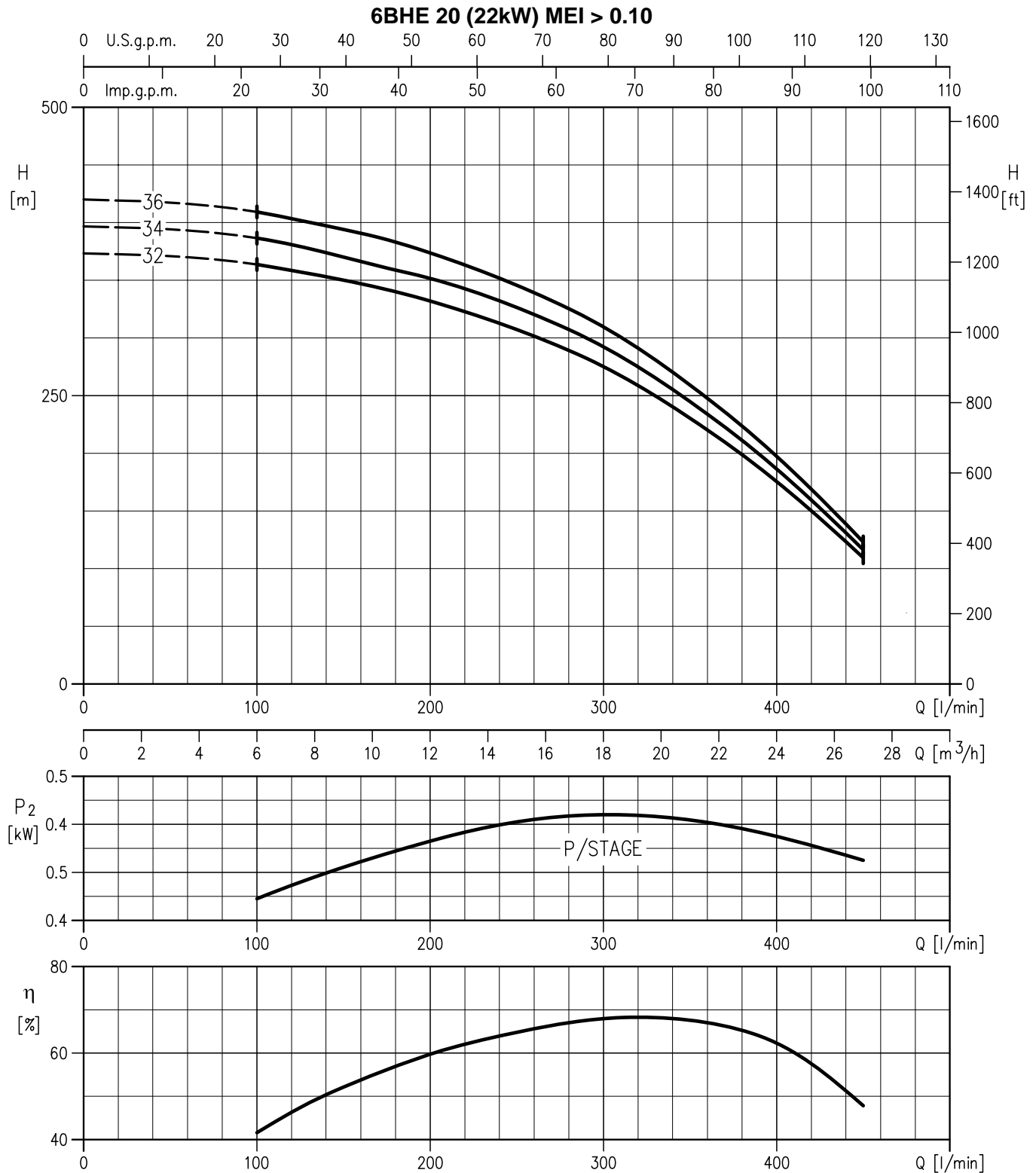




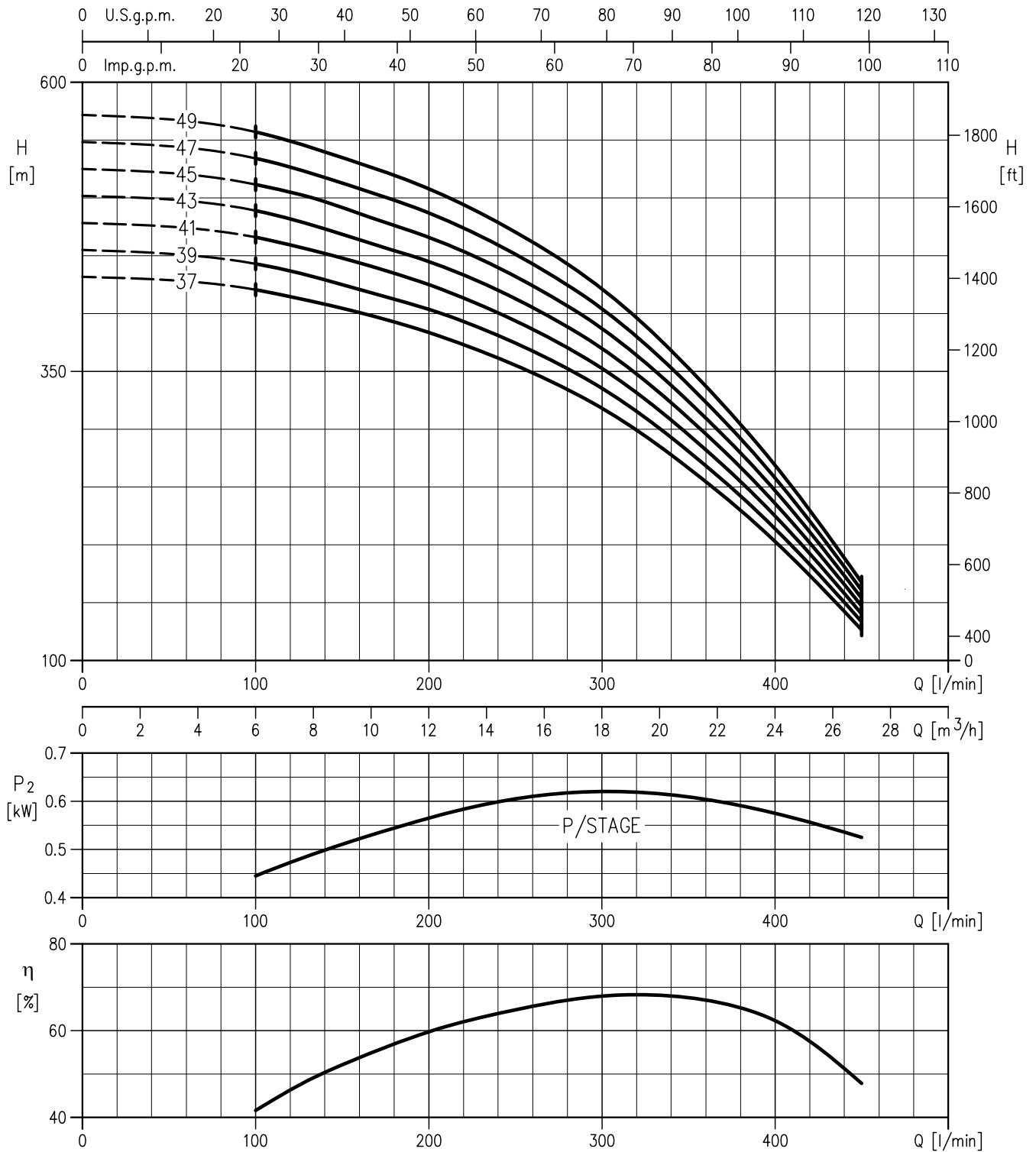


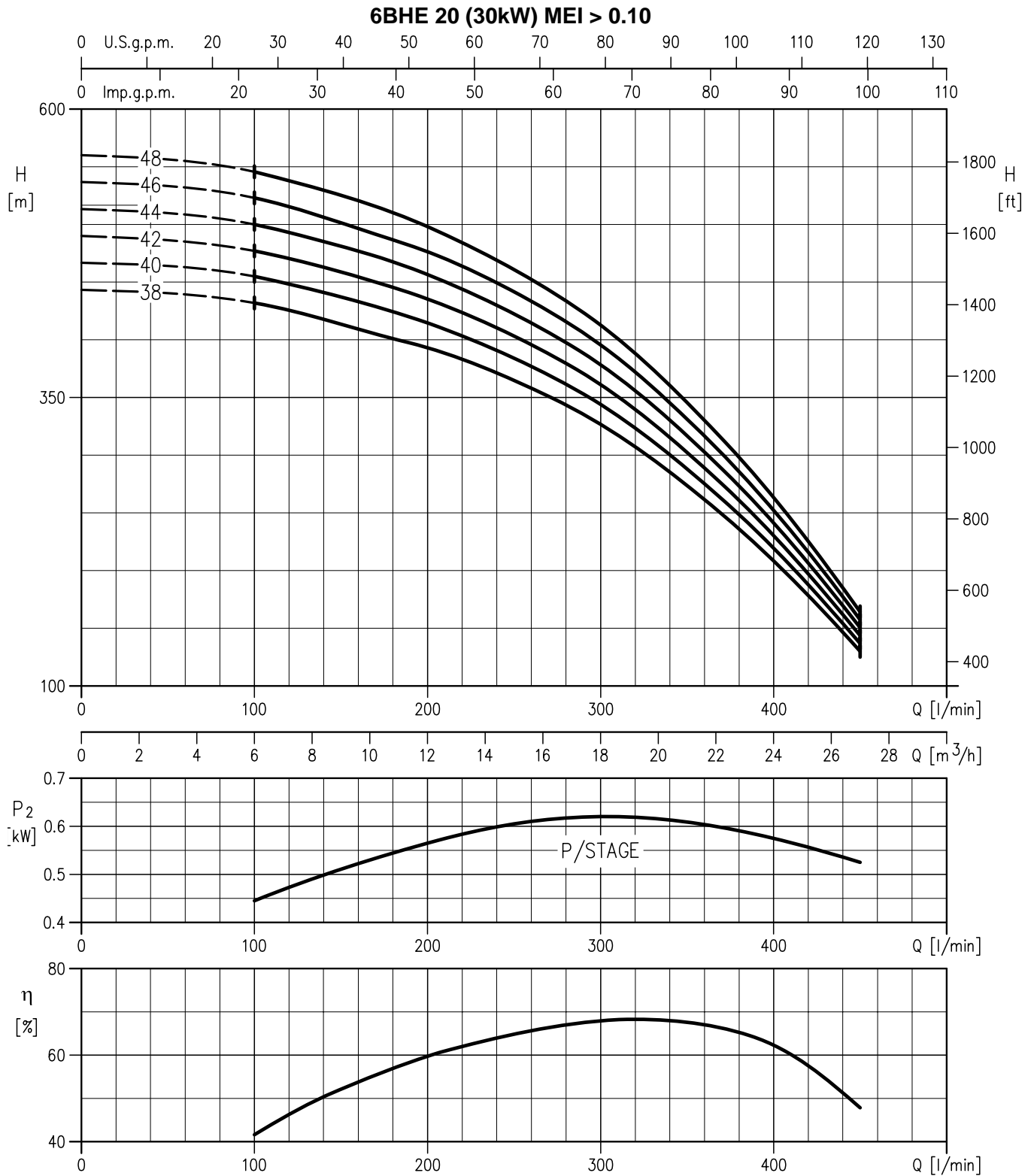
6BHE 20 (22kW) MEI > 0.10

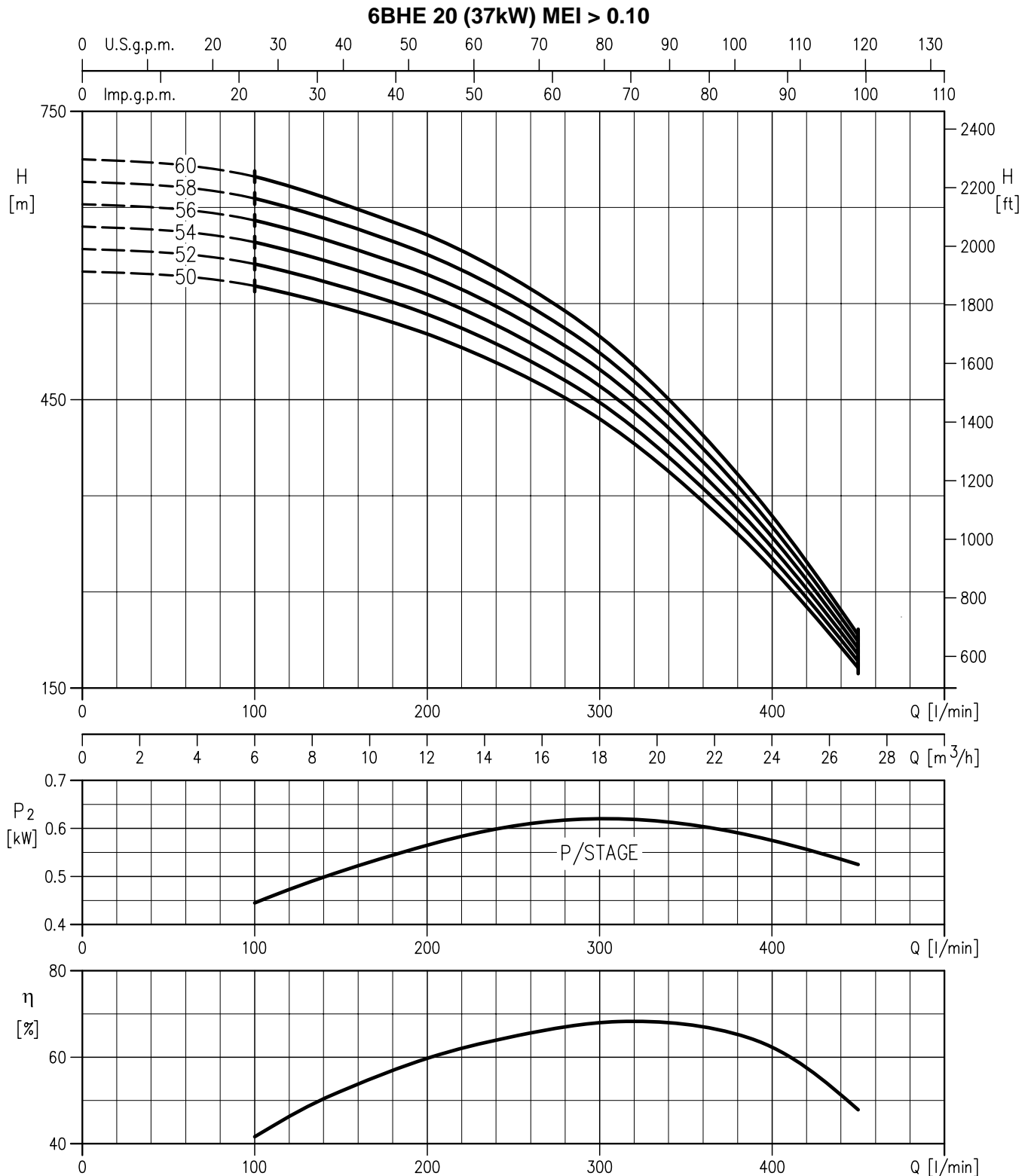


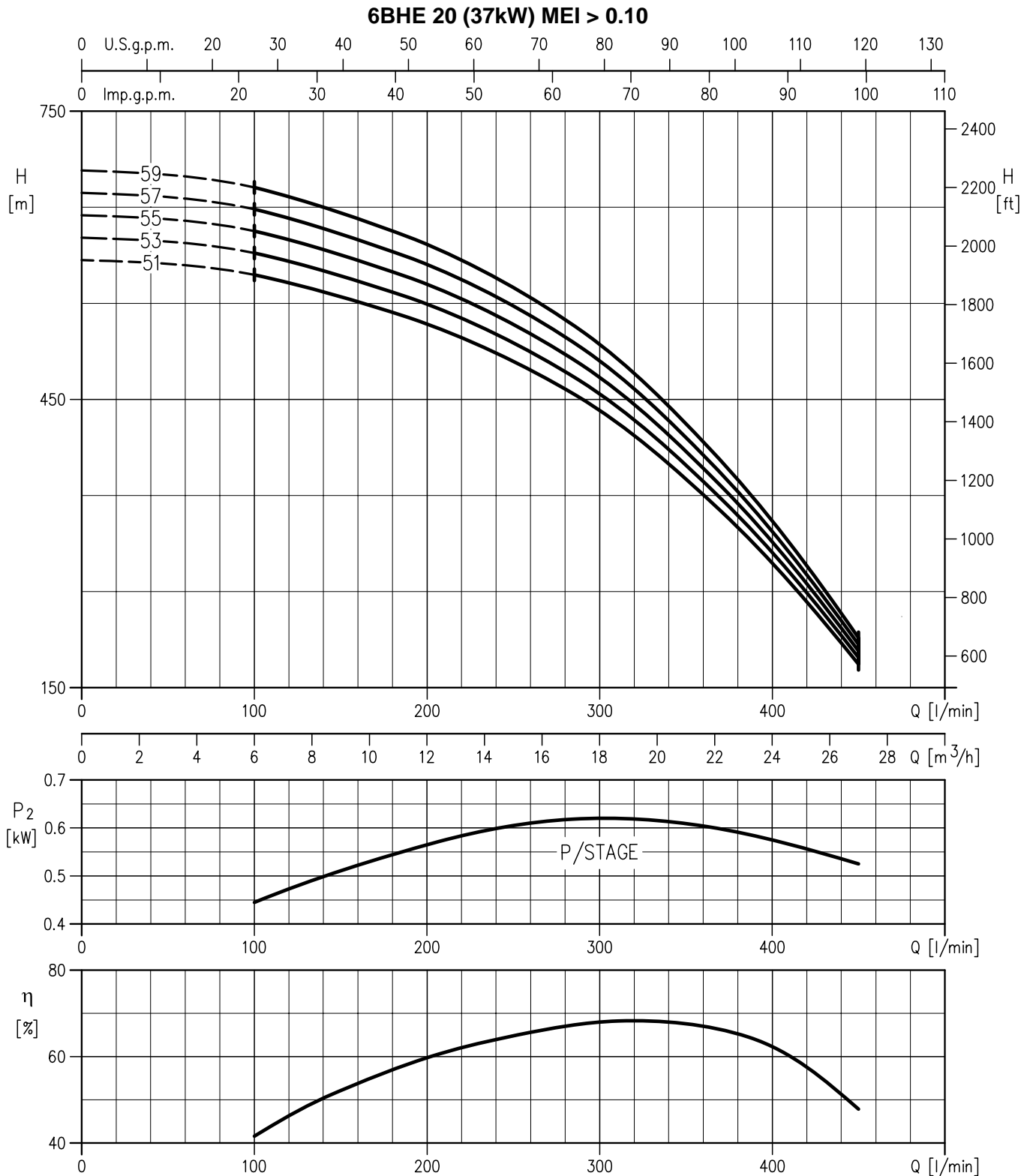


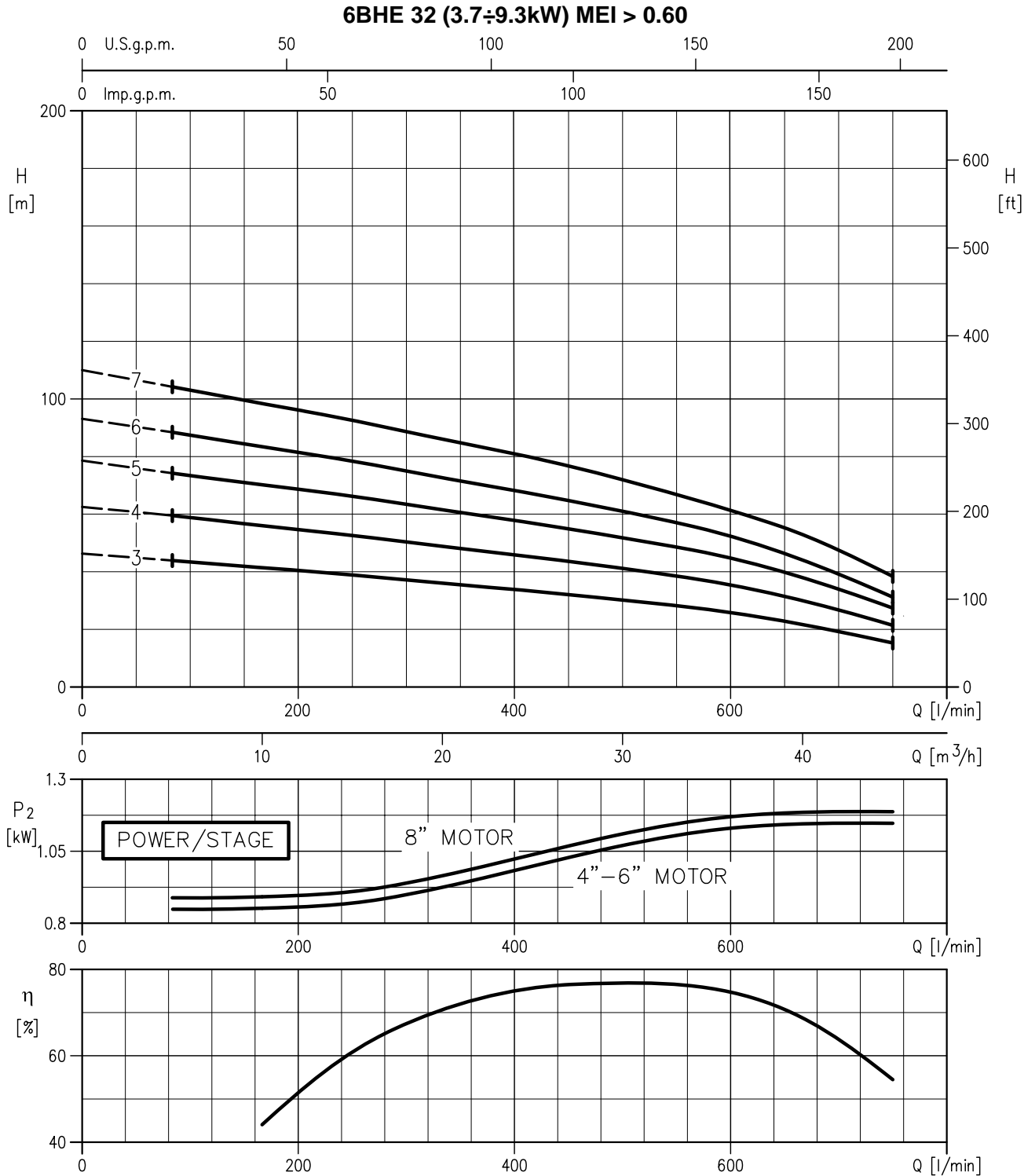
6BHE 20 (30kW) MEI > 0.10

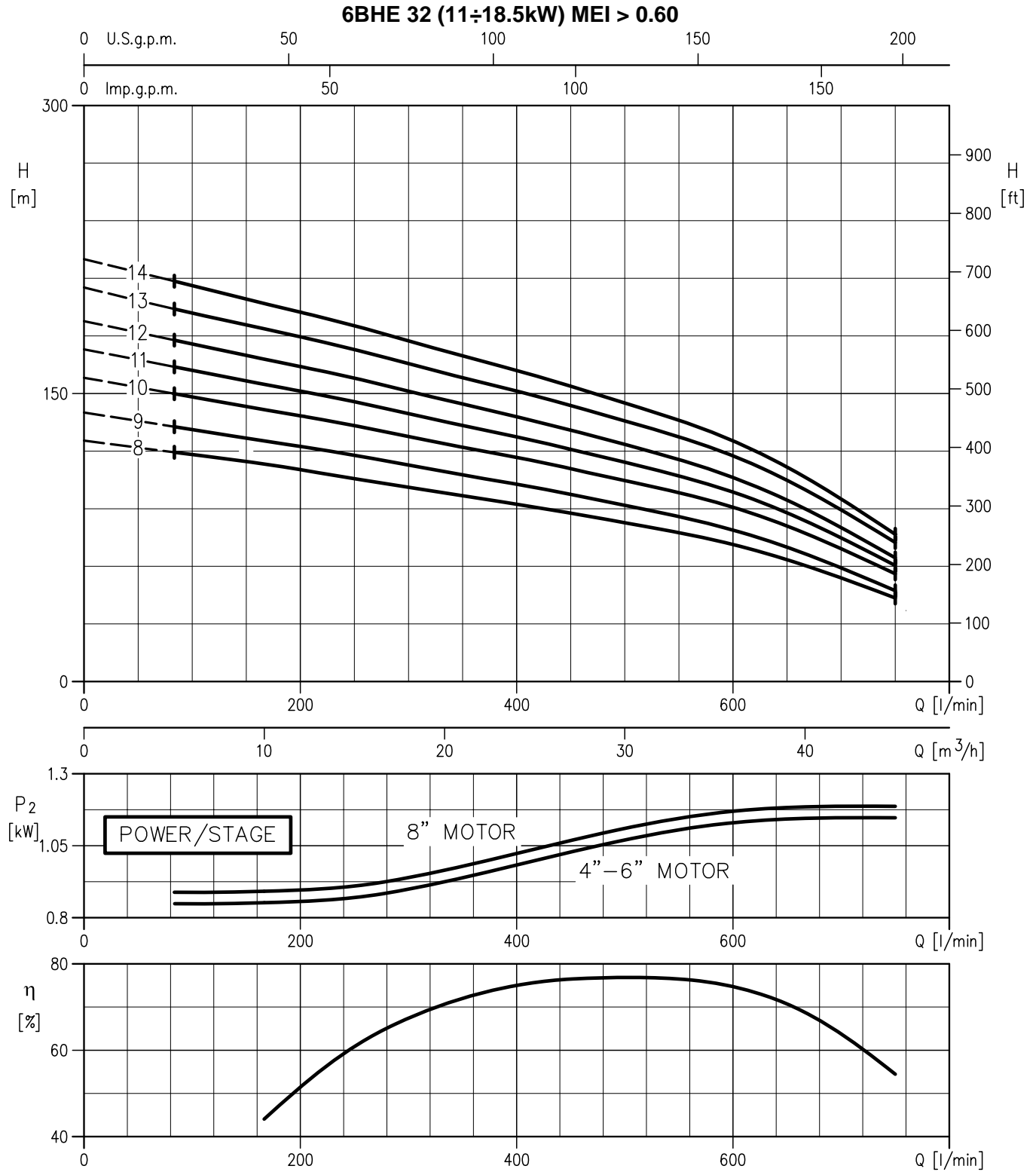


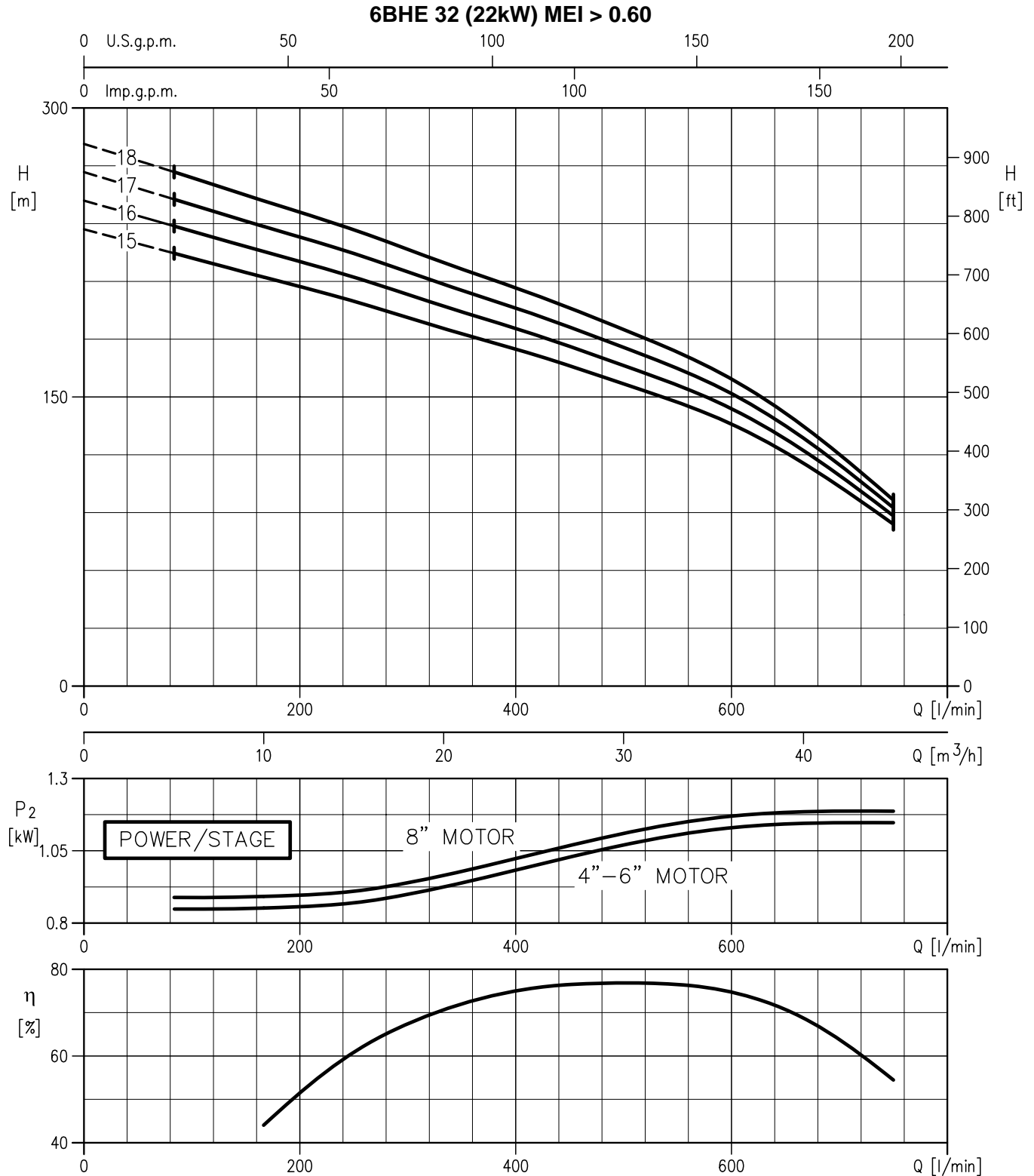


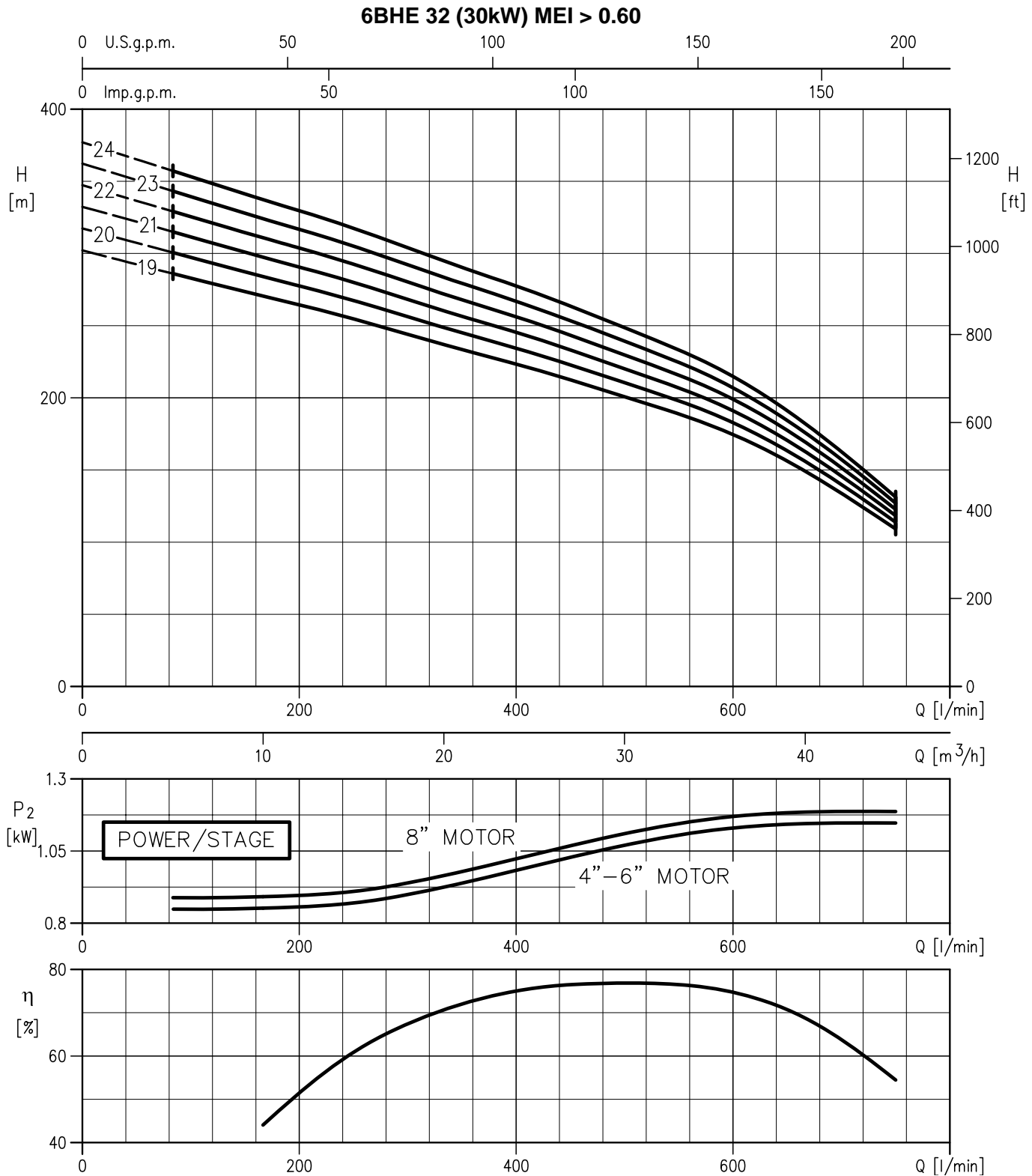




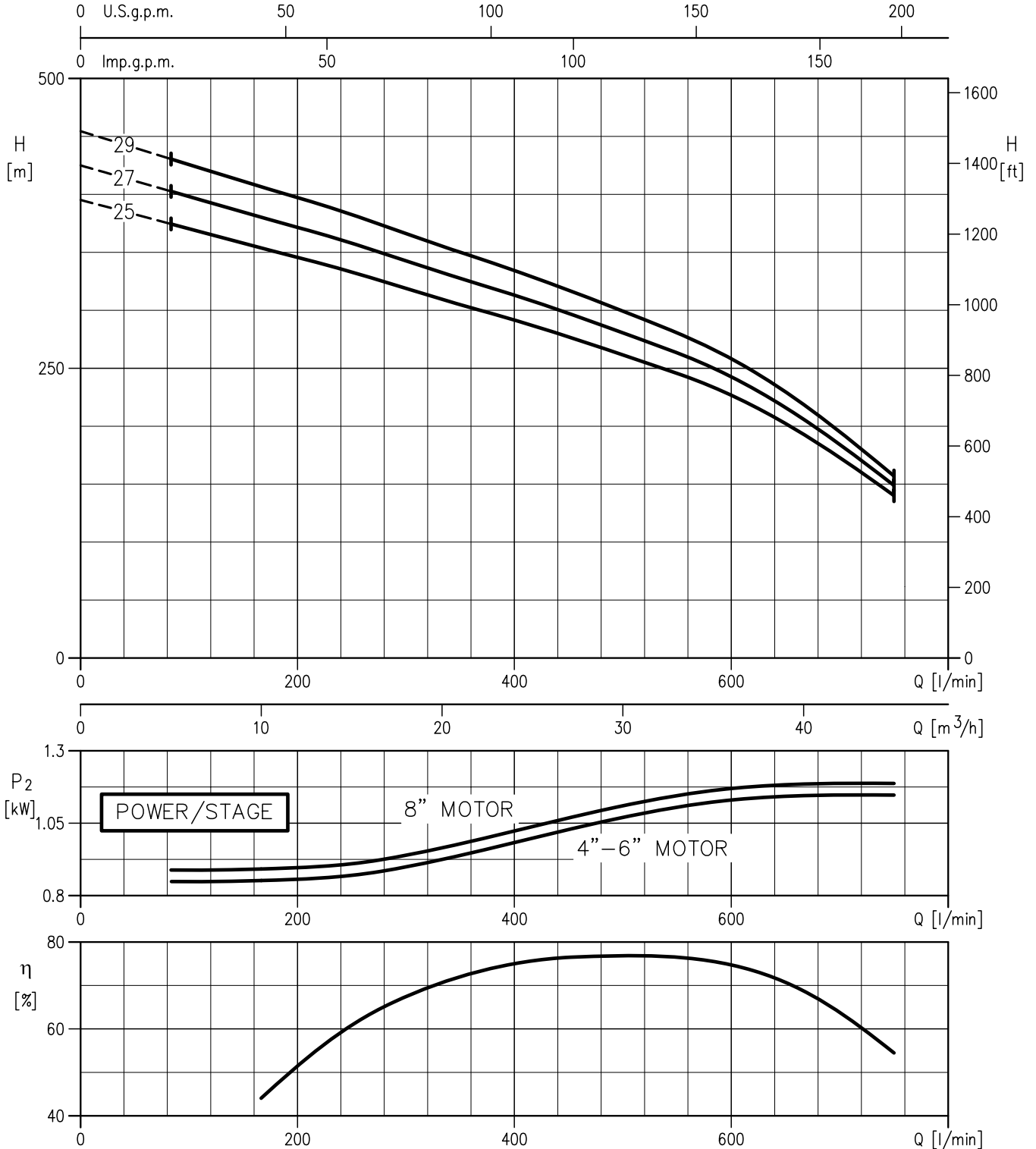


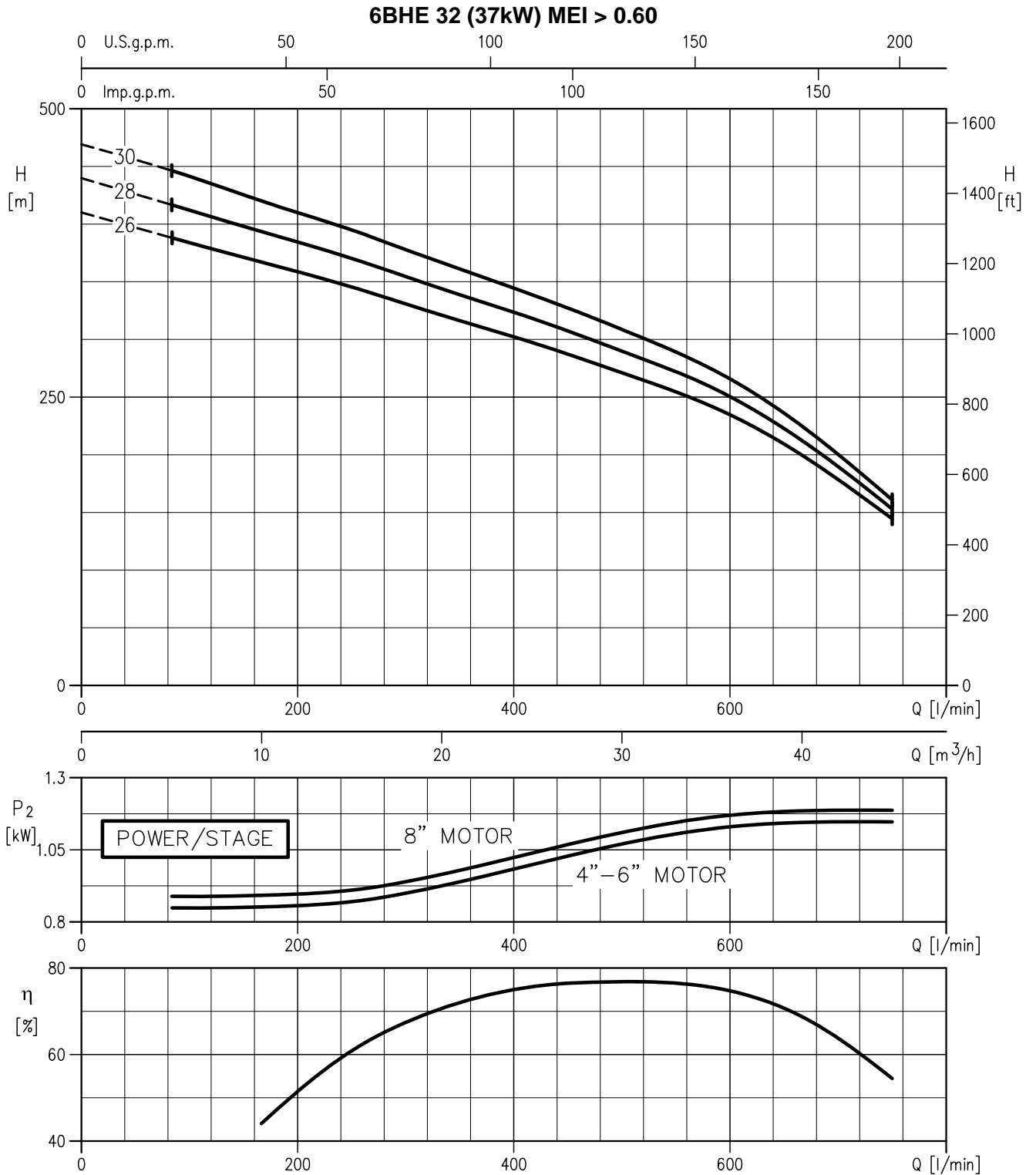


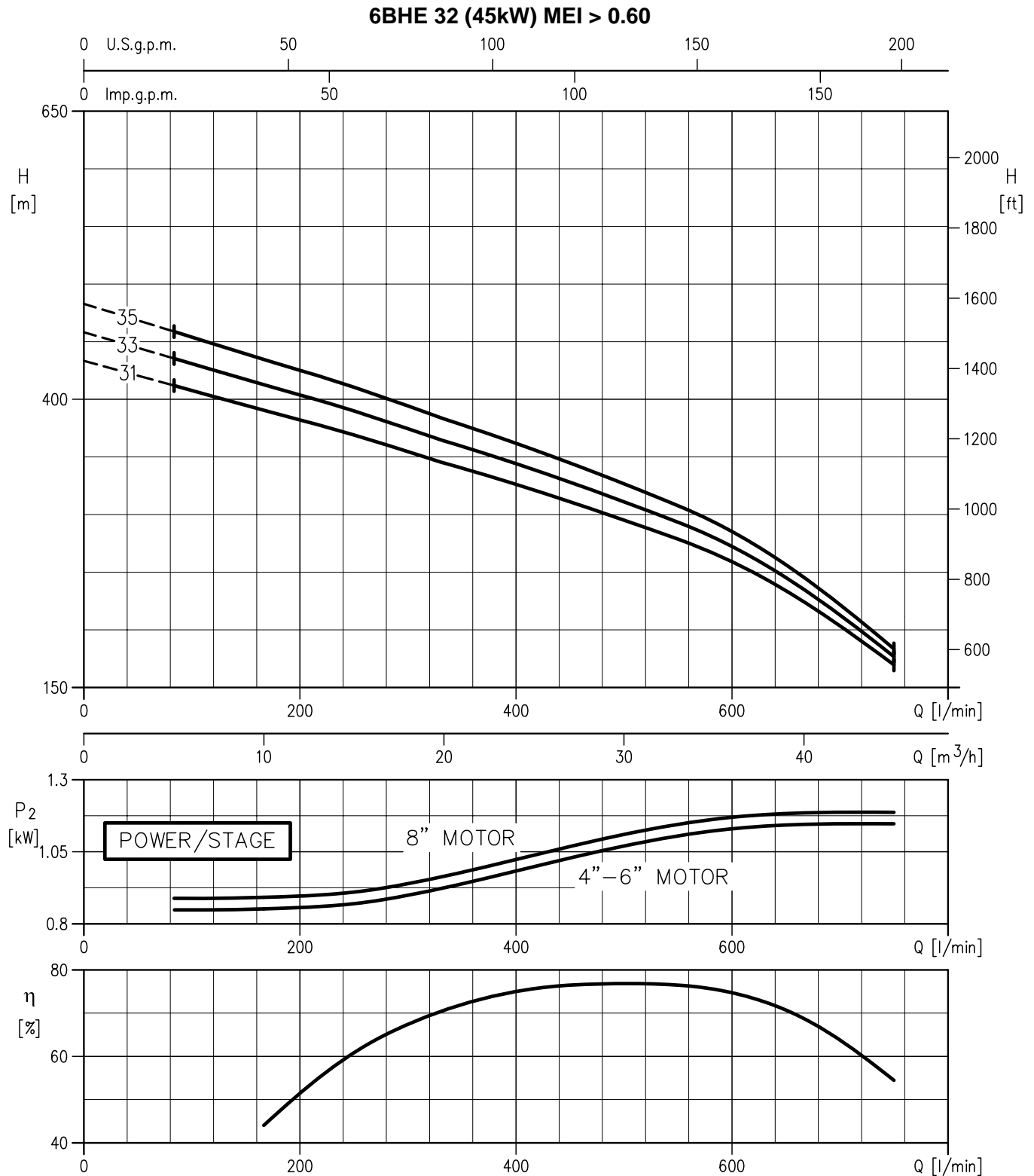


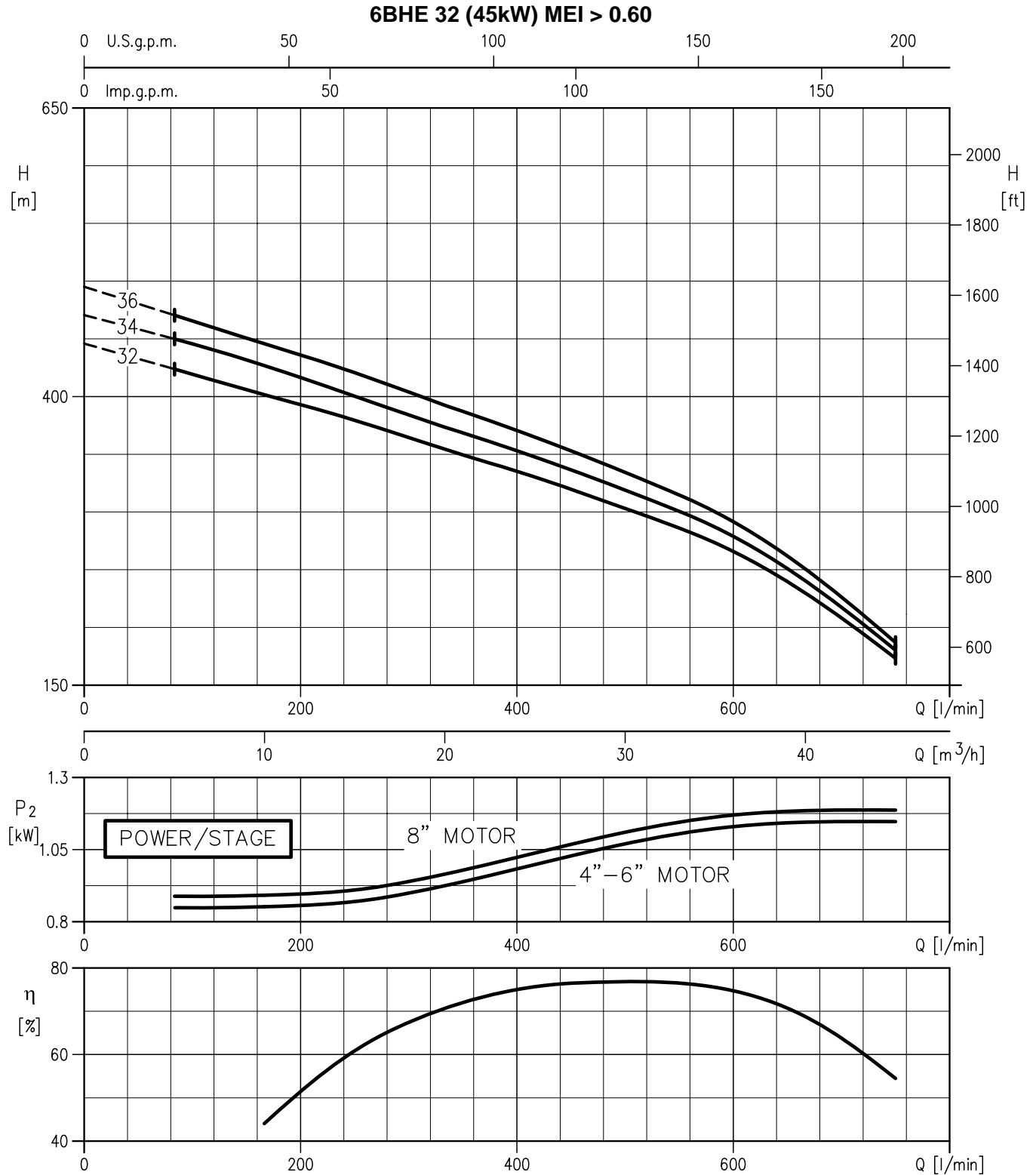


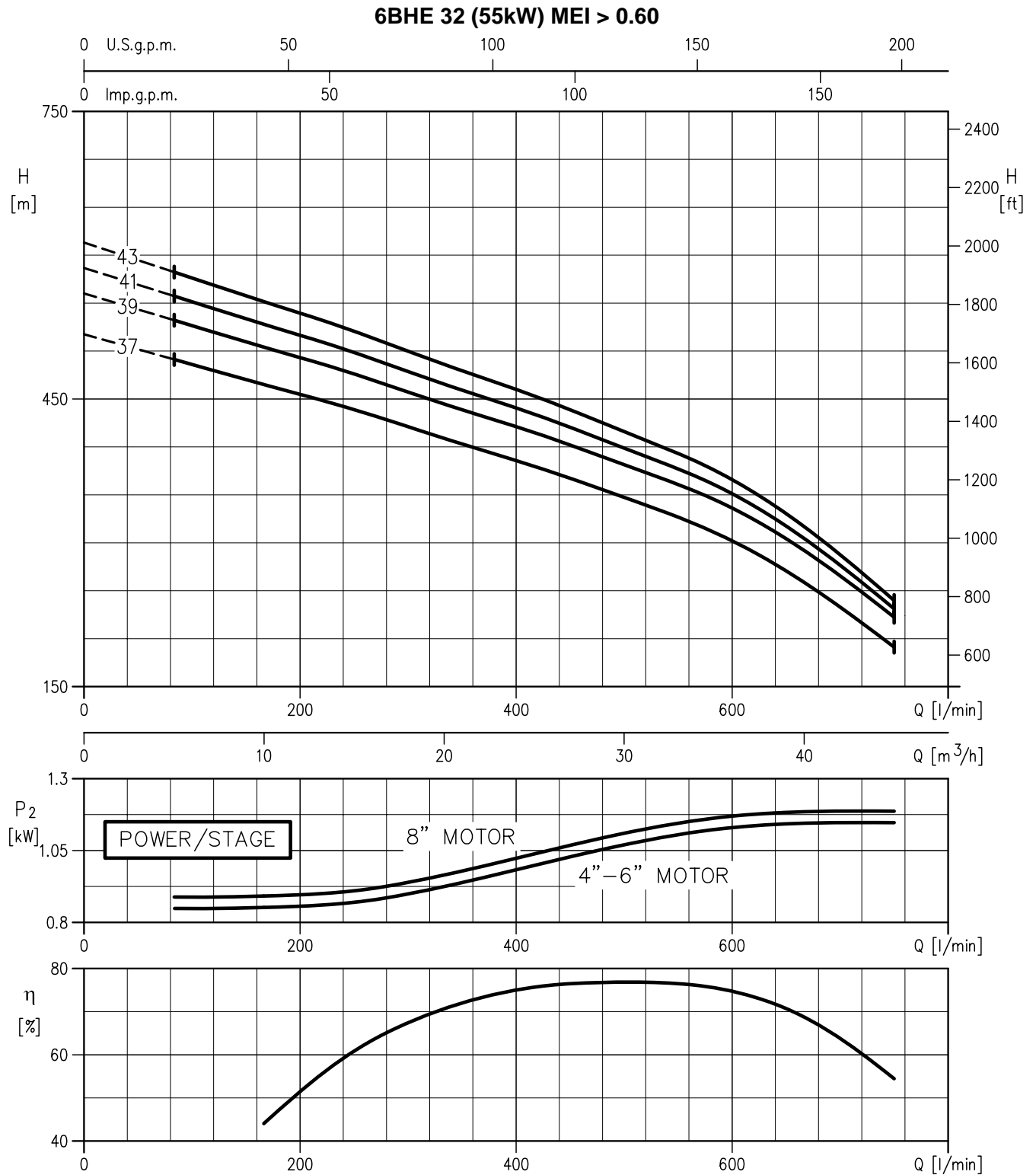
6BHE 32 (37kW) MEI > 0.60

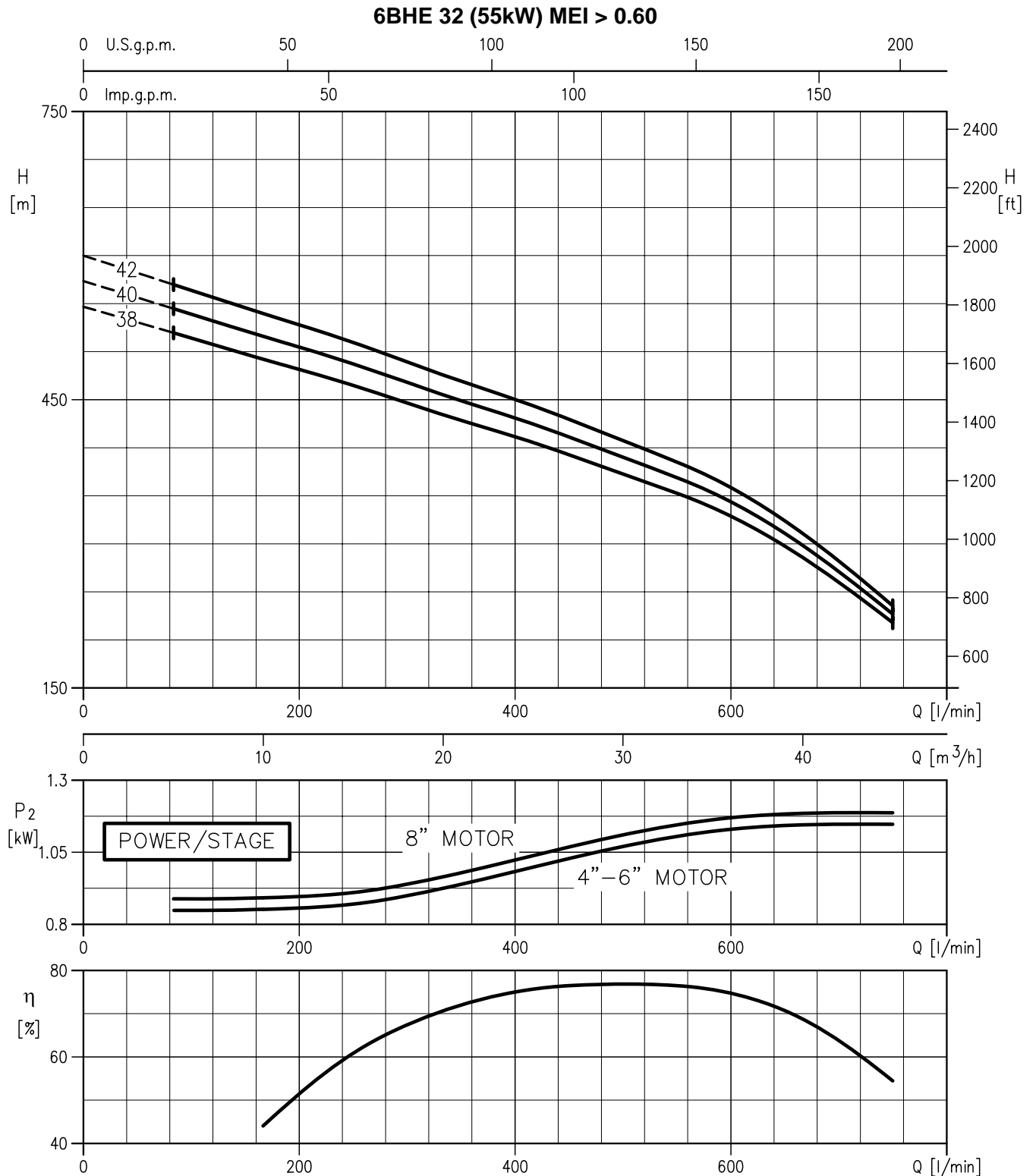


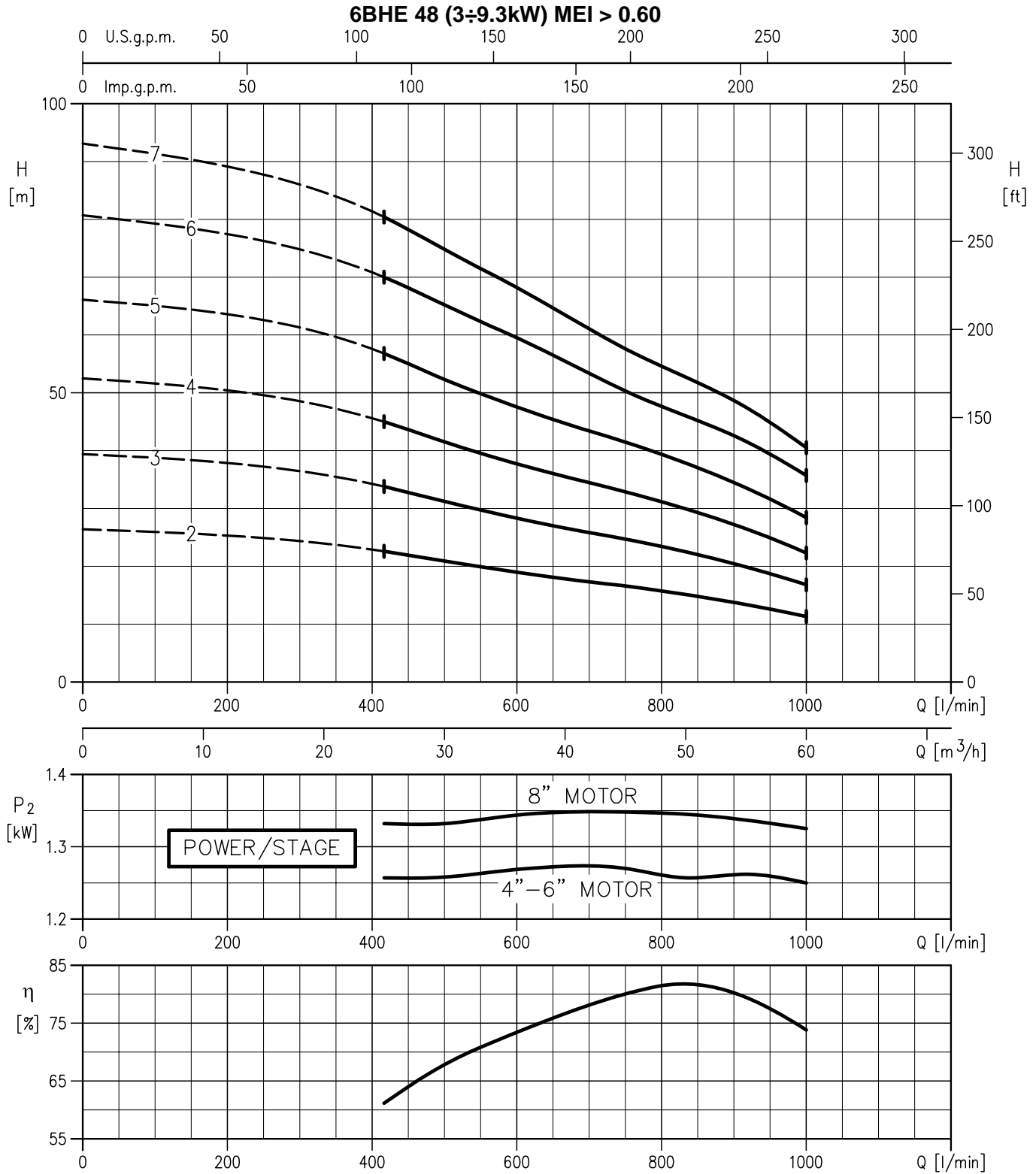


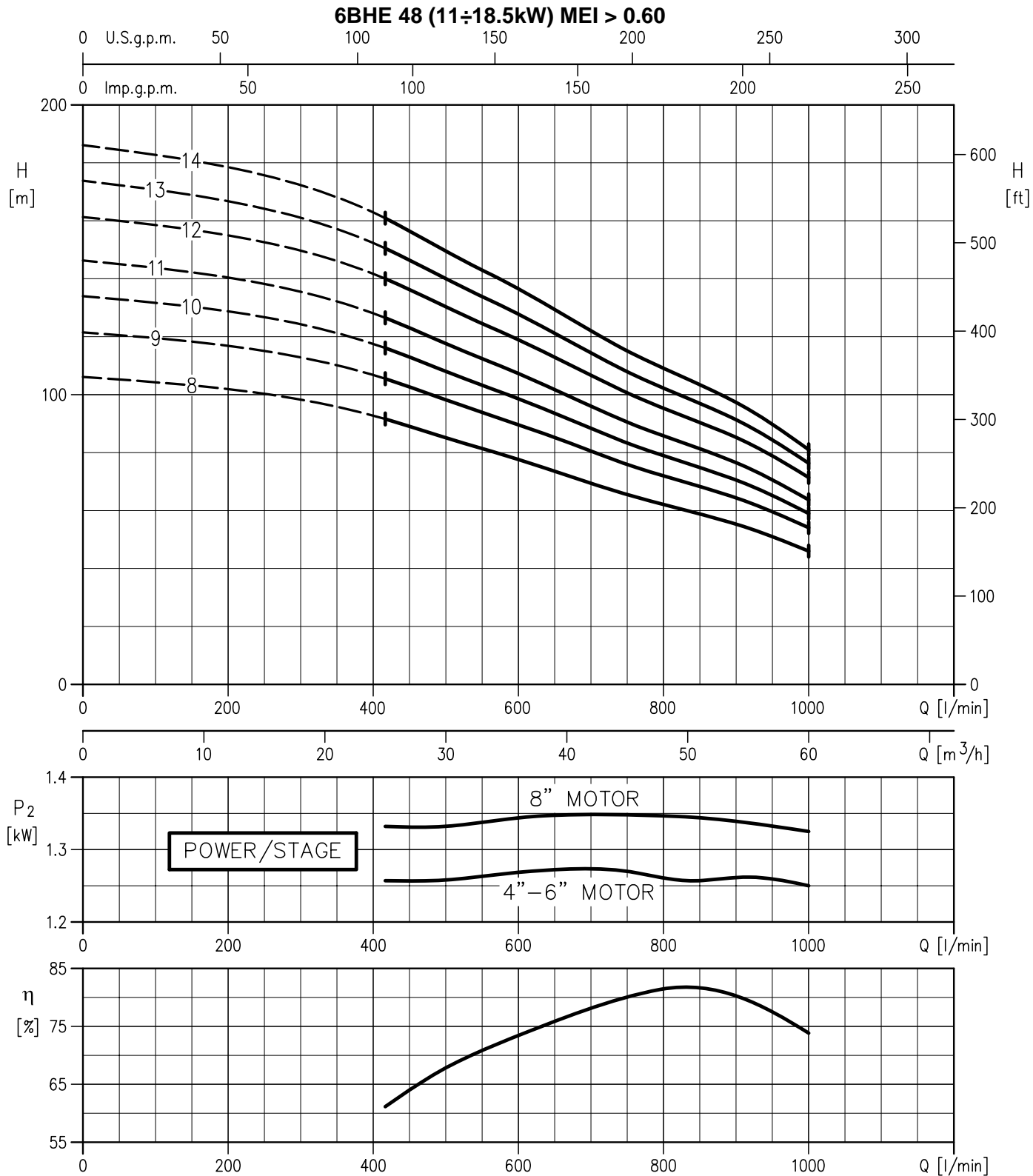


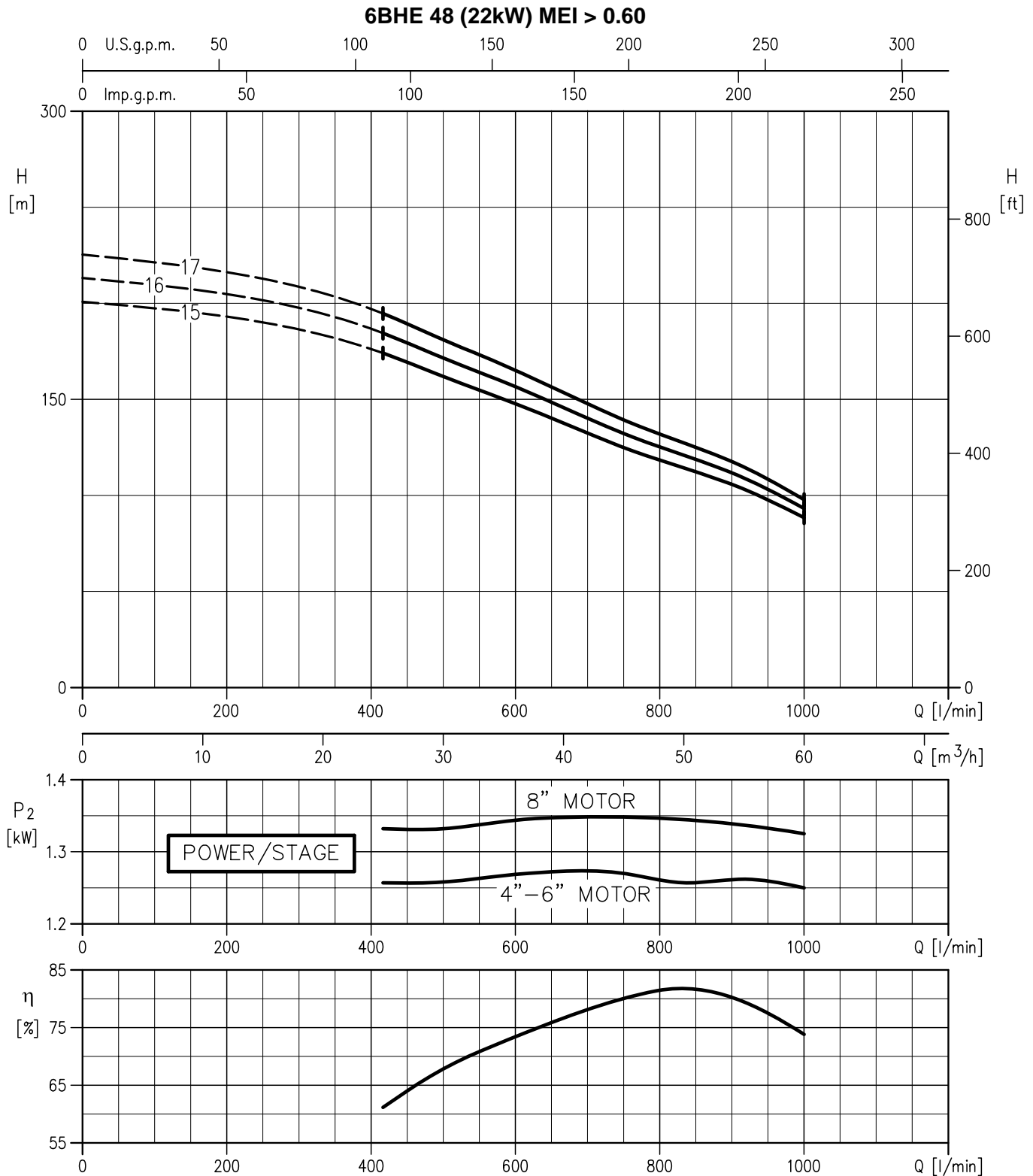


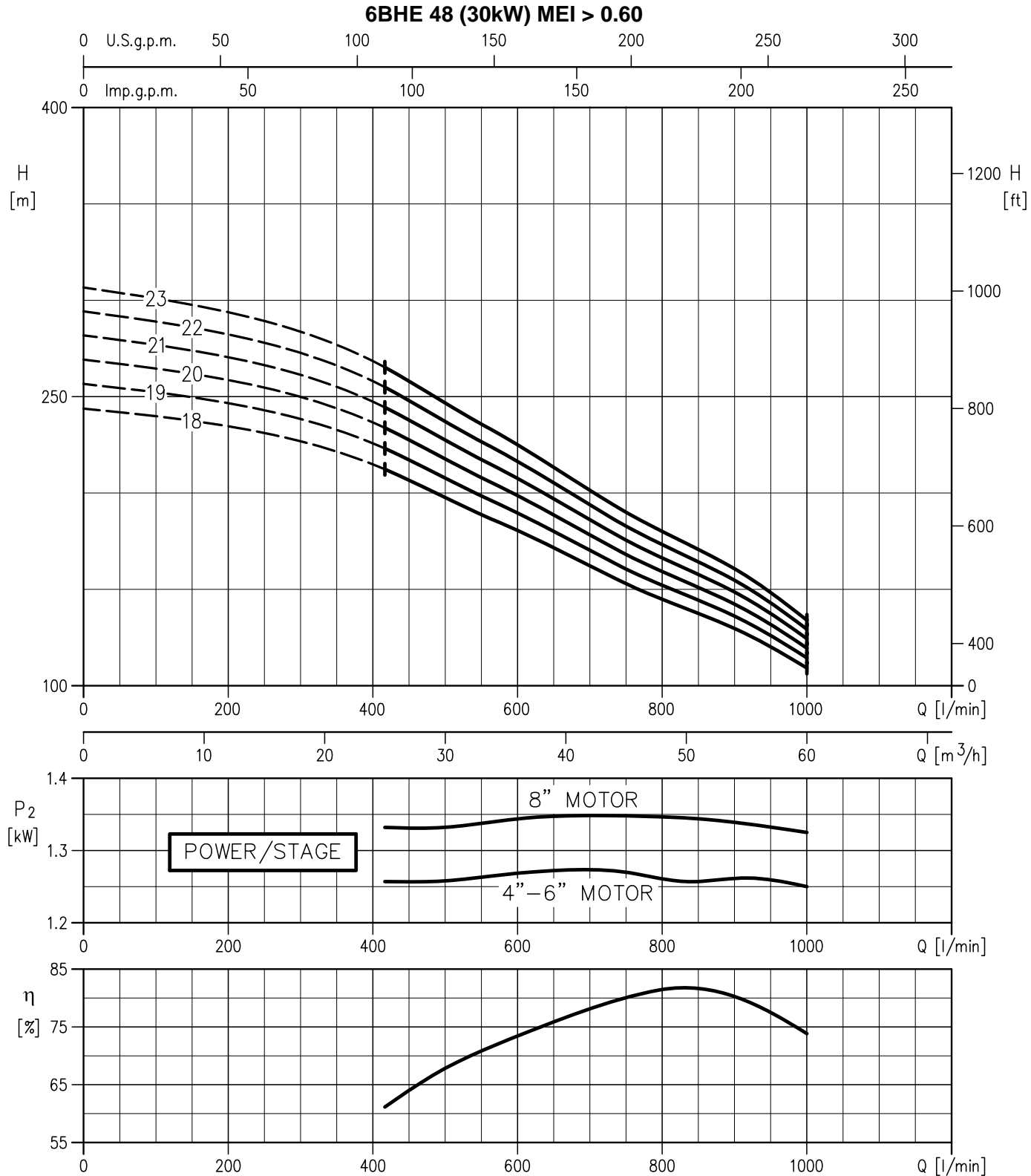




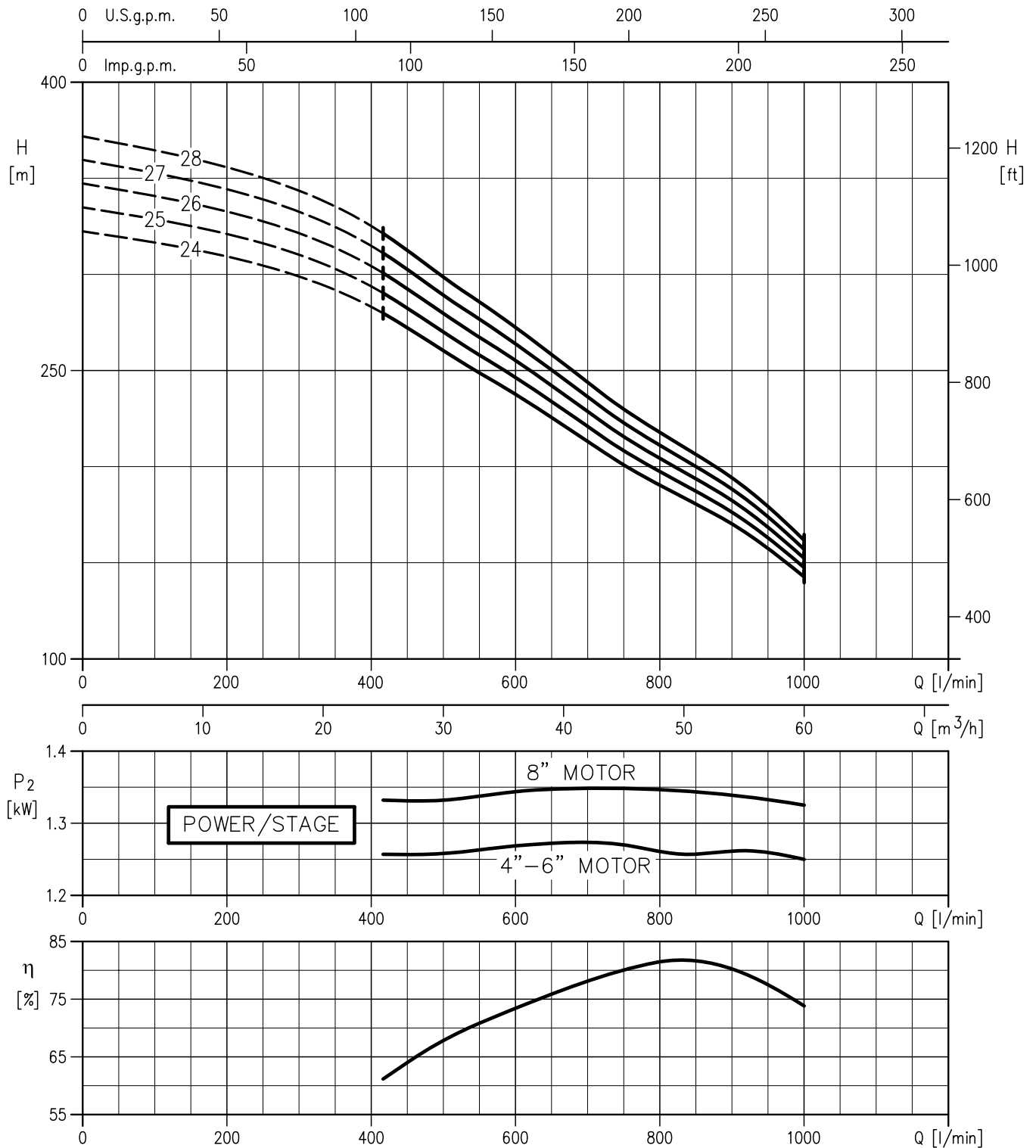


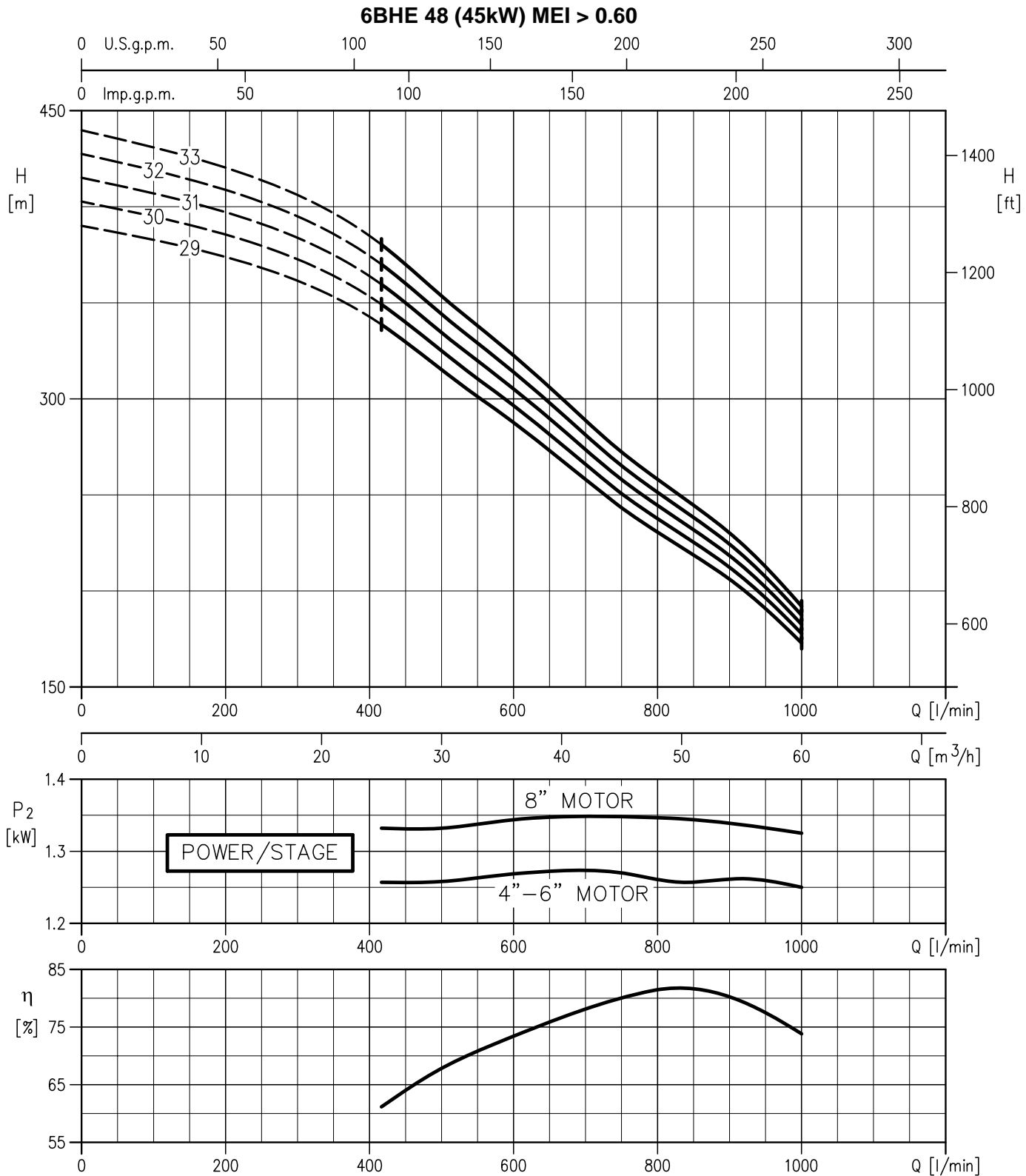


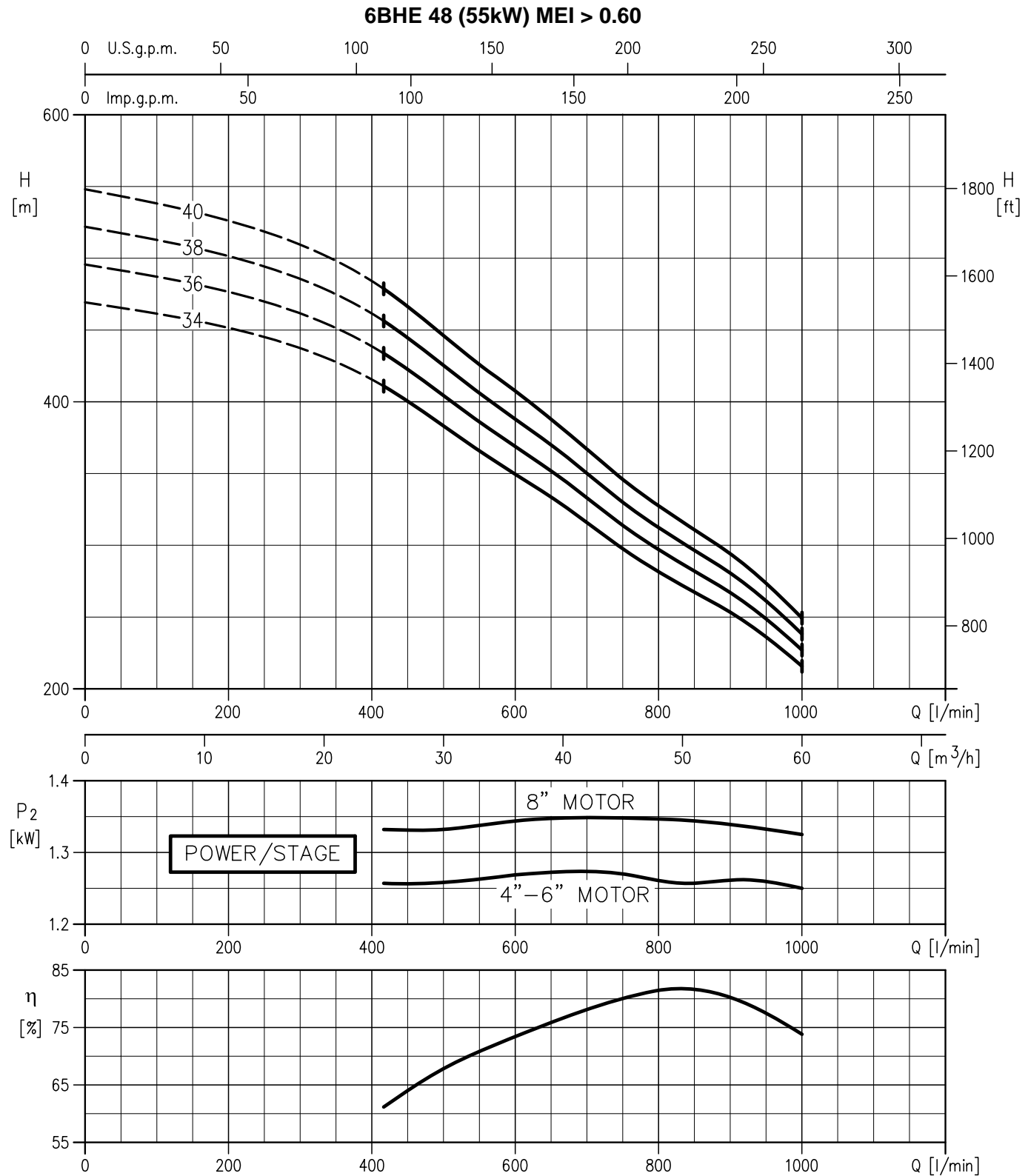


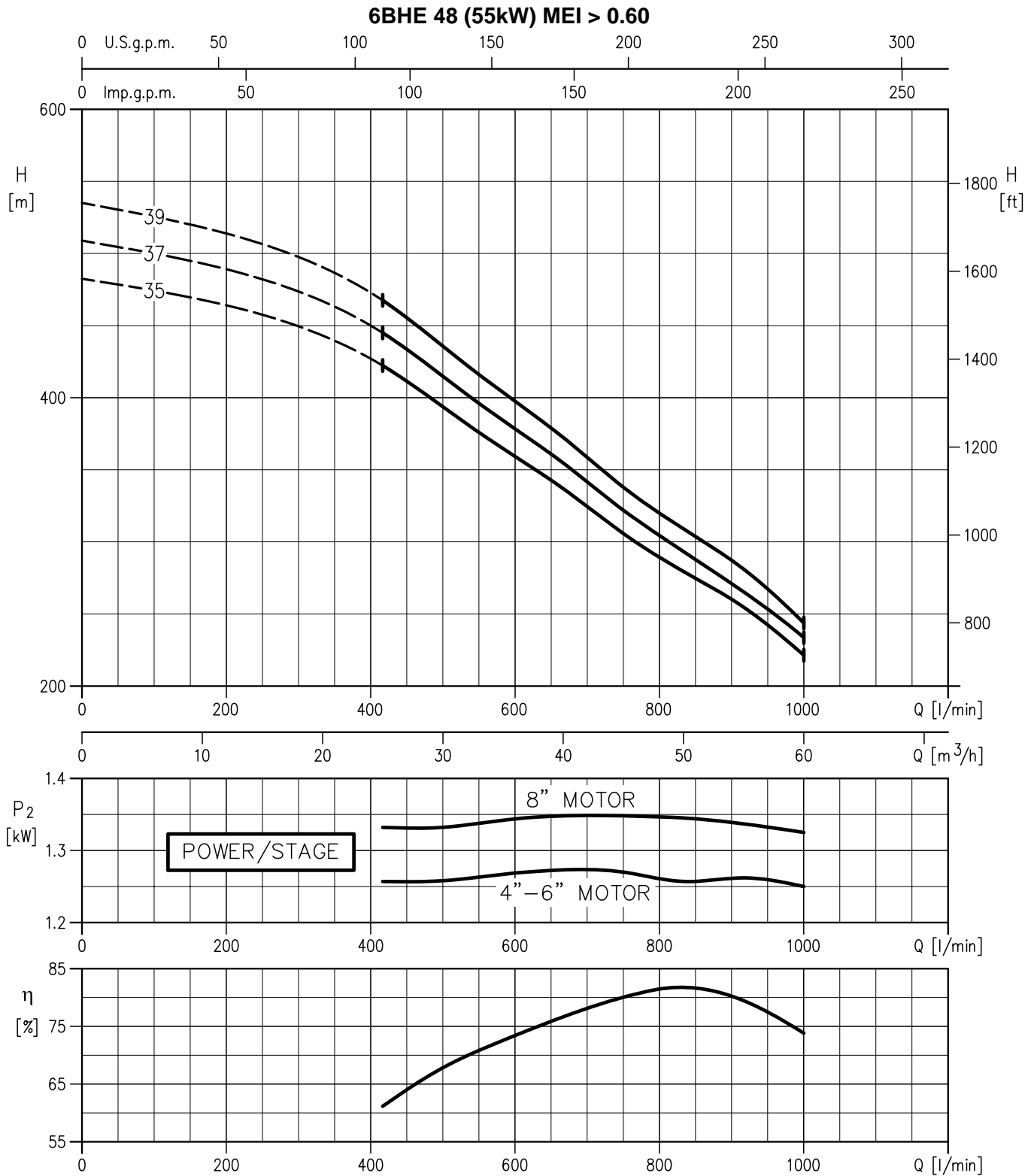


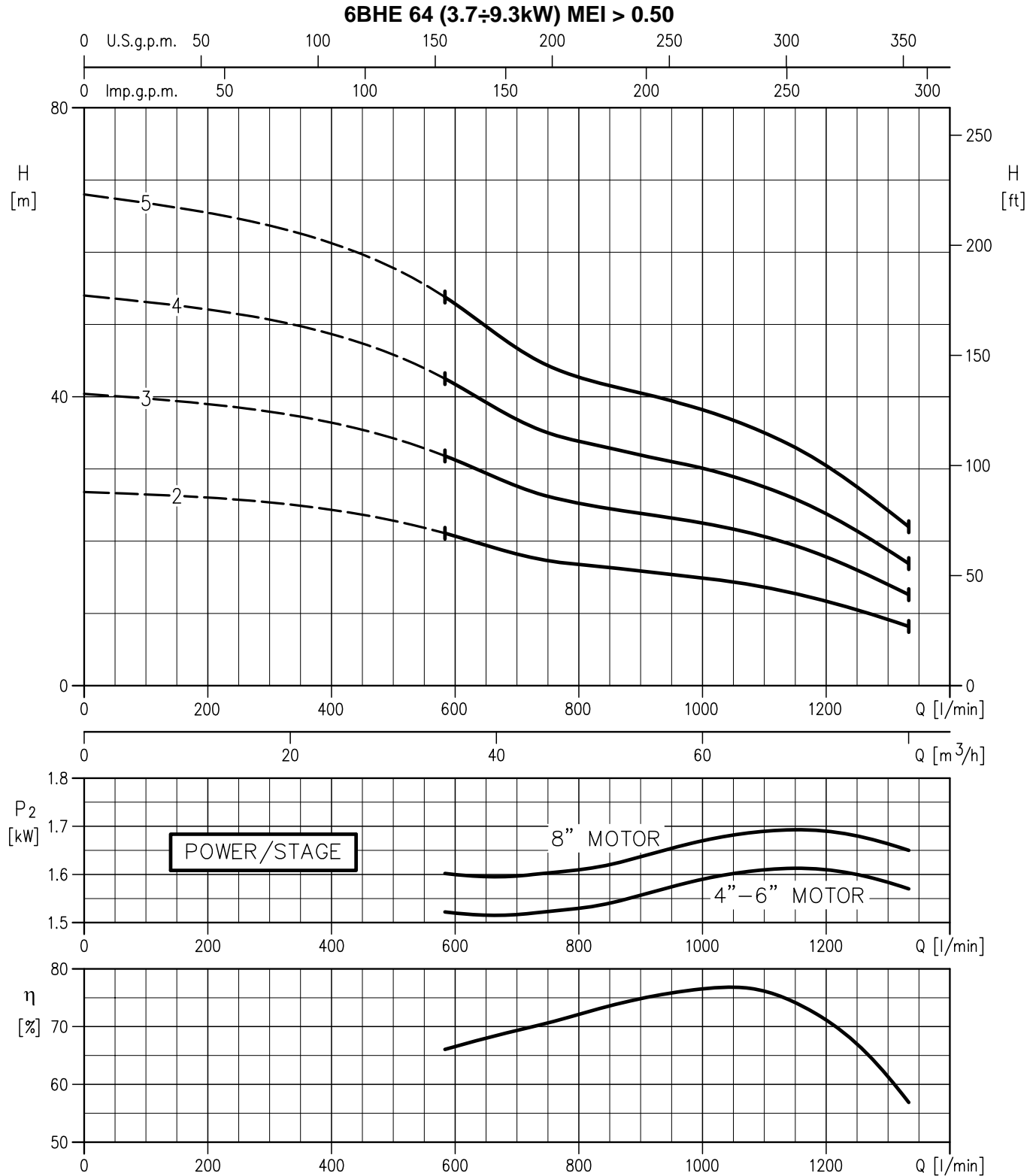
6BHE 48 (37kW) MEI > 0.60

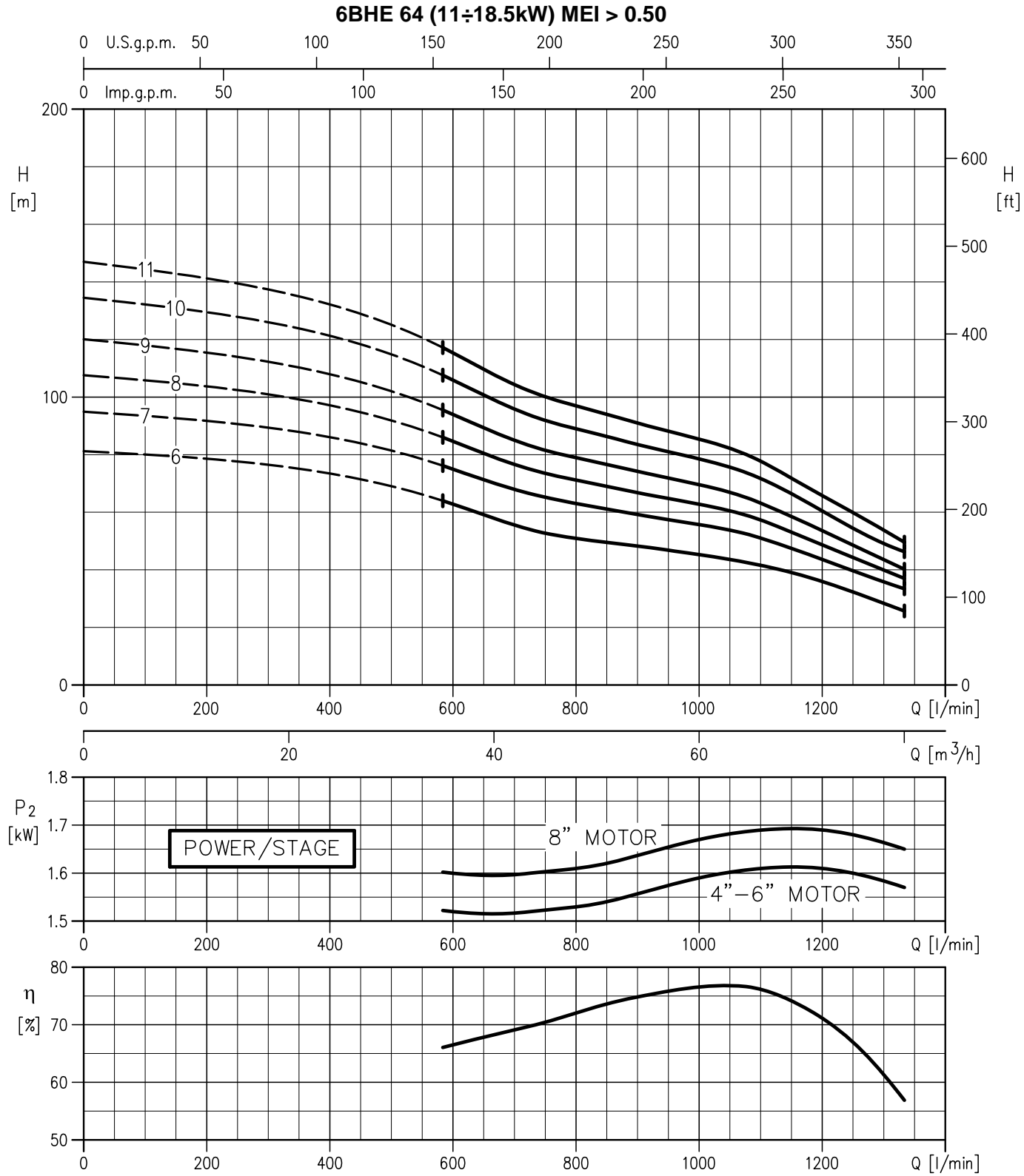


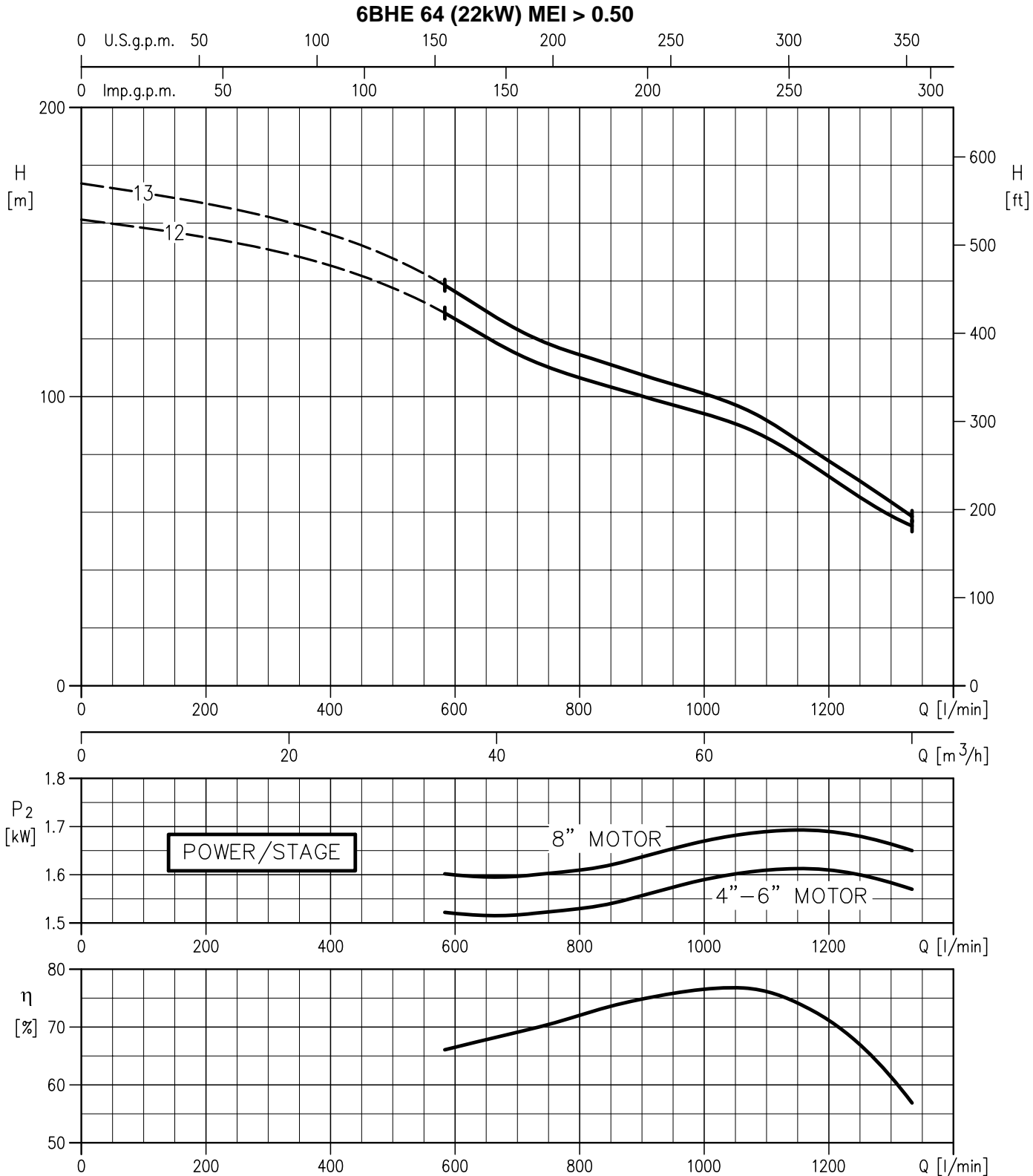


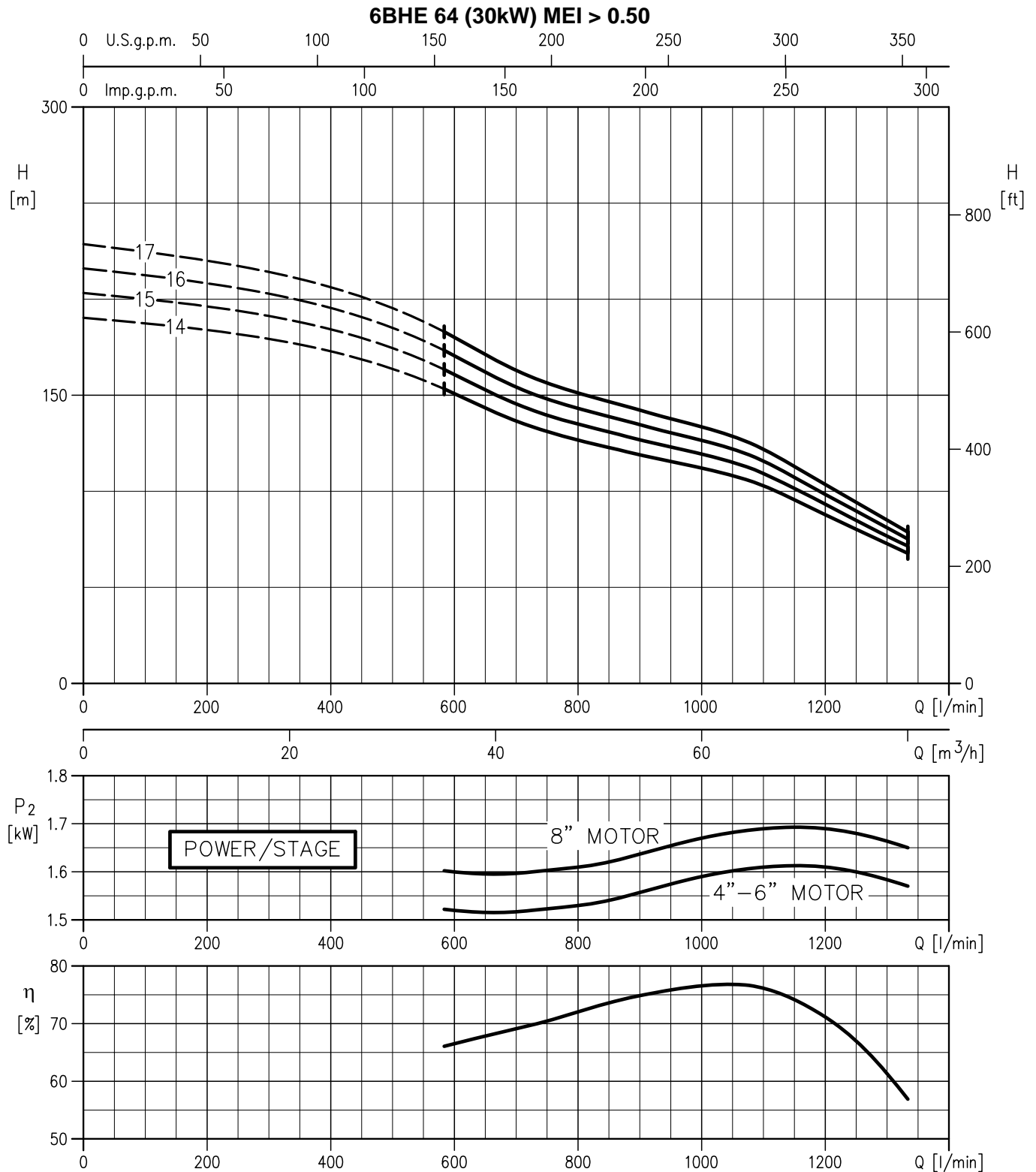


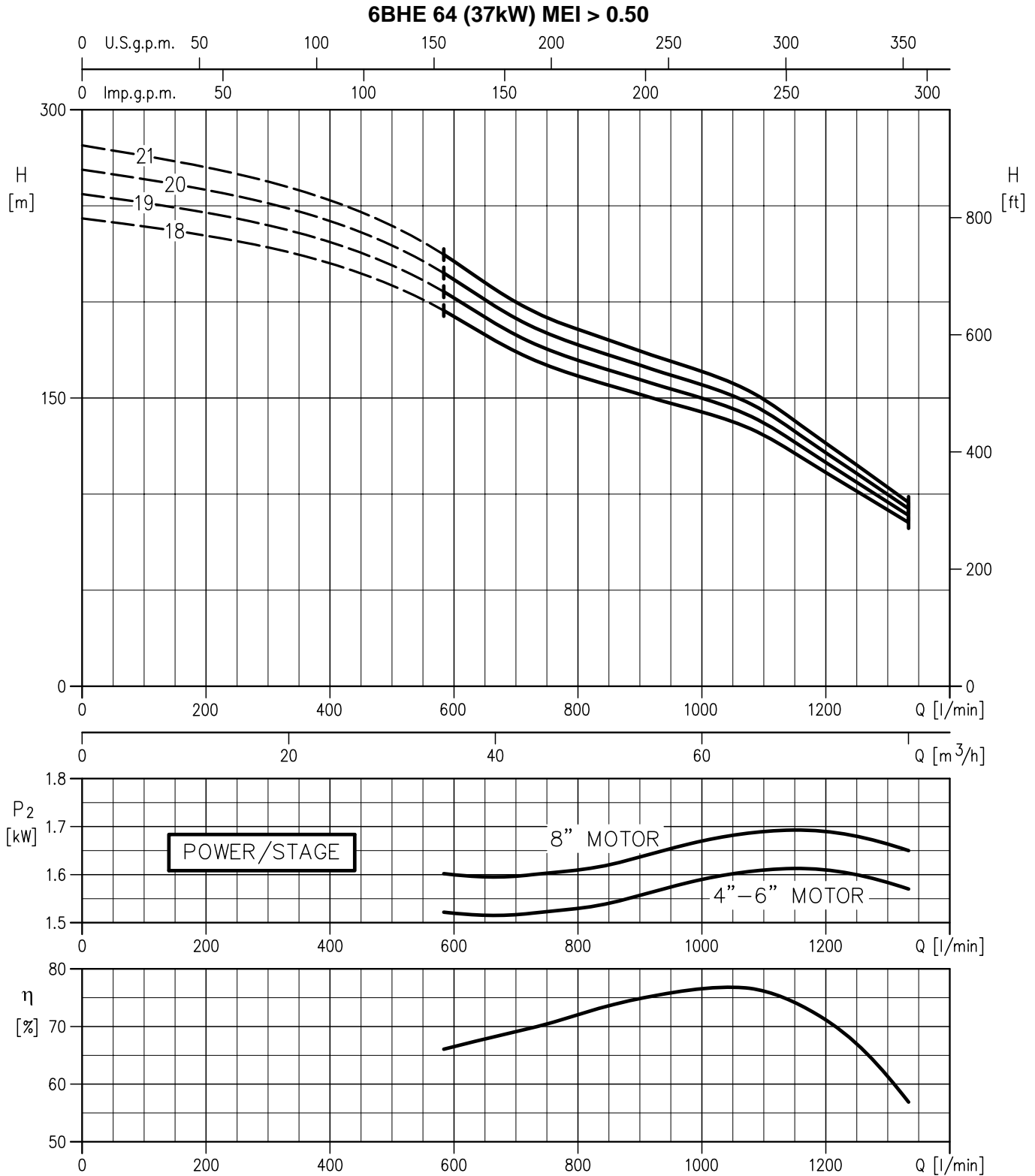


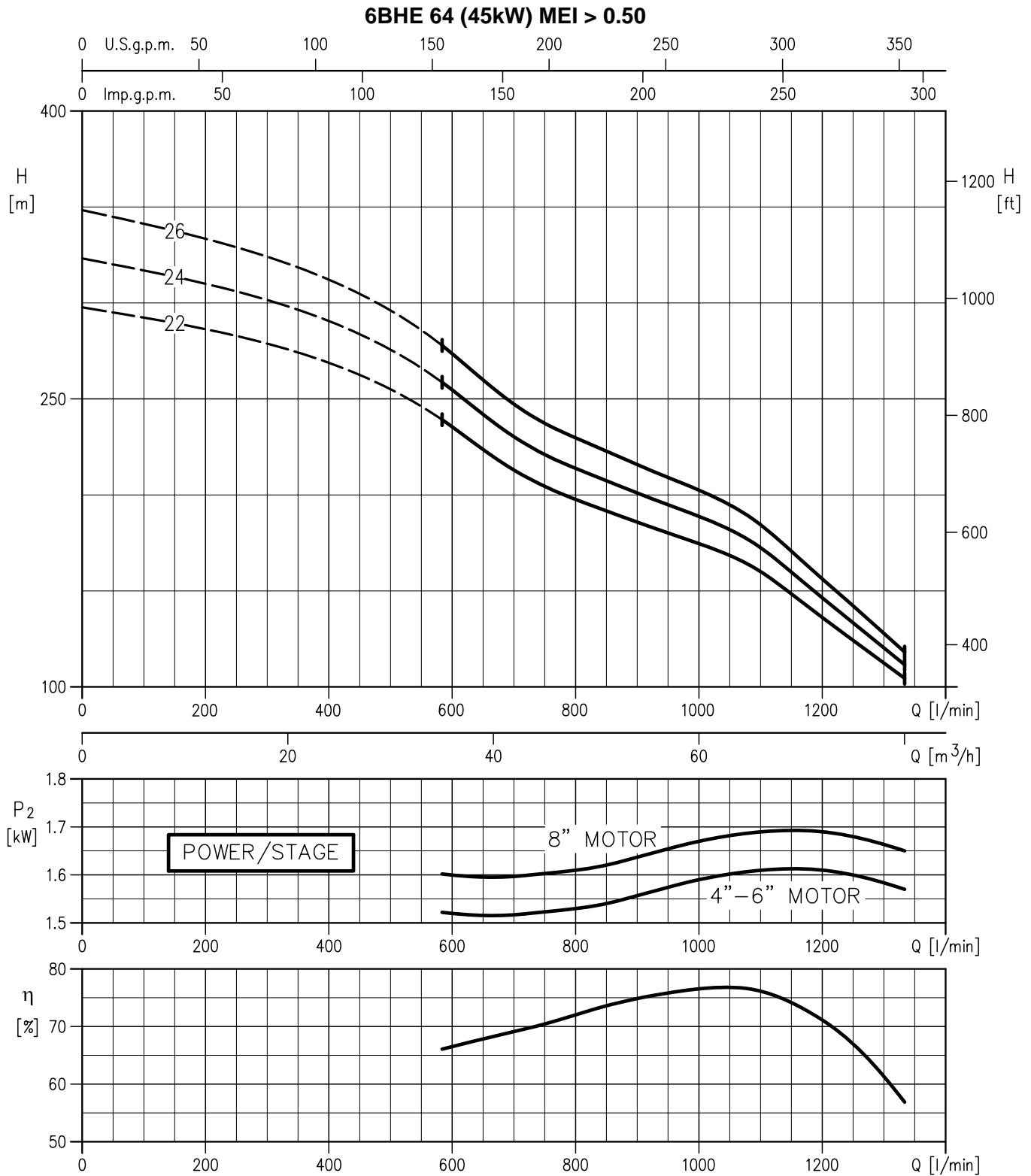


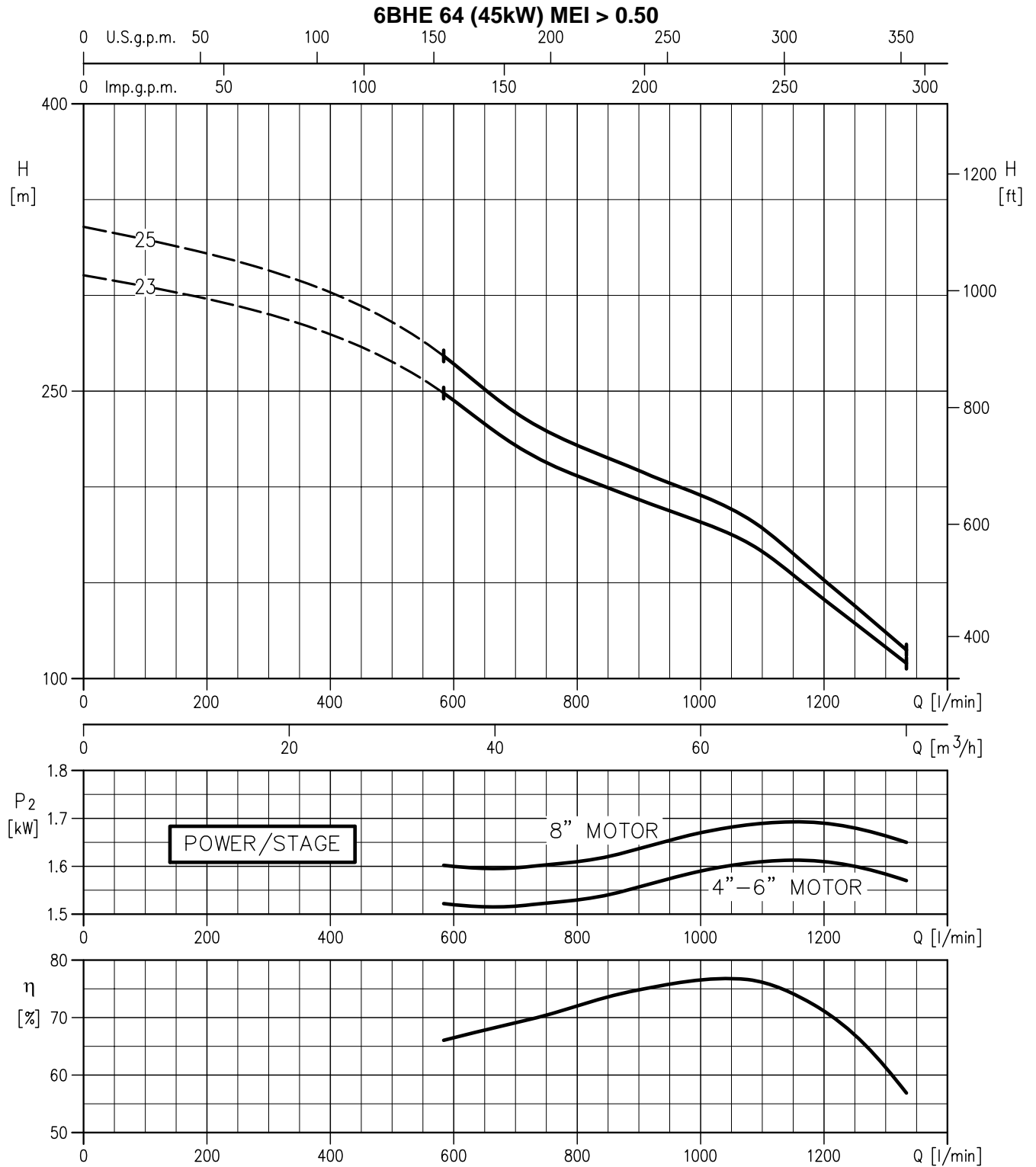




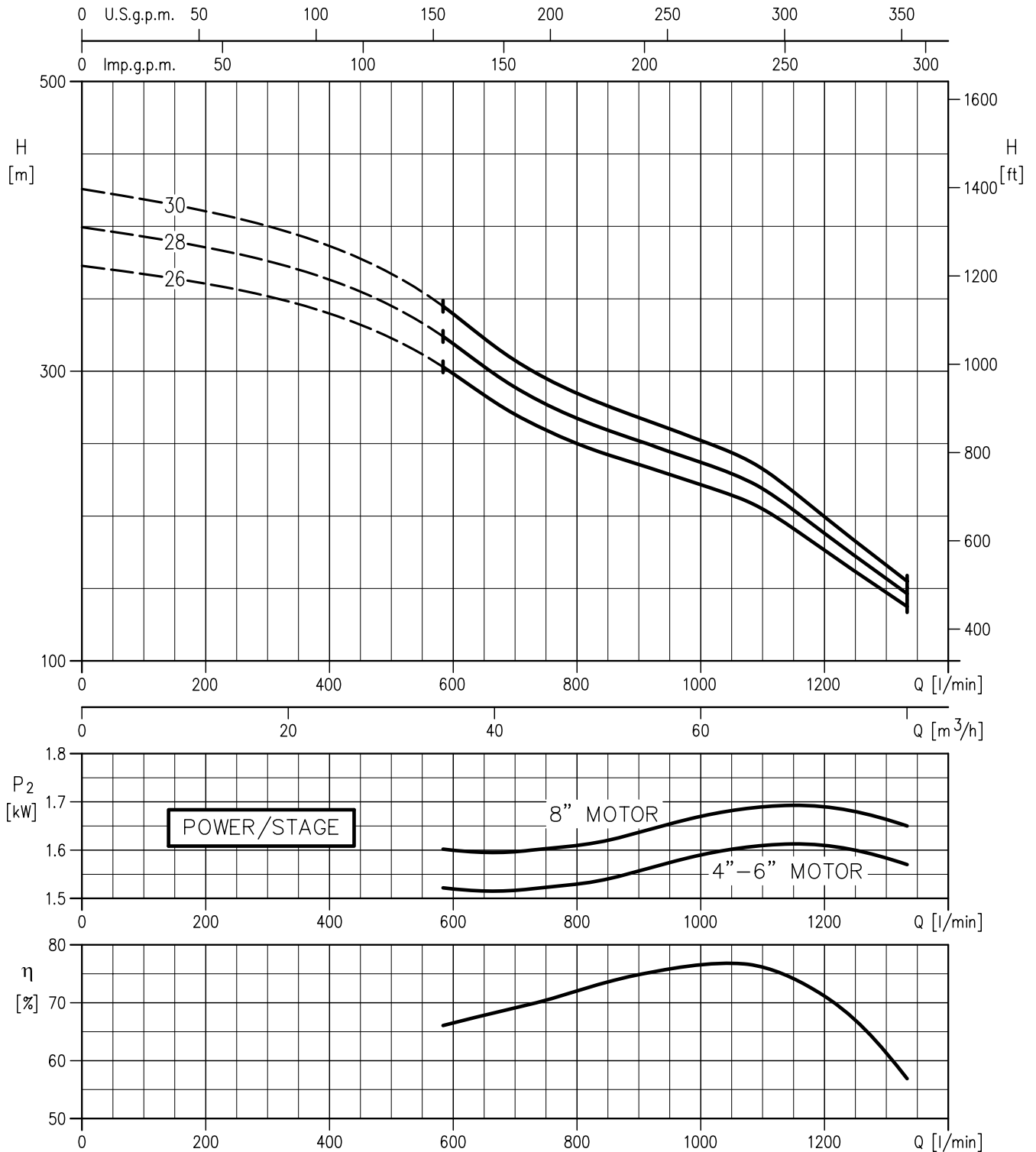




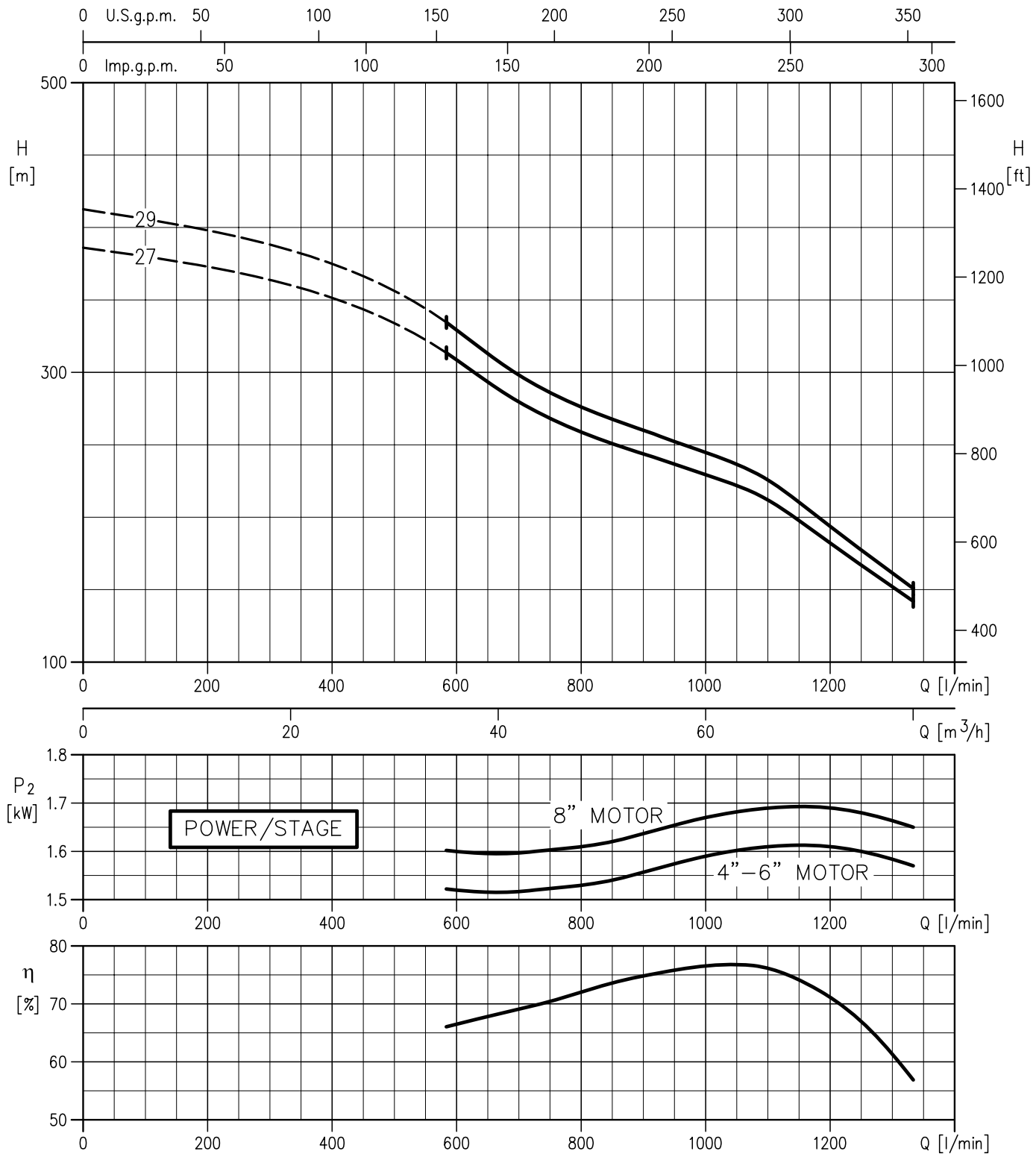


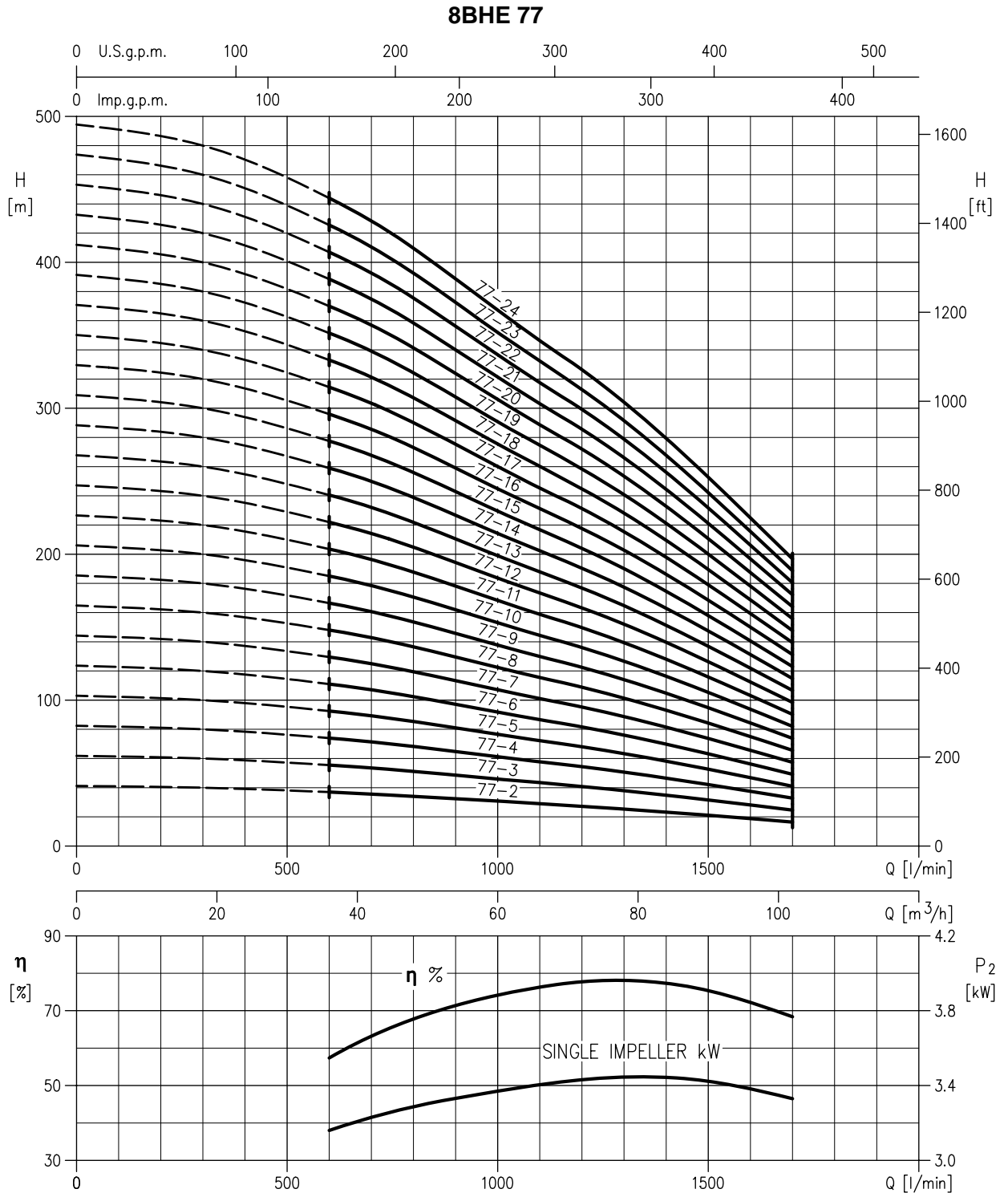


6BHE 64 (55kW) MEI > 0.50

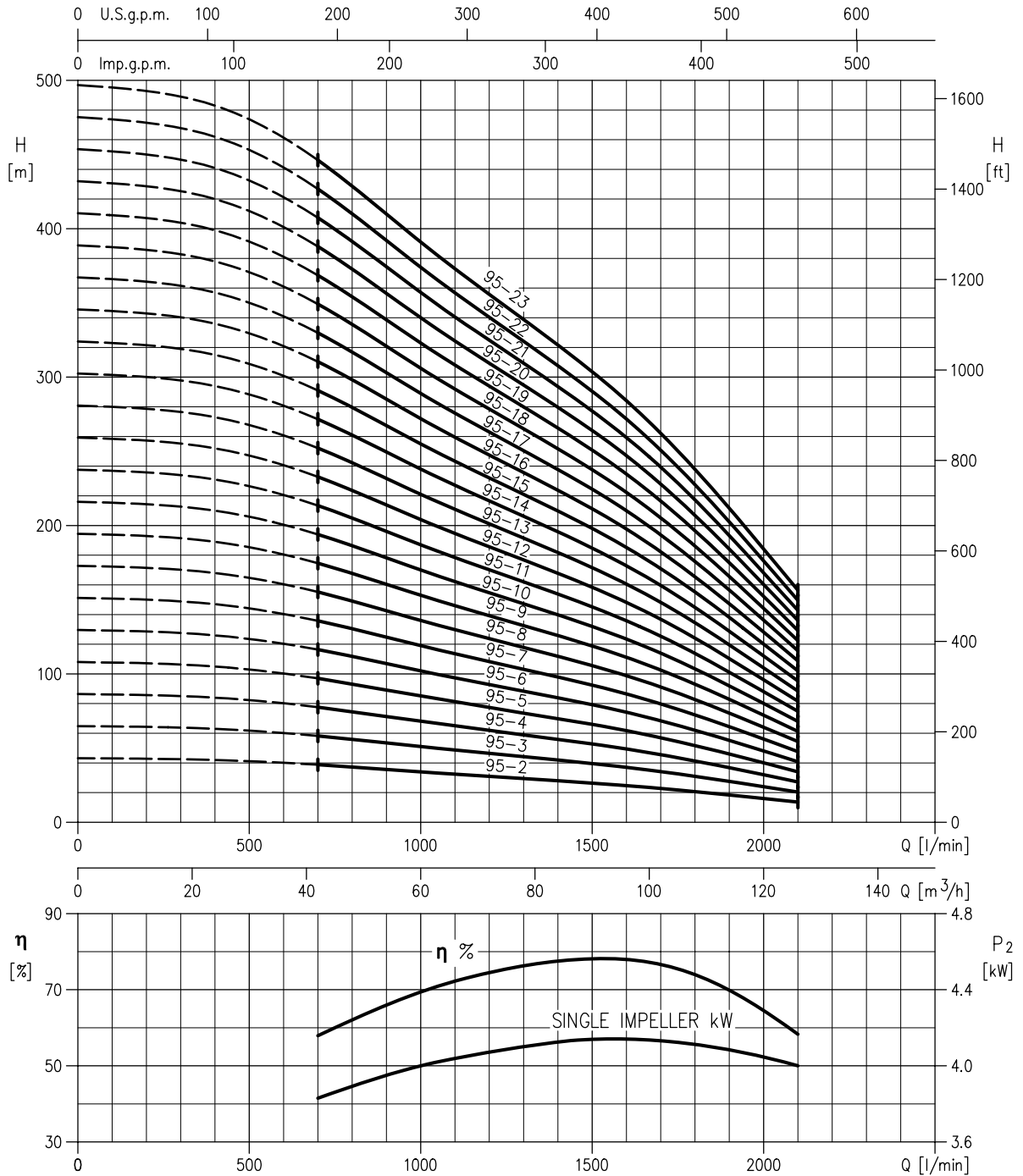


6BHE 64 (55kW) MEI > 0.50

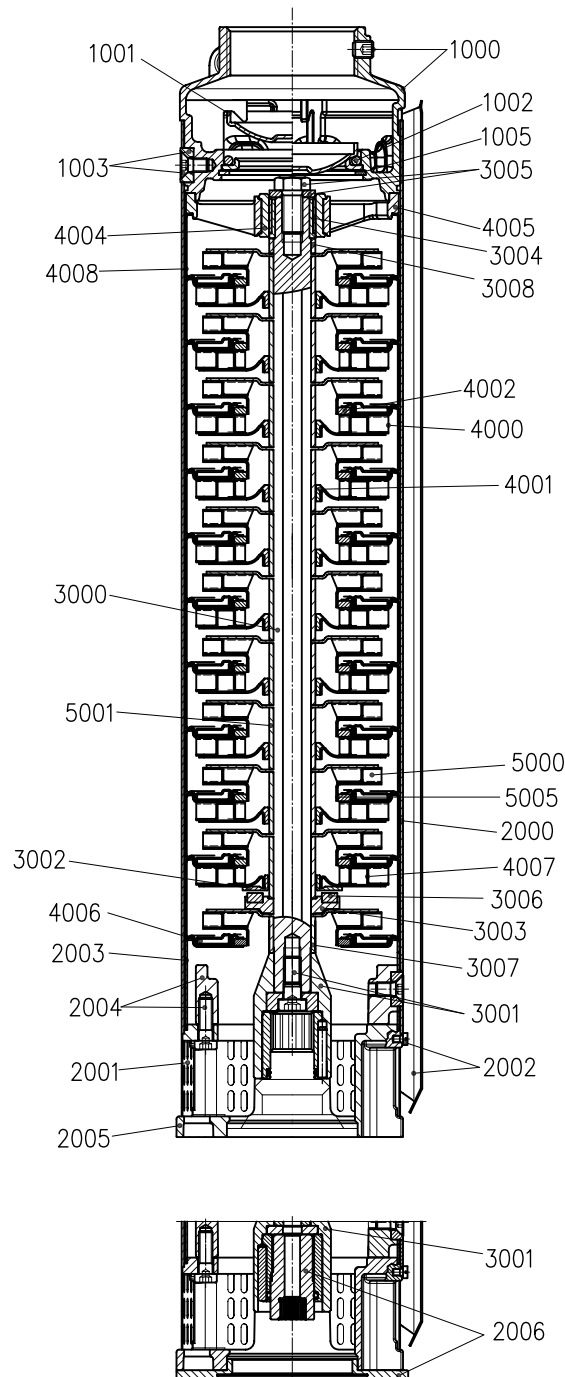




8BHE 95

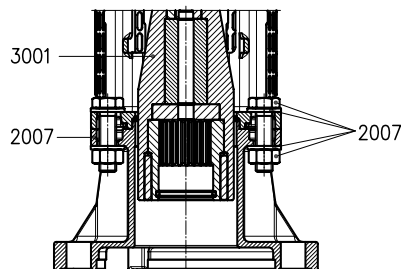
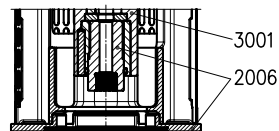
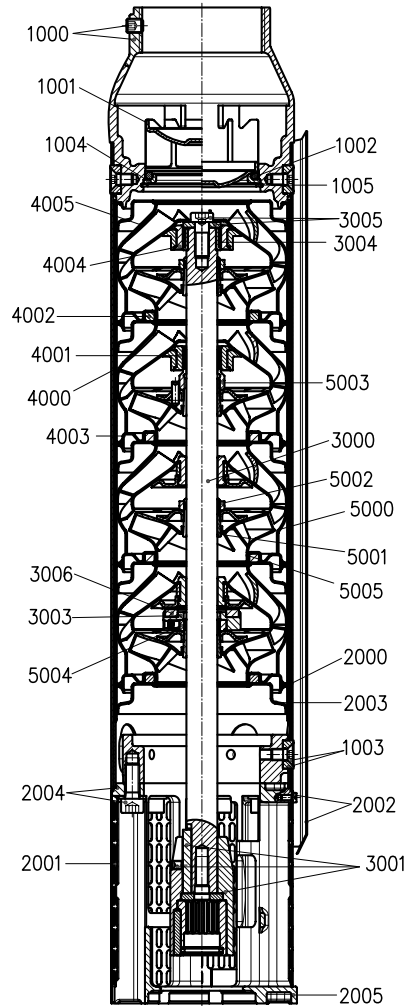


SECTIONAL VIEW 6BHE 13 / 6BHE 20



N°	PART NAME	MATERIAL		Q.TY
		Standard version	L version	
1000	Discharge head and screw	EN 1.4301 (AISI 304)	EN 1.4401 (AISI 316)	-
1001	Valve	EN 1.4401 (AISI 316)	EN 1.4401 (AISI 316)	-
1002	O-ring	Nitrile rubber (NBR)	Nitrile rubber (NBR)	-
1003	Screws and outer case locking nuts	EN 1.4401 (AISI 316)	EN 1.4401 (AISI 316)	-
1004	Valve support	EN 1.4401 (AISI 316)	EN 1.4401 (AISI 316)	-
1005	Seeger ring	EN 1.4401 (AISI 316)	EN 1.4401 (AISI 316)	-
2000	Outer case	EN 1.4301 (AISI 304)	EN 1.4401 (AISI 316)	-
2001	Suction strainer	EN 1.4401 (AISI 316)	EN 1.4401 (AISI 316)	-
2002	Cable guard and screws	EN 1.4401 (AISI 316)	EN 1.4401 (AISI 316)	-
2003	Initial spacer	EN 1.4301 (AISI 304)	EN 1.4401 (AISI 316)	-
2004	Flange and bolts	EN 1.4301 (AISI 304)	EN 1.4401 (AISI 316)	-
2005	Motor adapter	EN 1.4301 (AISI 304)	EN 1.4401 (AISI 316)	-
2006	4" motor flange/coupling adapter	-	-	-
3000	Pump shaft	EN 1.4057 (AISI 431)	EN 1.4401 (AISI 316) + EN 1.4460 (AISI 329)	-
3001	Coupling	EN 1.4057 (AISI 431) + EN 1.4460 (AISI 329)	EN 1.4401 (AISI 316) + EN 1.4460 (AISI 329)	-
3002	Upper up-thrust washer	EN 1.4401 (AISI 316)	EN 1.4401 (AISI 316)	-
3003	Lower up-thrust washer	EN 1.4401 (AISI 316)	EN 1.4401 (AISI 316)	-
3004	Upper journal sleeve	EN 1.4460 (AISI 329) with ceramic coating	EN 1.4460 (AISI 329) with ceramic coating	-
3005	Screw and washer	EN 1.4401 (AISI 316)	EN 1.4401 (AISI 316)	-
3006	Up-thrust ring	Teflon (PTFE)	Teflon (PTFE)	-
3007	Lower spacer	EN 1.4401 (AISI 316)	EN 1.4401 (AISI 316)	-
3008	Upper spacer	EN 1.4401 (AISI 316)	EN 1.4401 (AISI 316)	-
4000	Diffusers	EN 1.4301 (AISI 304)	EN 1.4401 (AISI 316)	-
4001	Secondary bearing bush	Nitrile rubber (NBR)	Nitrile rubber (NBR)	-
4002	Floating neck ring	Teflon (PTFE)	Teflon (PTFE)	-
4004	Bearing bush	Nitrile rubber (NBR)	Nitrile rubber (NBR)	-
4005	Upper bearing guide	EN 1.4401 (AISI 316)	EN 1.4401 (AISI 316)	-
4006	First diffuser	EN 1.4401 (AISI 316)	EN 1.4401 (AISI 316)	-
4007	Diffuser with upper up-thrust washer	EN 1.4401 (AISI 316)	EN 1.4401 (AISI 316)	-
4008	Last diffuser	EN 1.4401 (AISI 316)	EN 1.4401 (AISI 316)	-
5000	Impeller	EN 1.4301 (AISI 304)	EN 1.4401 (AISI 316)	-
5001	Secondary journal sleeve	EN 1.4401 (AISI 316)	EN 1.4401 (AISI 316)	-
5005	Wear ring	EN 1.4301 (AISI 304)	EN 1.4401 (AISI 316)	-

SECTIONAL VIEW 6BHE 32 / 6BHE 45 / 6BHE 64



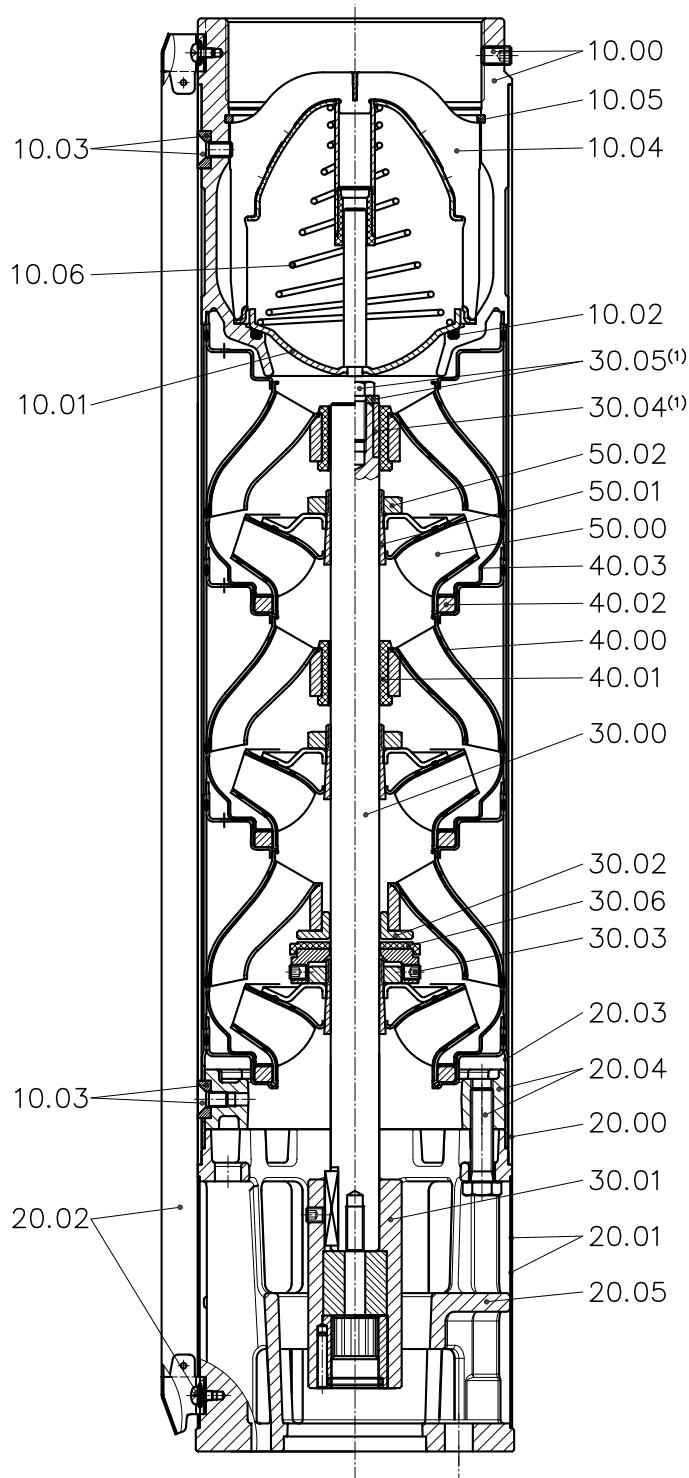
CONSTRUCTIONS

50Hz

Rev. C

N°	PART NAME	MATERIAL		Q.TY
		Standard version	L version	
1000	Discharge head and screw	EN 1.4301 (AISI 304)	EN 1.4401 (AISI 316)	-
1001	Valve	EN 1.4401 (AISI 316)	EN 1.4401 (AISI 316)	-
1002	O-ring	Nitrile rubber (NBR)	Nitrile rubber (NBR)	-
1003	Screws and outer case locking nuts	EN 1.4401 (AISI 316)	EN 1.4401 (AISI 316)	-
1004	Valve support	EN 1.4401 (AISI 316)	EN 1.4401 (AISI 316)	-
1005	Seeger ring	EN 1.4401 (AISI 316)	EN 1.4401 (AISI 316)	-
2000	Outer case	EN 1.4301 (AISI 304)	EN 1.4401 (AISI 316)	-
2001	Suction strainer	EN 1.4401 (AISI 316)	EN 1.4401 (AISI 316)	-
2002	Cable guard and screws	EN 1.4401 (AISI 316)	EN 1.4401 (AISI 316)	-
2003	Initial spacer	EN 1.4301 (AISI 304)	EN 1.4401 (AISI 316)	-
2004	Flange and bolts	EN 1.4301 (AISI 304)	EN 1.4401 (AISI 316)	-
2005	Motor adapter	EN 1.4301 (AISI 304)	EN 1.4401 (AISI 316)	-
2006	4" motor flange/coupling adapter	-	-	-
2007	8" Motor adapter/bolts and washer	EN 1.4057 (AISI 431)	EN 1.4057 (AISI 431)	-
3000	Pump shaft	EN 1.4057 (AISI 431)	EN 1.4401 (AISI 316) + EN 1.4460 (AISI 329)	-
3001	Coupling	EN 1.4057 (AISI 431) + EN 1.4460 (AISI 329)	EN 1.4401 (AISI 316) + EN 1.4460 (AISI 329)	-
3003	Lower up-thrust washer	EN 1.4401 (AISI 316)	EN 1.4401 (AISI 316)	-
3004	Upper journal sleeve	EN 1.4460 (AISI 329) with ceramic coating	EN 1.4460 (AISI 329) with ceramic coating	-
3005	Screw and washer	EN 1.4401 (AISI 316)	EN 1.4401 (AISI 316)	-
3006	Up-thrust ring	Teflon (PTFE)	Teflon (PTFE)	-
4000	Diffusers	EN 1.4301 (AISI 304)	EN 1.4401 (AISI 316)	-
4001	Secondary bearing bush	Nitrile rubber (NBR)	Nitrile rubber (NBR)	-
4002	Floating neck ring	Teflon (PTFE)	Teflon (PTFE)	-
4003	Flange clamping neck ring	EN 1.4301 (AISI 304)	EN 1.4401 (AISI 316)	-
4004	Bearing bush	Nitrile rubber (NBR)	Nitrile rubber (NBR)	-
4005	Last/intermediate diffuser	EN 1.4401 (AISI 316)	EN 1.4401 (AISI 316)	-
5000	Impeller	EN 1.4301 (AISI 304)	EN 1.4401 (AISI 316)	-
5001	Split cone	EN 1.4401 (AISI 316)	EN 1.4401 (AISI 316)	-
5002	Split cone nut	EN 1.4401 (AISI 316)	EN 1.4401 (AISI 316)	-
5003	Intermediate split cone nut	EN 1.4401 (AISI 316)	EN 1.4401 (AISI 316)	-
5004	Up-thrust split cone nut	EN 1.4301 (AISI 304)	EN 1.4401 (AISI 316)	-
5005	Wear ring	EN 1.4301 (AISI 304)	EN 1.4401 (AISI 316)	-

SECTIONAL VIEW 8BHE

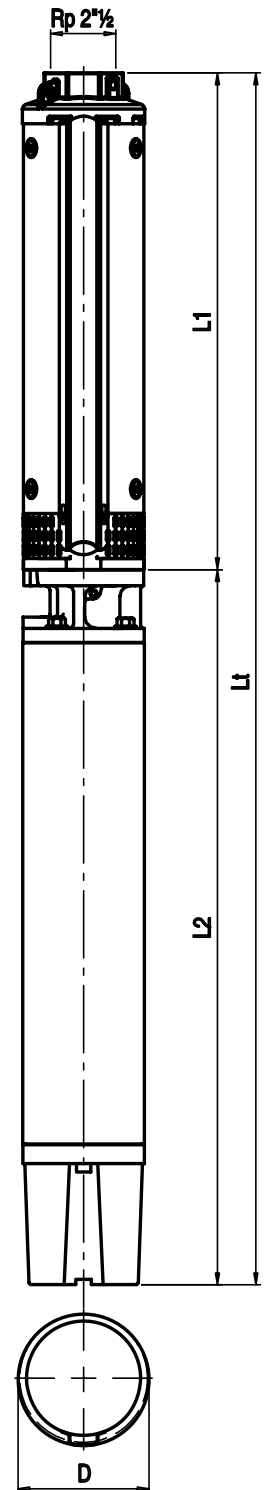


(1) Only for type with more than 8 stages

N°	PART NAME	MATERIAL		Q.TY
		Standard version	L version	
1000	Discharge head 5"	EN 1.4301 (AISI 304)	EN 1.4401 (AISI 316)	-
1001	Valve	EN 1.4401 (AISI 316)	EN 1.4401 (AISI 316)	-
1002	O-Ring	Nitrile rubber (NBR)	Nitrile rubber (NBR)	-
1003	Screw and inserts locking outer case	EN 1.4401 (AISI 316)	EN 1.4401 (AISI 316)	-
1004	Valve seat	EN 1.4401 (AISI 316)	EN 1.4401 (AISI 316)	-
1005	Seeger Ring	EN 1.4401 (AISI 316)	EN 1.4401 (AISI 316)	-
1006	Spring	EN 1.4401 (AISI 316)	EN 1.4401 (AISI 316)	-
2000	Outer casing	EN 1.4301 (AISI 304)	EN 1.4401 (AISI 316)	-
2001	Strainer	EN 1.4401 (AISI 316)	EN 1.4401 (AISI 316)	-
2002	Cable cover	EN 1.4401 (AISI 316)	EN 1.4401 (AISI 316)	-
2003	Spacer	EN 1.4401 (AISI 316)	EN 1.4401 (AISI 316)	-
2004	Flange and bolt	EN 1.4301 (AISI 304)	EN 1.4401 (AISI 316)	-
2005	Motor bracket	EN 1.4301 (AISI 304)	EN 1.4401 (AISI 316)	-
3000	Shaft	EN 1.4460 (AISI 329)	EN 1.4460 (AISI 329)	-
3001	Motor coupling	EN 1.4057 (AISI 431) + EN 1.4460 (AISI 329)	EN 1.4401 (AISI 316) + EN 1.4460 (AISI 329)	-
3002	Upper Up-thrust washer	EN 1.4460 (AISI 329)	EN 1.4460 (AISI 329)	-
3003	Lower Up-thrust washer	EN 1.4460 (AISI 329)	EN 1.4460 (AISI 329)	-
3004	Upper shaft sleeve (1)	Stainless steel with ceramic casting	Stainless steel with ceramic casting	-
3005	Screw and washer (1)	EN 1.4401 (AISI 316)	EN 1.4401 (AISI 316)	-
3006	Up-thrust disc	Teflon (PTFE)	Teflon (PTFE)	-
4000	Stage	EN 1.4301 (AISI 304)	EN 1.4401 (AISI 316)	-
4001	Intermediate bearing bush	Nitrile rubber (NBR)	Nitrile rubber (NBR)	-
4002	Liner ring	Teflon (PTFE)	Teflon (PTFE)	-
4003	Flange	EN 1.4401 (AISI 316)	EN 1.4401 (AISI 316)	-
5000	Impeller	EN 1.4401 (AISI 316)	EN 1.4401 (AISI 316)	-
5001	Split cone	EN 1.4401 (AISI 316)	EN 1.4401 (AISI 316)	-
5002	Split cone nut	EN 1.4401 (AISI 316)	EN 1.4401 (AISI 316)	-

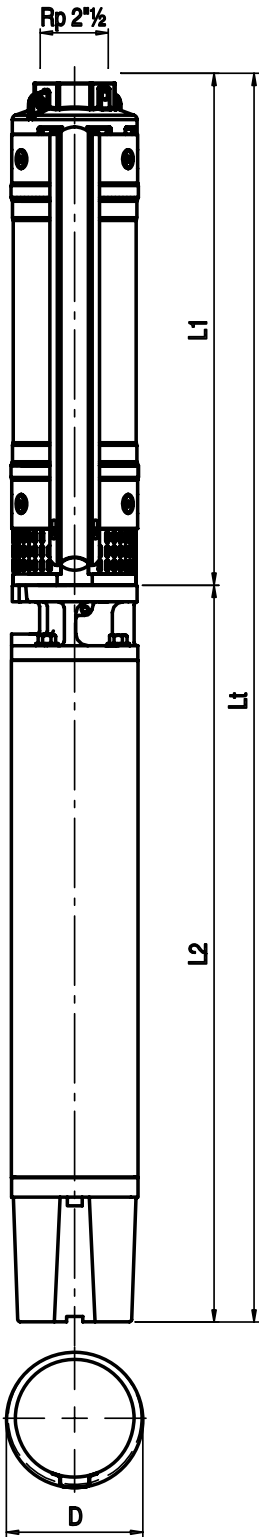
6BHE 13

4" Motor						
Pump type	Dimensions [mm]					Weight [kgf]
	L1	L2	Lt	D		
				1 CABLE	2 CABLE	
6BHE 13-5	413.5	422	835.5	142.5	-	26,5
6BHE 13-6	443.5	520	963.5	142.5	-	32
6BHE 13-7	473.5	520	993.5	142.5	-	32
6BHE 13-8	503.5	520	1023.5	142.5	-	33
6BHE 13-9	533.5	652.5	1186	142.5	-	41
6BHE 13-10	563.5	652.5	1216	142.5	-	41,5
6BHE 13-11	593.5	652.5	1246	142.5	-	42,5
6BHE 13-12	623.5	652.5	1276	142.5	-	43,5
6BHE 13-13	653.5	652.5	1306	142.5	-	44
6BHE 13-14	683.5	730.5	1414	142.5	-	49
6BHE 13-15	713.5	730.5	1444	142.5	-	49,5
6BHE 13-16	743.5	730.5	1474	142.5	-	50,5
6BHE 13-17	773.5	730.5	1504	142.5	-	51



6" Motor						
Pump type	Dimensions [mm]					Weight [kgf]
	L1	L2	Lt	D		
				1 CABLE	2 CABLE	
6BHE 13-5	411	581	992	143	144.5	49
6BHE 13-6	441	581	1022	143	144.5	50
6BHE 13-7	471	581	1052	143	144.5	50,5
6BHE 13-8	501	581	1082	143	144.5	51,5
6BHE 13-9	531	614.5	1145.5	143	144.5	55,5
6BHE 13-10	561	614.5	1175.5	143	144.5	56
6BHE 13-11	591	614.5	1205.5	143	144.5	57
6BHE 13-12	621	614.5	1235.5	143	144.5	58
6BHE 13-13	651	614.5	1265.5	143	144.5	58.5
6BHE 13-14	681	646.0	1327	143	144.5	63.5
6BHE 13-15	711	646.0	1357	143	144.5	64
6BHE 13-16	741	646.0	1387	143	144.5	65
6BHE 13-17	771	646.0	1417	143	144.5	65.5
6BHE 13-18	801	678.5	1479.5	143	144.5	69
6BHE 13-19	831	678.5	1509.5	143	144.5	69.5
6BHE 13-20	861	678.5	1539.5	143	144.5	70.5
6BHE 13-21	891	678.5	1569.5	143	144.5	71
6BHE 13-22	921	678.5	1599.5	143	144.5	71.5
6BHE 13-23	951	711	1662	143	144.5	76
6BHE 13-24	981	711	1692	143	144.5	76.5
6BHE 13-25	1011	711	1722	143	144.5	77.5
6BHE 13-26	1041	711	1752	143	144.5	78
6BHE 13-27	1071	776	1847	143	144.5	85.5
6BHE 13-28	1101	776	1877	143	144.5	85.5
6BHE 13-29	1131	776	1907	143	144.5	87
6BHE 13-30	1161	776	1937	143	144.5	87.5
6BHE 13-31	1191	776	1967	143	144.5	87.5
6BHE 13-32	1220.5	776	1996.5	143	144.5	88
6BHE 13-33	1250.5	776	2026.5	143	144.5	89
6BHE 13-34	1280.5	776	2056.5	143	144.5	90
6BHE 13-35	1310.5	776	2086.5	143	144.5	90.5
6BHE 13-36	1340.5	776	2116.5	143	144.5	91
6BHE 13-37	1370.5	841.5	2212	143	144.5	99
6BHE 13-38	1400.5	841.5	2242	143	144.5	99.5
6BHE 13-39	1430.5	841.5	2272	143	144.5	101
6BHE 13-40	1460.5	841.5	2302	143	144.5	102
6BHE 13-41	1490.5	841.5	2332	143	144.5	102.5
6BHE 13-42	1520.5	841.5	2362	143	144.5	102.5
6BHE 13-43	1550.5	841.5	2392	143	144.5	103.5
6BHE 13-44	1580.5	841.5	2422	143	144.5	104
6BHE 13-45	1610.5	906.5	2517	143	144.5	111
6BHE 13-46	1640.5	906.5	2547	143	144.5	111.5
6BHE 13-47	1670.5	906.5	2547	143	144.5	112.5
6BHE 13-48	1700.0	906.5	2606.5	143	144.5	113.5
6BHE 13-49	1730.5	906.5	2637	143	144.5	114.5
6BHE 13-50	1760.5	906.5	2667	145	146.5	115.5
6BHE 13-51	1790.5	906.5	2697	145	146.5	116.5
6BHE 13-52	1820.5	906.5	2727	145	146.5	117.5
6BHE 13-53	1850.5	1036.5	2887	145	146.5	133
6BHE 13-54	1880.5	1036.5	2917	145	146.5	133.5
6BHE 13-55	1910.5	1036.5	2917	145	146.5	134.5
6BHE 13-56	1940.5	1036.5	2977	145	146.5	135.5
6BHE 13-57	1970.5	1036.5	3007	145	146.5	136
6BHE 13-58	2000	1036.5	3036.5	145	146.5	137
6BHE 13-59	2030	1036.5	3066.5	145	146.5	138
6BHE 13-60	2060	1036.5	3096.5	145	146.5	139
6BHE 13-61	2090	1036.5	3126.5	145	146.5	140

6BHE 20



DIMENSIONS AND WEIGHT

50Hz

Rev. C

4" Motor						
Pump type	Dimensions [mm]					Weight [kgf]
	L1	L2	Lt	D		
				1 CABLE	2 CABLE	
6BHE 20-6	497.5	520	1017.5	142.5	-	31,5
6BHE 20-7	535	652.5	1187.5	142.5	-	40
6BHE 20-8	572.5	652.5	1225	142.5	-	41
6BHE 20-9	610	652.5	1262.5	142.5	-	41,5
6BHE 20-10	647.5	730.5	1378	142.5	-	46,5
6BHE 20-11	685	730.5	1415.5	142.5	-	47,5
6BHE 20-12	722.5	730.5	1453	142.5	-	48

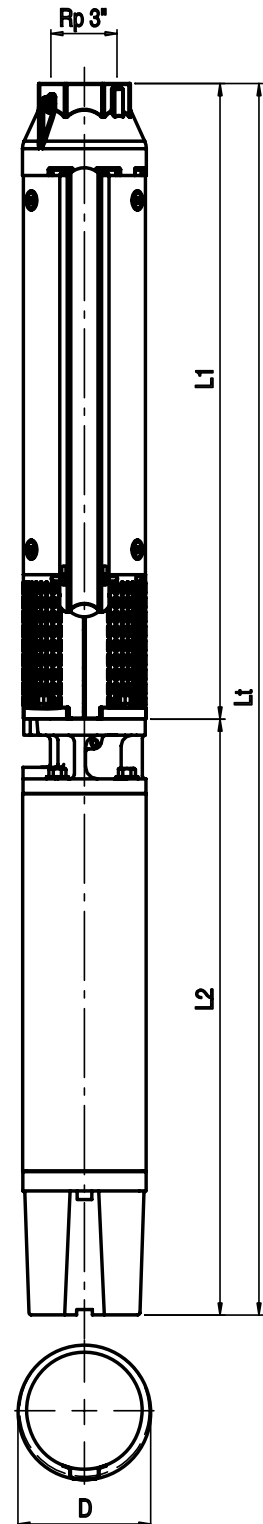
6" Motor						
Pump type	Dimensions [mm]					Weight [kgf]
	L1	L2	Lt	D		
				1 CABLE	2 CABLE	
6BHE 20-6	495	581	1076	143	144,5	50
6BHE 20-7	532,5	614,5	1147	143	144,5	54,5
6BHE 20-8	570	614,5	1184,5	143	144,5	55,5
6BHE 20-9	607,5	614,5	1222	143	144,5	56
6BHE 20-10	645	646	1291	143	144,5	61
6BHE 20-11	682,5	646	1328,5	143	144,5	62
6BHE 20-12	720	646	1366	143	144,5	62,5
6BHE 20-13	757,5	678,5	1436	143	144,5	66
6BHE 20-14	795	678,5	1473,5	143	144,5	67
6BHE 20-15	832,5	678,5	1511	143	144,5	67,5
6BHE 20-16	870	711	1581	143	144,5	72
6BHE 20-17	907,5	711	1618,5	143	144,5	73
6BHE 20-18	945	711	1656	143	144,5	73,5
6BHE 20-19	982,5	776	1758,5	143	144,5	80
6BHE 20-20	1020	776	1796	143	144,5	80,5
6BHE 20-21	1057,5	776	1833,5	143	144,5	81,5
6BHE 20-22	1095	776	1871	143	144,5	82,5
6BHE 20-23	1132,5	776	1908,5	143	144,5	83
6BHE 20-24	1170	776	1946	143	144,5	84
6BHE 20-25	1207,5	841,5	2049	143	144,5	92
6BHE 20-26	1245	841,5	2086,5	143	144,5	92,5
6BHE 20-27	1282,5	841,5	2124	143	144,5	94,5
6BHE 20-28	1319,5	841,5	2161	143	144,5	94,5
6BHE 20-29	1357	841,5	2198,5	143	144,5	95
6BHE 20-30	1394,5	841,5	2236	143	144,5	96
6BHE 20-31	1432	906,5	2338,5	143	144,5	103
6BHE 20-32	1469,5	906,5	2376	143	144,5	103,5
6BHE 20-33	1507	906,5	2413,5	143	144,5	104,5
6BHE 20-34	1544,5	906,5	2451	143	144,5	105
6BHE 20-35	1582	906,5	2488,5	143	144,5	106
6BHE 20-36	1619,5	906,5	2526	143	144,5	106,5
6BHE 20-37	1657	1036,5	2693,5	143	144,5	122,5
6BHE 20-38	1694,5	1036,5	2731	143	144,5	124
6BHE 20-39	1732	1036,5	2768,5	143	144,5	124
6BHE 20-40	1769,5	1036,5	2806	143	144,5	124,5
6BHE 20-41	1807	1036,5	2843,5	143	144,5	126
6BHE 20-42	1844,5	1036,5	2881	143	144,5	127
6BHE 20-43	1882	1036,5	2918,5	143	144,5	128
6BHE 20-44	1919,5	1036,5	2956	143	144,5	129
6BHE 20-45	1957	1036,5	2993,5	143	144,5	130
6BHE 20-46	1994	1036,5	3030,5	143	144,5	131
6BHE 20-47	2031,5	1036,5	3068	145	146,5	131,5
6BHE 20-48	2069	1036,5	3105,5	145	146,5	132
6BHE 20-49	2106,5	1036,5	3143	145	146,5	134
6BHE 20-50	2144	1421,5	3565,5	145	146,5	189
6BHE 20-51	2181,5	1421,5	3603	145	146,5	190
6BHE 20-52	2219	1421,5	3640,5	145	146,5	191
6BHE 20-53	2256,5	1421,5	3678	145	146,5	192
6BHE 20-54	2294	1421,5	3715,5	145	146,5	193
6BHE 20-55	2331,5	1421,5	3753	145	146,5	194
6BHE 20-56	2369	1421,5	3790,5	145	146,5	195
6BHE 20-57	2406,5	1421,5	3828	145	146,5	196
6BHE 20-58	2444	1421,5	3865,5	145	146,5	197
6BHE 20-59	2481,5	1421,5	3903	145	146,5	198
6BHE 20-60	2519	1421,5	3940,5	145	146,5	199

6BHE 32

4" Motor						
Pump type	Dimensions [mm]					Weight [kgf]
	L1	L2	Lt	D		
				1 CABLE	2 CABLE	
6BHE 32-3	622	520	1142	142.5	-	34
6BHE 32-4	707.5	652.5	1360	142.5	-	43,5
6BHE 32-5	793	730.5	1523.5	142.5	-	50
6BHE 32-6	878.5	730.5	1609	142.5	-	52

6" Motor						
Pump type	Dimensions [mm]					Weight [kgf]
	L1	L2	Lt	D		
				1 CABLE	2 CABLE	
6BHE 32-3	620	581	1201	143	144,5	52
6BHE 32-4	705,5	614,5	1320	143	144,5	58
6BHE 32-5	790,5	646	1436,5	143	144,5	64
6BHE 32-6	876	646	1522	143	144,5	66
6BHE 32-7	961,5	678,5	1640	143	144,5	70,5
6BHE 32-8	1047	711	1758	143	144,5	76,5
6BHE 32-9	1132,5	711	1843,5	143	144,5	78,5
6BHE 32-10	1218	776	1994	143	144,5	86
6BHE 32-11	1303,5	776	2079,5	143	144,5	88
6BHE 32-12	1389	776	2165	143	144,5	90
6BHE 32-13	1474,5	841,5	2316	143	144,5	99
6BHE 32-14	1560	841,5	2401,5	143	144,5	101,5
6BHE 32-15	1645,5	906,5	2552	143	144,5	109,5
6BHE 32-16	1730,5	906,5	2637	143	144,5	111,5
6BHE 32-17	1816	906,5	2722,5	143	144,5	113,5
6BHE 32-18	1901,5	906,5	2808	143	144,5	115,5
6BHE 32-19	1987	1036,5	3023,5	143	144,5	132
6BHE 32-20	2072,5	1036,5	3109	143	144,5	134,5
6BHE 32-21	2157,5	1036,5	3194	143	144,5	136,5
6BHE 32-22	2243	1036,5	3279,5	143	144,5	138,5
6BHE 32-23	2328,5	1036,5	3365	143	144,5	140,5
6BHE 32-24	2414	1036,5	3450,5	143	144,5	142,5
6BHE 32-25	2499	1421,5	3920,5	143	144,5	199
6BHE 32-26	2584,5	1421,5	4006	143	144,5	201
6BHE 32-27	2670	1421,5	4091,5	143	144,5	203
6BHE 32-28	2755	1421,5	4176,5	143	144,5	205
6BHE 32-29	2840,5	1421,5	4262	143	144,5	207
6BHE 32-30	2926	1421,5	4347,5	143	144,5	209,5
6BHE 32-31	3011	1574	4585	143	144,5	224,5
6BHE 32-32	3096,5	1574	4670,5	143	144,5	227,5
6BHE 32-33	3182	1574	4756	143	144,5	229,5
6BHE 32-34	3267,5	1574	4841,5	143	144,5	231,5
6BHE 32-35	3352,5	1574	4926,5	143	144,5	234
6BHE 32-36	3438	1574	5012	145	146,5	237
6BHE 32-37	3523,5	1574	5097,5	145	146,5	239

8" Motor						
Pump type	Dimensions [mm]					Weight [kgf]
	L1	L2	Lt	D		
				1 CABLE	2 CABLE	
6BHE 32-38	3709	1204	4913	190.5	190.5	270,5
6BHE 32-39	3794	1204	4998	190.5	190.5	272,5
6BHE 32-40	3879,5	1204	5083,5	190.5	190.5	275
6BHE 32-41	3965	1204	5169	190.5	190.5	276
6BHE 32-42	4050,5	1204	5254,5	190.5	190.5	277
6BHE 32-43	4135,5	1204	5339,5	190.5	190.5	278

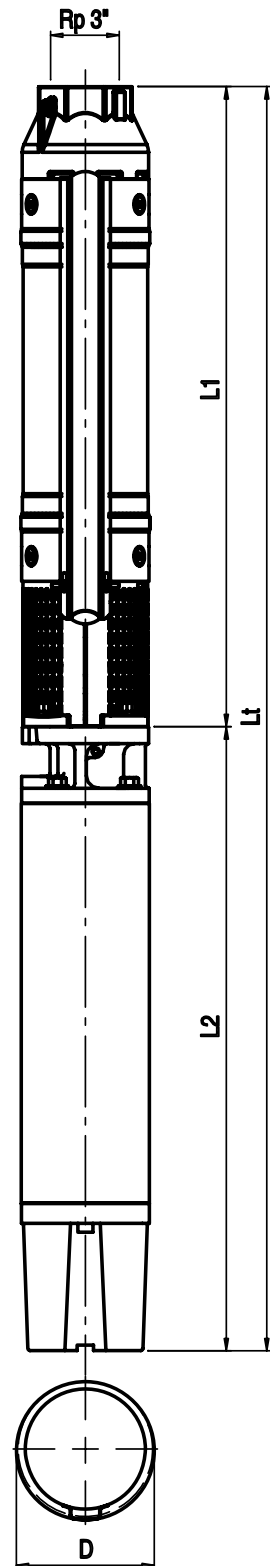


6BHE 48

4" Motor						
Pump type	Dimensions [mm]					Weight [kgf]
	L1	L2	Lt	D		
				1 CABLE	2 CABLE	
6BHE 48-2	593,5	477	1070,5	142,5	-	31
6BHE 48-3	707,5	543	1250,5	142,5	-	36,5
6BHE 48-4	821,5	652,5	1474	142,5	-	45,5
6BHE 48-5	935,5	730,5	1666	142,5	-	52,5

6" Motor						
Pump type	Dimensions [mm]					Weight [kgf]
	L1	L2	Lt	D		
				1 CABLE	2 CABLE	
6BHE 48-2	591,5	581	1172,5	143	144,5	51
6BHE 48-3	705,5	581	1286,5	143	144,5	53,5
6BHE 48-4	819,5	614,5	1434	143	144,5	60
6BHE 48-5	933,5	646	1579,5	143	144,5	66,5
6BHE 48-6	1047	678,5	1725,5	143	144,5	71,5
6BHE 48-7	1161	678,5	1839,5	143	144,5	74
6BHE 48-8	1275	711	1986	143	144,5	80
6BHE 48-9	1389	776	2165	143	144,5	88,5
6BHE 48-10	1503	776	2279	143	144,5	91
6BHE 48-11	1617	776	2393	143	144,5	93,5
6BHE 48-12	1730,5	841,5	2572	143	144,5	103
6BHE 48-13	1844,5	841,5	2686	143	144,5	105,5
6BHE 48-14	1958,5	841,5	2800	143	144,5	108,5
6BHE 48-15	2072,5	906,5	2979	143	144,5	117
6BHE 48-16	2186	906,5	3092,5	143	144,5	119,5
6BHE 48-17	2300	906,5	3206,5	143	144,5	122
6BHE 48-18	2414	1036,5	3450,5	143	144,5	139,5
6BHE 48-19	2527,5	1036,5	3564	143	144,5	142
6BHE 48-20	2641,5	1036,5	3678	143	144,5	144,5
6BHE 48-21	2755	1036,5	3791,5	143	144,5	147
6BHE 48-22	2869	1036,5	3905,5	143	144,5	149,5
6BHE 48-23	2983	1036,5	4019,5	143	144,5	152,5
6BHE 48-24	3096,5	1421,5	4518	143	144,5	209
6BHE 48-25	3210,5	1421,5	4632	143	144,5	211,5
6BHE 48-26	3324	1421,5	4745,5	143	144,5	214
6BHE 48-27	3438	1421,5	4859,5	145	146,5	217,5
6BHE 48-28	3552	1421,5	4973,5	145	146,5	220
6BHE 48-29	3665,5	1574	5239,5	145	146,5	236,5
6BHE 48-30	3779,5	1574	5353,5	145	146,5	239
6BHE 48-31	3893,5	1574	5467,5	145	146,5	242
6BHE 48-32	4007	1574	5581	145	146,5	244,5
6BHE 48-33	4121	1574	5695	145	146,5	247

8" Motor						
Pump type	Dimensions [mm]					Weight [kgf]
	L1	L2	Lt	D		
				1 CABLE	2 CABLE	
6BHE 48-34	4335	1204	5539	190,5	190,5	279
6BHE 48-35	4449	1204	5653	190,5	190,5	281,5
6BHE 48-36	4562,5	1204	5766,5	190,5	190,5	284,5
6BHE 48-37	4676,5	1204	5880,5	190,5	190,5	287
6BHE 48-38	4790,5	1204	5994,5	190,5	190,5	289,5
6BHE 48-39	4904,5	1204	6108,5	190,5	190,5	292
6BHE 48-40	5018,5	1204	6222,5	190,5	190,5	295

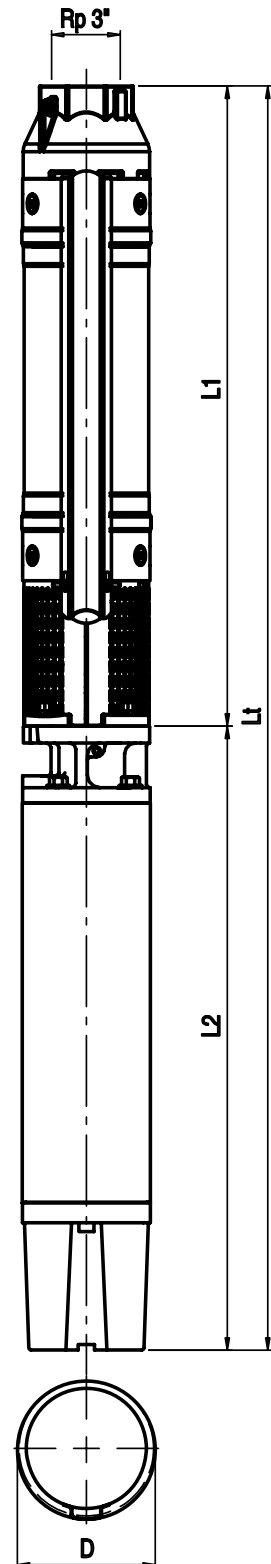


6BHE 64

4" Motor						
Pump type	Dimensions [mm]					Weight [kgf]
	L1	L2	Lt	D		
				1 CABLE	2 CABLE	
6BHE 64-2	593,5	520	1113,5	142,5	-	33
6BHE 64-3	707,5	652,5	1360	142,5	-	43
6BHE 64-4	821,5	730,5	1552	142,5	-	49,5

6" Motor						
Pump type	Dimensions [mm]					Weight [kgf]
	L1	L2	Lt	D		
				1 CABLE	2 CABLE	
6BHE 64-2	591,5	581	1172,5	143	144,5	51
6BHE 64-3	705,5	614,5	1320	143	144,5	57
6BHE 64-4	819,5	646	1465,5	143	144,5	64
6BHE 64-5	933,5	678,5	1612	143	144,5	69
6BHE 64-6	1047	711	1758	143	144,5	75
6BHE 64-7	1161	776	1937	143	144,5	83
6BHE 64-8	1275	776	2051	143	144,5	86
6BHE 64-9	1389	776	2165	143	144,5	88,5
6BHE 64-10	1503	841,5	2344,5	143	144,5	98
6BHE 64-11	1617	841,5	2458,5	143	144,5	100,5
6BHE 64-12	1730,5	906,5	2637	143	144,5	109
6BHE 64-13	1844,5	906,5	2751	143	144,5	112
6BHE 64-14	1958,5	1036,5	2995	143	144,5	129
6BHE 64-15	2072,5	1036,5	3109	143	144,5	131,5
6BHE 64-16	2186	1036,5	3222,5	143	144,5	134
6BHE 64-17	2300	1036,5	3336,5	143	144,5	137
6BHE 64-18	2414	1421,5	3835,5	143	144,5	193,5
6BHE 64-19	2527,5	1421,5	3949	143	144,5	196
6BHE 64-20	2641,5	1421,5	4063	143	144,5	198,5
6BHE 64-21	2755	1421,5	4176,5	143	144,5	201,5
6BHE 64-22	2869	1574	4443	143	144,5	218
6BHE 64-23	2983	1574	4557	143	144,5	220,5
6BHE 64-24	3096,5	1574	4670,5	143	144,5	223
6BHE 64-25	3210,5	1574	4784,5	143	144,5	225,5
6BHE 64-26	3324	1574	4898	143	144,5	228,5

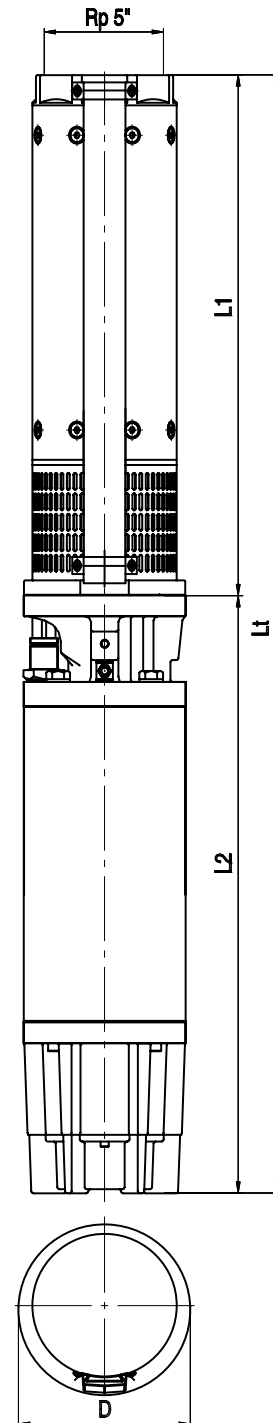
8" Motor						
Pump type	Dimensions [mm]					Weight [kgf]
	L1	L2	Lt	D		
				1 CABLE	2 CABLE	
6BHE 64-27	3538	1204	4742	190,5	190,5	261
6BHE 64-28	3652	1204	4856	190,5	190,5	263,5
6BHE 64-29	3765,5	1204	4969,5	190,5	190,5	266
6BHE 64-30	3879,5	1204	5083,5	190,5	190,5	268,5
6BHE 64-31	3993,5	1204	5197,5	190,5	190,5	271,5



8BHE 77

6" Motor						
Pump type	Dimensions [mm]					Weight [kgf]
	L1	L2	Lt	D		
				1 CABLE	2 CABLE	
86 BHE 77-2	644	646	1290	188	194	77
86 BHE 77-3	770	711	1481	188	194	87
86 BHE 77-4	896	776	1672	188	194	57
86 BHE 77-5	1022	841.5	1863.5	188	194	109
86 BHE 77-6	1148	906.5	2054.5	188	194	120
86 BHE 77-7	1274	1036.5	2310.5	188	194	140
86 BHE 77-8	1400	1036.5	2436.5	188	194	145
86 BHE 77-9	1526	1036.5	2562.5	188	194	150
86 BHE 77-10	1652	1405	3057	188	194	206
86 BHE 77-11	1778	1405	3183	188	194	211

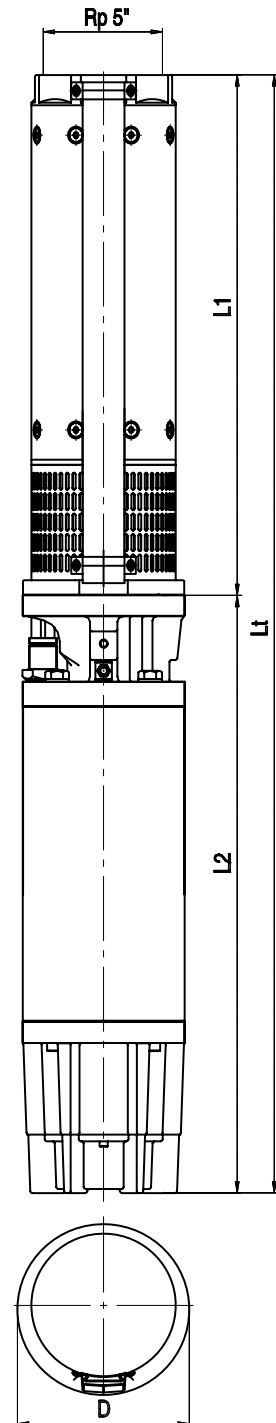
8" Motor						
Pump type	Dimensions [mm]					Weight [kgf]
	L1	L2	Lt	D		
				1 CABLE	2 CABLE	
8 BHE 77-12	1909	1077	2986	200	202	254
8 BHE 77-13	2035	1394	3429	200	202	259
8 BHE 77-14	2161	1394	3555	200	202	294
8 BHE 77-15	2287	1394	3681	200	202	299
8 BHE 77-16	2413	1496	3909	200	202	342
8 BHE 77-17	2539	1496	4035	200	202	347
8 BHE 77-18	2665	1496	4161	200	202	352
8 BHE 77-19	2791	1496	4287	200	202	357
8 BHE 77-20	2917	1496	4413	200	202	361
8 BHE 77-21	3043	1496	4539	200	202	366
8 BHE 77-22	3169	1748	4917	200	202	449
8 BHE 77-23	3295	1748	5043	200	202	454
8 BHE 77-24	3421	1748	5169	200	202	459



8BHE 95

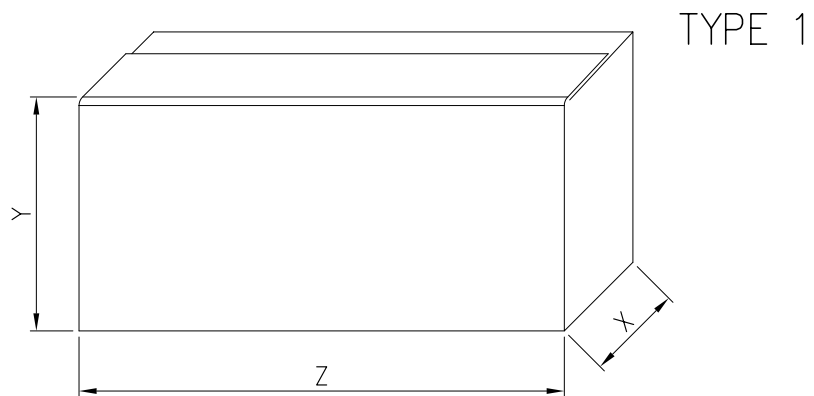
6" Motor						
Pump type	Dimensions [mm]					Weight [kgf]
	L1	L2	Lt	D		
				1 CABLE	2 CABLE	
86 BHE 95-2	644	678.5	1322.5	188	194	79
86 BHE 95-3	770	776	1546	188	194	93
86 BHE 95-4	896	841.5	1737.5	188	194	105
86 BHE 95-5	1022	906.5	1928.5	188	194	115.5
86 BHE 95-6	1148	1036.5	2184.5	188	194	135
86 BHE 95-7	1274	1036.5	2310.5	188	194	140
86 BHE 95-8	1400	1405	2805	188	194	196
86 BHE 95-9	1526	1405	2931	188	194	201

8" Motor						
Pump type	Dimensions [mm]					Weight [kgf]
	L1	L2	Lt	D		
				1 CABLE	2 CABLE	
8 BHE 95-10	1657	1077	2734	200	202	244
8 BHE 95-11	1783	1394	3177	200	202	279
8 BHE 95-12	1909	1394	3303	200	202	284
8 BHE 95-13	2035	1394	3429	200	202	289
8 BHE 95-14	2161	1496	3657	200	202	332
8 BHE 95-15	2287	1496	3783	200	202	337
8 BHE 95-16	2413	1496	3909	200	202	342
8 BHE 95-17	2539	1496	4035	200	202	346.5
8 BHE 95-18	2665	1748	4413	200	202	429.5
8 BHE 95-19	2791	1748	4539	200	202	434.5
8 BHE 95-20	2917	1748	4665	200	202	439
8 BHE 95-21	3043	1748	4791	200	202	444
8 BHE 95-22	3169	1976	5145	200	202	512
8 BHE 95-23	3295	1976	5271	200	202	517



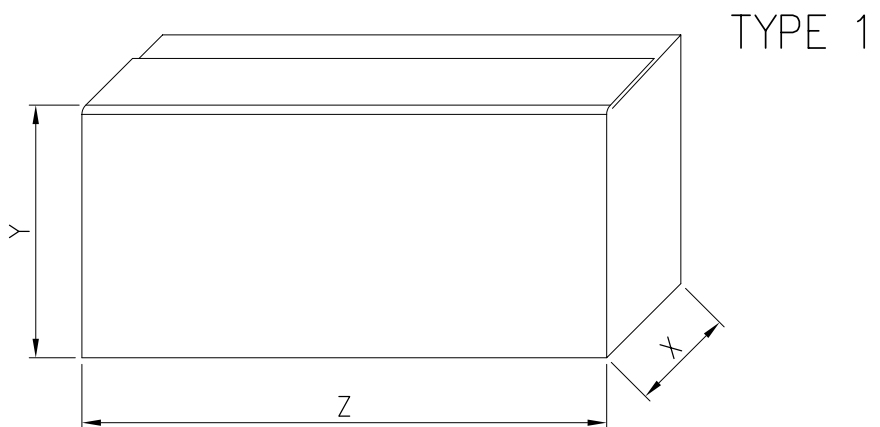
PACKING 6BHE 13

Pump type	Dimensions [mm]			Weight [kgf]	Type
	X	Y	Z		
6BHE 13-5	160	160	600	12,73	1
6BHE 13-6	160	160	600	13,56	1
6BHE 13-7	160	160	600	14,39	1
6BHE 13-8	160	160	600	15,23	1
6BHE 13-9	160	160	600	16,05	1
6BHE 13-10	160	160	800	17,09	1
6BHE 13-11	160	160	800	17,92	1
6BHE 13-12	160	160	800	18,75	1
6BHE 13-13	160	160	800	19,58	1
6BHE 13-14	160	160	800	20,42	1
6BHE 13-15	160	160	800	21,24	1
6BHE 13-16	160	160	800	22,28	1
6BHE 13-17	160	160	1200	23,11	1
6BHE 13-18	160	160	1200	23,99	1
6BHE 13-19	160	160	1200	24,82	1
6BHE 13-20	160	160	1200	25,66	1
6BHE 13-21	160	160	1200	26,47	1
6BHE 13-22	160	160	1200	27,31	1
6BHE 13-23	160	160	1200	28,15	1
6BHE 13-24	160	160	1200	28,98	1
6BHE 13-25	160	160	1200	29,81	1
6BHE 13-26	160	160	1200	30,64	1
6BHE 13-27	160	160	1200	31,47	1
6BHE 13-28	160	160	1200	32,3	1
6BHE 13-29	160	160	1200	33,13	1
6BHE 13-30	160	160	1200	33,96	1
6BHE 13-31	160	200	1500	34,79	1
6BHE 13-32	160	200	1500	37,93	1
6BHE 13-33	160	200	1500	38,76	1
6BHE 13-34	160	200	1500	39,44	1
6BHE 13-35	160	200	1500	40,27	1
6BHE 13-36	160	200	1500	41,11	1
6BHE 13-37	160	200	1500	41,94	1
6BHE 13-38	160	200	1500	42,77	1
6BHE 13-39	160	200	1500	43,6	1
6BHE 13-40	160	200	1500	44,43	1
6BHE 13-41	160	200	1500	46,26	1
6BHE 13-42	160	200	1900	47,1	1
6BHE 13-43	160	200	1900	47,93	1
6BHE 13-44	160	200	1900	48,76	1
6BHE 13-45	160	200	1900	49,59	1
6BHE 13-46	160	200	1900	50,42	1
6BHE 13-47	160	200	1900	51,25	1
6BHE 13-48	160	200	1900	52,08	1
6BHE 13-49	160	200	1900	52,92	1
6BHE 13-50	160	200	1900	54,26	1
6BHE 13-51	160	200	1900	55,09	1
6BHE 13-52	160	200	1900	55,92	1
6BHE 13-53	160	200	1900	56,75	1
6BHE 13-54	160	200	1900	57,59	1
6BHE 13-55	160	200	1900	59,82	1
6BHE 13-56	160	200	2440	60,65	1
6BHE 13-57	160	200	2440	61,48	1
6BHE 13-58	160	200	2440	62,31	1
6BHE 13-59	160	200	2440	63,15	1
6BHE 13-60	160	200	2440	63,98	1
6BHE 13-61	160	200	2440	64,81	1



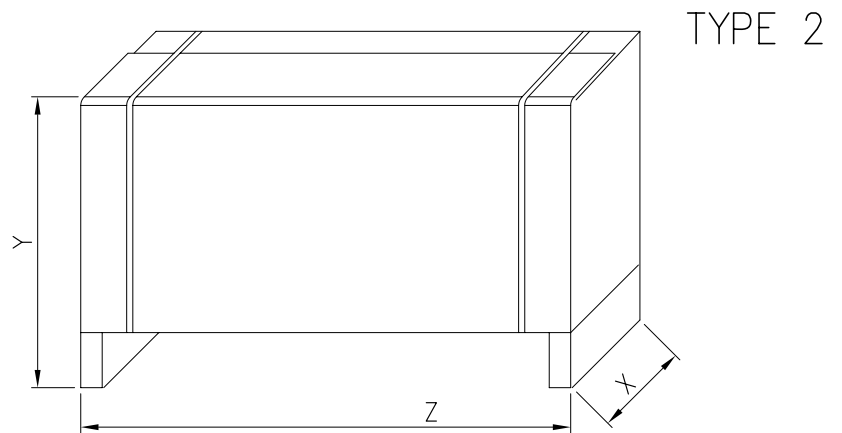
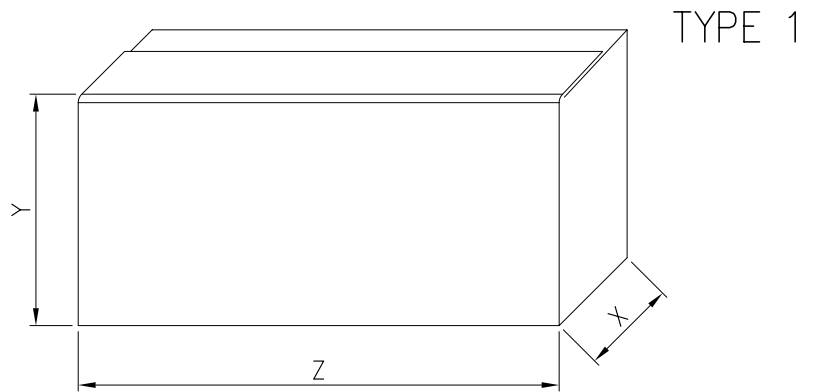
PACKING 6BHE 20

Pump type	Packing [mm]			Weight [kgf]	Type
	X	Y	Z		
6BHE 20-6	160	160	600	14,24	1
6BHE 20-7	160	160	600	15,17	1
6BHE 20-8	160	160	800	16,29	1
6BHE 20-9	160	160	800	17,22	1
6BHE 20-10	160	160	800	18,14	1
6BHE 20-11	160	160	800	19,07	1
6BHE 20-12	160	160	800	19,99	1
6BHE 20-13	160	160	800	21,16	1
6BHE 20-14	160	160	1200	22,09	1
6BHE 20-15	160	160	1200	23,01	1
6BHE 20-16	160	160	1200	23,94	1
6BHE 20-17	160	160	1200	24,86	1
6BHE 20-18	160	160	1200	25,79	1
6BHE 20-19	160	160	1200	26,71	1
6BHE 20-20	160	160	1200	27,643	1
6BHE 20-21	160	160	1200	28,56	1
6BHE 20-22	160	160	1200	29,49	1
6BHE 20-23	160	160	1200	30,4	1
6BHE 20-24	160	200	1500	33,63	1
6BHE 20-25	160	200	1500	34,55	1
6BHE 20-26	160	200	1500	35,48	1
6BHE 20-27	160	200	1500	36,4	1
6BHE 20-28	160	200	1500	37,33	1
6BHE 20-29	160	200	1500	38,25	1
6BHE 20-30	160	200	1500	39,18	1
6BHE 20-31	160	200	1500	40,1	1
6BHE 20-32	160	200	1500	41,02	1
6BHE 20-33	160	200	1500	42,95	1
6BHE 20-34	160	200	1900	43,88	1
6BHE 20-35	160	200	1900	44,8	1
6BHE 20-36	160	200	1900	45,73	1
6BHE 20-37	160	200	1900	46,65	1
6BHE 20-38	160	200	1900	47,57	1
6BHE 20-39	160	200	1900	48,5	1
6BHE 20-40	160	200	1900	49,42	1
6BHE 20-41	160	200	1900	50,35	1
6BHE 20-42	160	200	1900	51,27	1
6BHE 20-43	160	200	1900	52,2	1
6BHE 20-44	160	200	2440	54,52	1
6BHE 20-45	160	200	2440	55,45	1
6BHE 20-46	160	200	2440	56,37	1
6BHE 20-47	160	200	2440	57,85	1
6BHE 20-48	160	200	2440	58,77	1
6BHE 20-49	160	200	2440	59,69	1
6BHE 20-50	160	200	2440	60,62	1
6BHE 20-51	160	200	2440	61,54	1
6BHE 20-52	160	200	2440	62,47	1
6BHE 20-53	160	200	2440	63,39	1
6BHE 20-54	160	200	2440	64,32	1
6BHE 20-55	160	200	2440	65,24	1
6BHE 20-56	160	200	2440	66,18	1
6BHE 20-57	160	200	2440	67,09	1
6BHE 20-58	160	200	2440	70,22	1
6BHE 20-59	160	200	3250	71,15	1
6BHE 20-60	160	200	3250	72,06	1



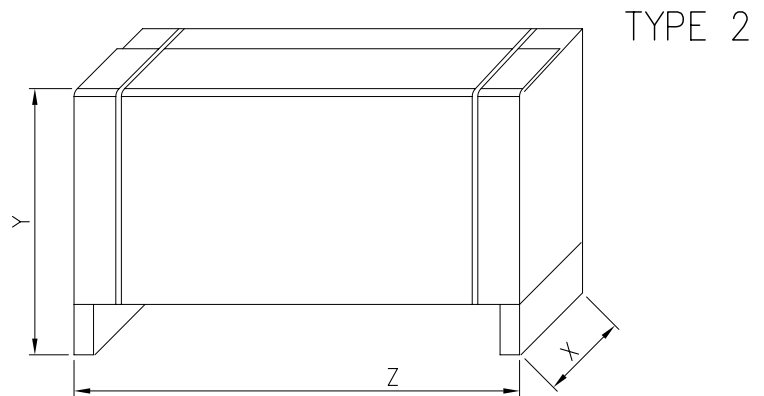
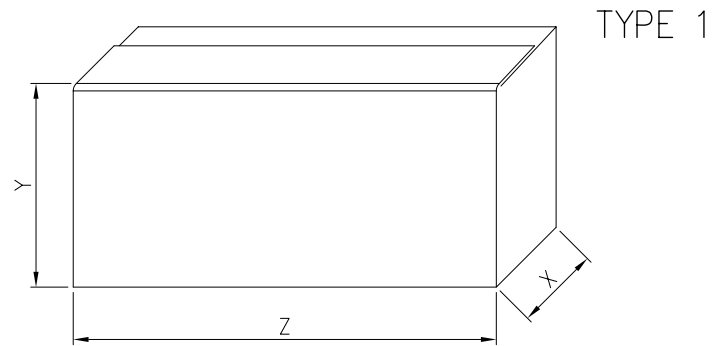
PACKING 6BHE 32

Pump type	Packing [mm]			Weight [kgf]	Type
	X	Y	Z		
6BHE 32-3	160	160	800	15,9	1
6BHE 32-4	160	160	800	18	1
6BHE 32-5	160	160	800	20,1	1
6BHE 32-6	160	160	1200	22,4	1
6BHE 32-7	160	160	1200	24,5	1
6BHE 32-8	160	160	1200	26,8	1
6BHE 32-9	160	160	1200	28,7	1
6BHE 32-10	160	200	1500	31,3	1
6BHE 32-11	160	200	1500	33,4	1
6BHE 32-12	160	200	1500	35,5	1
6BHE 32-13	160	200	1900	40,7	1
6BHE 32-14	160	200	1900	42,75	1
6BHE 32-15	160	200	1900	44,85	1
6BHE 32-16	160	200	1900	47	1
6BHE 32-17	160	200	1900	49	1
6BHE 32-18	160	200	2440	52,5	1
6BHE 32-19	160	200	2440	54,6	1
6BHE 32-20	160	200	2440	56,7	1
6BHE 32-21	160	200	2440	58,8	1
6BHE 32-22	160	200	2440	60,9	1
6BHE 32-23	160	200	2440	63	1
6BHE 32-24	160	200	2440	65,1	1
6BHE 32-25	160	200	3250	69,4	1
6BHE 32-26	160	200	3250	71,5	1
6BHE 32-27	160	200	3250	73,6	1
6BHE 32-28	160	200	3250	78,75	1
6BHE 32-29	160	200	3250	77,8	1
6BHE 32-30	160	200	3250	79,9	1
6BHE 32-31	160	200	3250	81	1
6BHE 32-32	160	200	3250	84,1	1
6BHE 32-33	160	200	3250	86,2	1
6BHE 32-34	150	200	4000	126,2	2
6BHE 32-35	150	200	4000	128,3	2
6BHE 32-36	150	200	4000	131,56	2
6BHE 32-37	150	200	4000	133,65	2
6BHE 32-38	150	200	4000	142	2
6BHE 32-39	150	200	4000	144,1	2
6BHE 32-40	150	200	5350	160,55	2
6BHE 32-41	150	200	5350	161,6	2
6BHE 32-42	150	200	5350	162,7	2
6BHE 32-43	150	200	5350	163,75	2



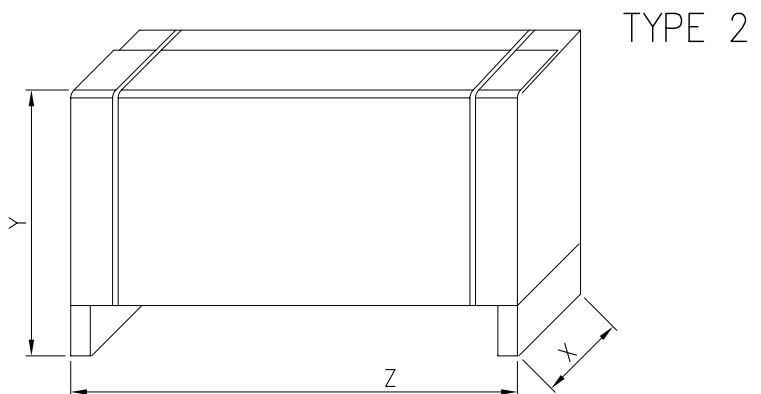
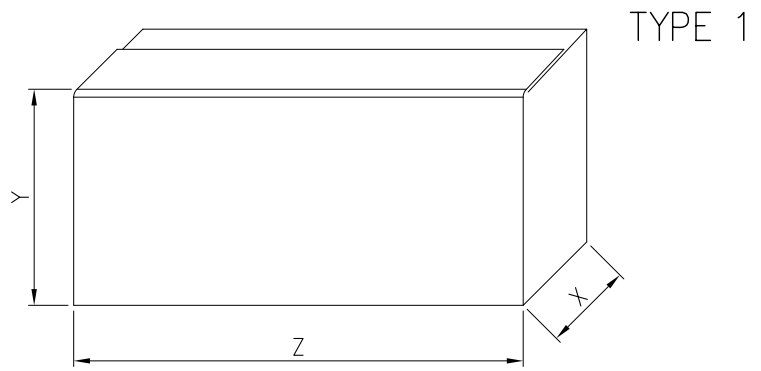
PACKING 6BHE 48

Pump type	Packing [mm]			Weight [kgf]	Type
	X	Y	Z		
6BHE 48-2	160	160	800	15	1
6BHE 48-3	160	160	800	17,3	1
6BHE 48-4	160	160	1200	20,4	1
6BHE 48-5	160	160	1200	23	1
6BHE 48-6	160	160	1200	25,3	1
6BHE 48-7	160	200	1500	28,4	1
6BHE 48-8	160	200	1500	31	1
6BHE 48-9	160	200	1500	33,3	1
6BHE 48-10	160	200	1900	39,3	1
6BHE 48-11	160	200	1900	42	1
6BHE 48-12	160	200	1900	44,5	1
6BHE 48-13	160	200	1900	47,2	1
6BHE 48-14	160	200	2400	51,2	1
6BHE 48-15	160	200	2400	53,7	1
6BHE 48-16	160	200	2400	56,4	1
6BHE 48-17	160	200	2400	59	1
6BHE 48-18	160	200	2400	61,6	1
6BHE 48-19	160	200	3250	66,4	1
6BHE 48-20	160	200	3250	69	1
6BHE 48-21	160	200	3250	71,6	1
6BHE 48-22	160	200	3250	74,2	1
6BHE 48-23	160	200	3250	76,8	1
6BHE 48-24	160	200	3250	79,6	1
6BHE 48-25	160	200	3250	82,3	1
6BHE 48-26	150	200	4000	122,6	2
6BHE 48-27	150	200	4000	129	2
6BHE 48-28	150	200	4000	128,5	2
6BHE 48-29	150	200	4000	131	2
6BHE 48-30	150	200	5350	148	2
6BHE 48-31	150	200	5350	150,5	2
6BHE 48-32	150	200	5350	153	2
6BHE 48-33	150	200	5350	155,7	2
6BHE 48-34	150	200	5350	164,7	2
6BHE 48-35	150	200	5350	167,4	2
6BHE 48-36	150	200	5350	170	2
6BHE 48-37	150	200	5350	172,6	2
6BHE 48-38	150	200	5350	175,3	2
6BHE 48-39	150	200	5350	178	2
6BHE 48-40	150	200	5350	180,5	2



PACKING 6BHE 64

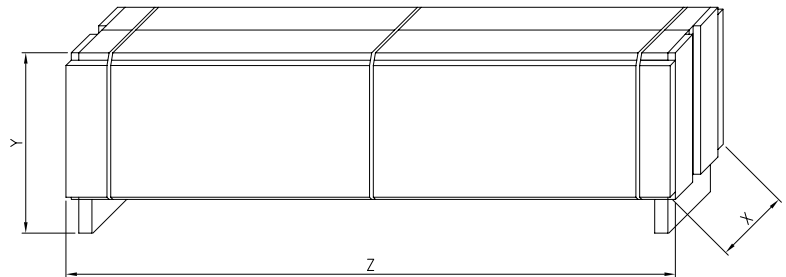
Pump type	Packing [mm]			Weight [kgf]	Type
	X	Y	Z		
6BHE 64-2	160	160	800	15	1
6BHE 64-3	160	160	800	17,3	1
6BHE 64-4	160	160	1200	20,5	1
6BHE 64-5	160	160	1200	23	1
6BHE 64-6	160	160	1200	25,4	1
6BHE 64-7	160	200	1500	28,5	1
6BHE 64-8	160	200	1500	31,1	1
6BHE 64-9	160	200	1500	33,4	1
6BHE 64-10	160	200	1900	39,4	1
6BHE 64-11	160	200	1900	42	1
6BHE 64-12	160	200	1900	44,6	1
6BHE 64-13	160	200	1900	47,2	1
6BHE 64-14	160	200	2440	51,2	1
6BHE 64-15	160	200	2440	53,8	1
6BHE 64-16	160	200	2440	56,5	1
6BHE 64-17	160	200	2440	59,1	1
6BHE 64-18	160	200	2440	61,7	1
6BHE 64-19	160	200	3250	66,5	1
6BHE 64-20	160	200	3250	69	1
6BHE 64-21	160	200	3250	71,7	1
6BHE 64-22	160	200	3250	74,3	1
6BHE 64-23	160	200	3250	77	1
6BHE 64-24	160	200	3250	79,6	1
6BHE 64-25	160	200	3250	82,2	1
6BHE 64-26	150	200	4000	122,7	2
6BHE 64-27	150	200	4000	132,2	2
6BHE 64-28	150	200	4000	134,8	2
6BHE 64-29	150	200	4000	137,4	2
6BHE 64-30	150	200	5350	154,4	2
6BHE 64-31	150	200	5350	157	2



PACKING 8BHE

8BHE77				
Pump type	Packing [mm]			Weight [kgf]
	X	Y	Z	
8BHE 77-2	200	200	1050	16,6
8BHE 77-3	200	200	1050	16,6
8BHE 77-4	200	200	1050	16,6
8BHE 77-5	200	200	1050	16,6
8BHE 77-6	200	200	1550	23,1
8BHE 77-7	200	200	1550	23,1
8BHE 77-8	200	200	1550	23,1
8BHE 77-9	200	200	1550	23,1
8BHE 77-10	200	200	2050	25.6
8BHE 77-11	200	200	2050	25.6
8BHE 77-12	200	200	2050	25.6
8BHE 77-13	200	200	2050	25.6
8BHE 77-14	200	200	2550	31.1
8BHE 77-15	200	200	2550	31.1
8BHE 77-16	200	200	2550	31.1
8BHE 77-17	200	200	3050	39.6
8BHE 77-18	200	200	3050	39.6
8BHE 77-19	200	200	3050	39.6
8BHE 77-20	200	200	3050	39.6
8BHE 77-21	200	200	3250	46.1
8BHE 77-22	160	200	3250	46.1
8BHE 77-23	160	200	3250	46.1
8BHE 77-24	160	200	3250	46.1

8BHE95				
Pump type	Packing [mm]			Weight [kgf]
	X	Y	Z	
8BHE 95-2	200	200	1050	16,6
8BHE 95-3	200	200	1050	16,6
8BHE 95-4	200	200	1050	16,6
8BHE 95-5	200	200	1050	16,6
8BHE 95-6	200	200	1550	23,1
8BHE 95-7	200	200	1550	23,1
8BHE 95-8	200	200	1550	23,1
8BHE 95-9	200	200	1550	23,1
8BHE 95-10	200	200	2050	25.6
8BHE 95-11	200	200	2050	25.6
8BHE 95-12	200	200	2050	25.6
8BHE 95-13	200	200	2050	25.6
8BHE 95-14	200	200	2550	31.1
8BHE 95-15	200	200	2550	31.1
8BHE 95-16	200	200	2550	31.1
8BHE 95-17	200	200	3050	39.6
8BHE 95-18	200	200	3050	39.6
8BHE 95-19	200	200	3050	39.6
8BHE 95-20	200	200	3050	39.6
8BHE 95-21	200	200	3250	46.1
8BHE 95-22	160	200	3250	46.1
8BHE 95-23	160	200	3250	46.1



MOTOR DATA

OIL FILLED MOTORS

	Power		Hight thrust [N]	Three phase 380 V				Three phase 415 V			
	[kW]	[HP]		Input [kW]	IN [A]	IA [A]	Power factor	Input [kW]	IN [A]	IA [A]	Power factor
4"	2.2	3	1500	3.00	6.0	24.0	0.76	3.39	6.2	24.0	0.76
	2.2	3	5000	3.02	5.6	23.0	0.82	3.42	5.8	23.0	0.82
	3	4	5000	4.05	7.7	30.0	0.80	4.49	7.8	30.0	0.80
	4	5.5	5000	5.24	9.7	45.0	0.82	5.78	9.8	45.0	0.82
	5.5	7.5	5000	7.37	13.5	55.0	0.83	8.23	13.8	55.0	0.83
6"	7.5	10	4400	9.75	19	72.0	0.78	10.93	19.5	72.0	0.78
	4	5.5	5000/10000	4.81	8.7	45	0.84	5.12	8.9	45	0.8
	5.5	7.5	5000/10000	6.97	12.6	64	0.84	7.13	12.4	64	0.8
	7.5	10	10000	9.62	17.2	78	0.85	9.73	16.5	78	0.82
	11	15	10000	13.32	24.1	121	0.84	13.74	23.9	121	0.8
	15	20	10000	17.77	31.4	160	0.86	17.93	29.7	160	0.84
	18.5	25	10000	23.49	41.5	225	0.86	21.57	36.6	225	0.82
	22	30	10000	26.32	46.5	250	0.86	26.87	44.5	250	0.84
30	40	20000	34.83	63	330	0.84	36.69	58	330	0.88	

WATER FILLED MOTORS

	Power		Hight thrust [N]	Three phase 380 V				Three phase 415 V			
	[kW]	[HP]		Input [kW]	IN [A]	IA [A]	Power factor	Input [kW]	IN [A]	IA [A]	Power factor
4"	2.2	3	4000	2.91	5.4	28.3	0.82	3.00	5.8	30.9	0.72
	3	4	4000	3.99	7.4	39.9	0.82	4.09	7.9	43.6	0.72
	4	5.5	6500	5.24	9.7	54.1	0.82	5.38	10.4	59.1	0.72
	5.5	7.5	6500	7.05	12.6	73.3	0.85	7.08	12.8	80.1	0.77
	7.5	10	6500	9.74	17.2	94.3	0.86	9.74	17.6	103	0.77
6"	4	5.5	15500	5.31	9.5	42	0.85	5.21	9.3	46	0.78
	5.5	7.5	15500	7.16	12.8	60	0.85	7.18	12.8	66	0.78
	7.5	10	15500	9.33	16.3	83	0.87	9.43	16.2	91	0.81
	11	15	15500	13.74	24	126	0.87	14.03	24.1	136	0.81
	15	20	15500	18.11	32	164	0.86	18.49	31	179	0.83
	18.5	25	15500	22.9	40	220	0.87	23	38.5	240	0.83
	22	30	15500	27.22	47	255	0.88	27.17	45	278	0.84
	30	40	27500	35.86	64.1	373	0.85	37.55	64.5	407	0.81
37	50	27500	45.87	80.1	387	0.87	45.92	77.9	423	0.82	
8"	45	60	45000	52.13	89	612	0.89	52.46	89	669	0.82
	55	75	45000	65.02	111	819	0.89	65.21	108	895	0.84
	75	100	45000	86.7	148	1099	0.89	87.55	145	1200	0.84
	93	125	45000	109.81	194	1265	0.86	109.83	191	1382	0.8
	110	150	45000	129.41	226	1517	0.87	129.84	223	1657	0.81

OIL FILLED MOTORS CABLE SELECTION

EXAMPLE : 4" MOTOR 4 kW 380-415 V CABLE LENGTH 77 m - 4x2,5 mm²

Three phase 380-415 V

Size	POWER		Cable type and maximum length(*)									
	[kW]	[HP]	4x1	4x1.5	4x2	4x2.5	4x4	4x6	4x10	4x16	4x25	4x35
4"	2.2	3	51	78	103	130	207	310	516	-	-	-
	3	4	41	62	83	104	167	250	416	-	-	-
	4	5.5	31	46	62	77	124	186	310	496	-	-
	5.5	7.5	-	33	45	56	90	135	225	360	-	-
6"	7.5	10	-	-	-	-	66	100	165	270	-	-
	4	5.5	-	-	-	110	160	250	400	-	-	-
	5.5	7.5	-	-	-	68	108	161	265	415	-	-
	7.5	10	-	-	-	53	84	126	207	325	-	-
	9.2	12.5	-	-	-	44	70	104	171	267	413	-
	11	15	-	-	-	-	59	87	144	223	347	548
	15	20	-	-	-	-	-	65	107	167	258	350
	18.5	25	-	-	-	-	-	-	87	136	210	295
	22	30	-	-	-	-	-	-	75	117	181	246
30	40	-	-	-	-	-	-	-	110	180	235	

(*) Maximum cable length with a voltage drop of 3% at 30°C ambient temperature.

If the operating voltage U_i in the installation is different from the nominal voltage U_n , it is possible to calculate the permissible maximum length L_{max} with the following formula:

$$L_{max} = L_{tab} (U_i / U_n)^2$$

WATER FILLED MOTORS CABLE SELECTION

EXAMPLE : 4" MOTOR 4 kW 380-415 V CABLE LENGTH 85 m - 4x2,5 mm²

Three phase 380-415 V

Size	POWER		Cable type and maximum lenght(*)																			
	[kW]	[HP]	4x1	4x1.5	4x2	4x2.5	4x4	4x6	4x10	4x16	4x25	4x35	4x50	4x70	4x95	4x120	4x150	4x185	4x240	4x300	4x400	
4"	2.2	3	61	91	122	152	243	365	609	-	-	-	-	-	-	-	-	-	-	-	-	-
	3	4	45	67	89	112	179	268	446	-	-	-	-	-	-	-	-	-	-	-	-	-
	4	5.5	34	51	68	85	135	203	338	541	-	-	-	-	-	-	-	-	-	-	-	-
5"	5.5	7.5	-	40	53	66	106	159	266	425	-	-	-	-	-	-	-	-	-	-	-	-
	7.5	10	-	-	-	-	78	117	196	313	-	-	-	-	-	-	-	-	-	-	-	-
	4	5.5	40	60	-	171	161	242	404	646	-	-	-	-	-	-	-	-	-	-	-	-
6"	5.5	7.5	-	45	-	127	120	180	300	481	-	-	-	-	-	-	-	-	-	-	-	-
	7.5	10	-	-	-	60	96	138	228	354	-	-	-	-	-	-	-	-	-	-	-	-
	9.2	12.5	-	-	-	48	70	120	192	306	468	-	-	-	-	-	-	-	-	-	-	-
	11	15	-	-	-	-	66	102	162	258	396	525	-	-	-	-	-	-	-	-	-	-
	15	20	-	-	-	-	-	72	126	192	294	402	546	-	-	-	-	-	-	-	-	-
	18.5	25	-	-	-	-	-	60	102	156	240	330	438	576	-	-	-	-	-	-	-	-
	22	30	-	-	-	-	-	-	84	132	204	276	372	489	-	-	-	-	-	-	-	-
	30	40	-	-	-	-	-	-	-	102	156	210	288	380	490	580	-	-	-	-	-	-
	37	50	-	-	-	-	-	-	-	-	123	169	230	310	390	460	550	890	-	-	-	-
8"	45	60	-	-	-	-	-	-	-	-	105	142	200	255	330	387	453	516	800	-	-	-
	55	75	-	-	-	-	-	-	-	-	-	117	164	229	270	324	380	435	510	573	-	-
	75	100	-	-	-	-	-	-	-	-	-	-	-	160	205	240	290	324	381	429	600	-
	93	125	-	-	-	-	-	-	-	-	-	-	-	-	160	190	225	255	300	330	380	-
	110	150	-	-	-	-	-	-	-	-	-	-	-	-	-	160	180	183	240	270	400	-

(*) Maximum cable length with a voltage drop of 3% at 30°C ambient temperature.

If the operating voltage U_i in the installation is different from the nominal voltage U_n , it is possible to calculate the permissible maximum length L_{max} with the following formula:

$$L_{max} = L_{tab} (U_i / U_n)^2$$