

---

**Contents**

---

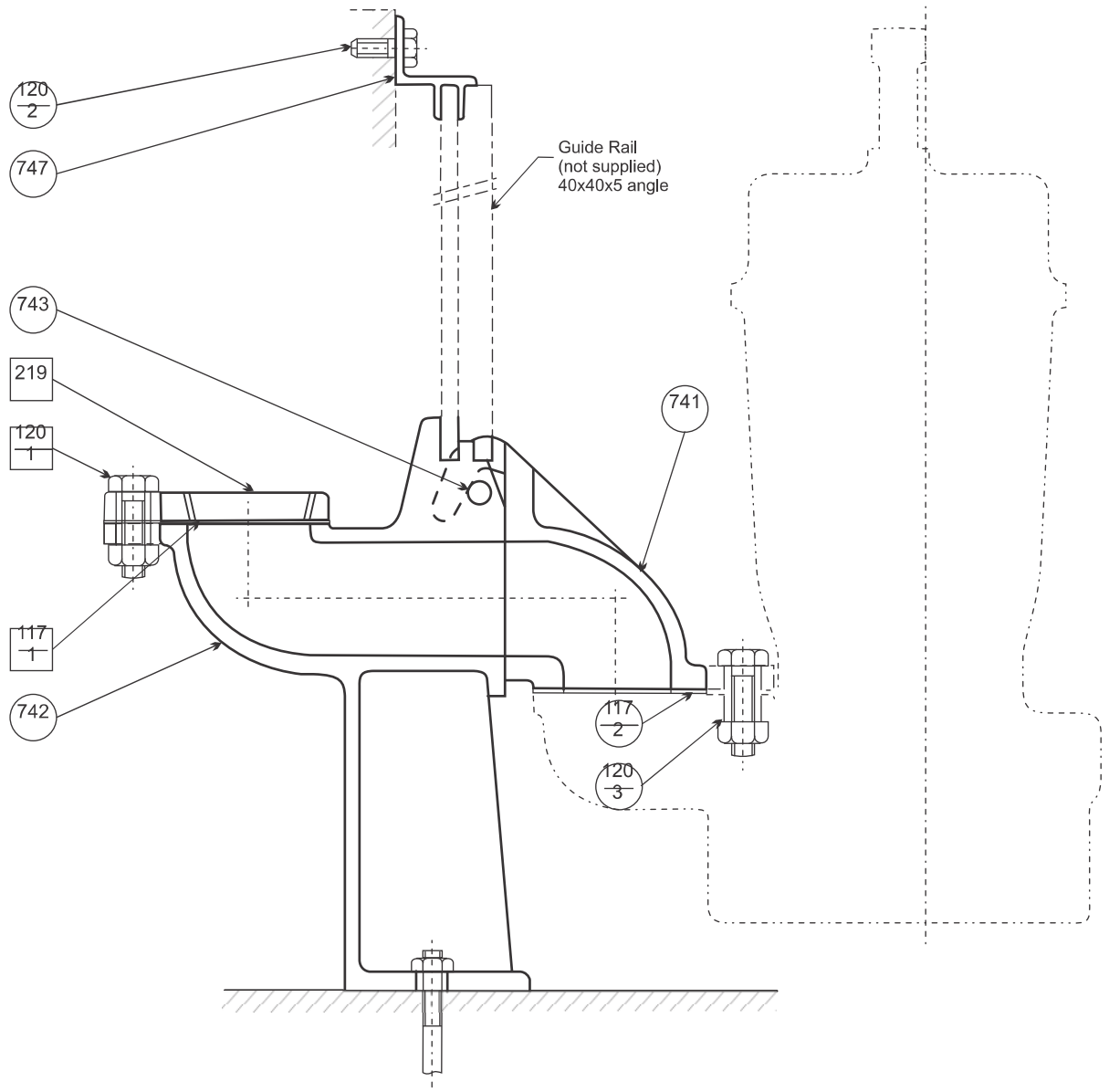
Contents	Pages	Updated
Selection Table	SD F007 1E-K001B	--
Sectional View – Model LS 50	SD F007 1E-K002A	--
Sectional View – Model LM 50, 65, 80	SD F007 1E-K003A	--
Sectional View – Model LL 65, 80, 100	SD F007 1E-K004A	--
Sectional View – Model LL 150	SD F007 1E-K005A	--
Sectional View – Model LL 250, 300	SD F007 1E-K006A	--

## Selection Table

QDC Model	Size			Applicable Model					
	Discharge Flange $\phi$	Discharge Elbow $\phi$	QDC Body $\phi$	Flange $\phi$	DS	DVS	DF	DL	DML
LS Combined Type	50		50	50	50 DS 0.4-1.5 kW	50 DVS 0.4-1.5 kW			
	50	50x50	50	50	50 DS 2.2-3.7 kW		50 DF 0.75 kW	50 DL 0.75 kW	
LM Separate Type	65	65x65	65	65	65 DS 1.5 kW	65 DVS 0.75-3.7 kW	65 DF 1.5 kW	65 DL 1.5 kW	
	80	65x80	65	65		80 DVS 0.75-3.7 kW			
LM80	80	80x80	80	80	80 DS 2.2-3.7 kW		80 DF 1.5-3.7 kW	80 DL 1.5-3.7 kW	80 DML 2.2, 3.7 kW
LL65	65	65x65	65	65					
LL80	80	80x80	80	80				80 DLC 5.5-7.5 kW	
LL100	100	80x100	80	80				100 DLC 5.5-7.5 kW	100 DML 3.7 kW
	80	100x80	100	100					80 DML 5.5-22 kW
LL125	150	100x150	100	100	100 DS 5.5-7.5 kW		100 DF 3.7-7.5 kW	100 DL&DLB 3.7-18.5 kW	100 DML 5.5-22 kW
	125	125x125	125	125					150 DML 5.5-22 kW
LL150	150	150x150	150	150					
	200	150x200	150	150				200 DL 5.5-45 kW	
LL250	250		200 X 200	200				250 DL 7.5-22 kW	
LL300	250	(Reducer) 300 X 250	250 X 300	250				250 DL 30-45 kW	
	300		250 X 300	250				300 DL 11-45 kW	

Note: The discharge elbow & companion flange are not supplied with the QDC. These items are standard accessories supplied with the pump, and they are used with the QDC.

## Sectional View - Model LS 50

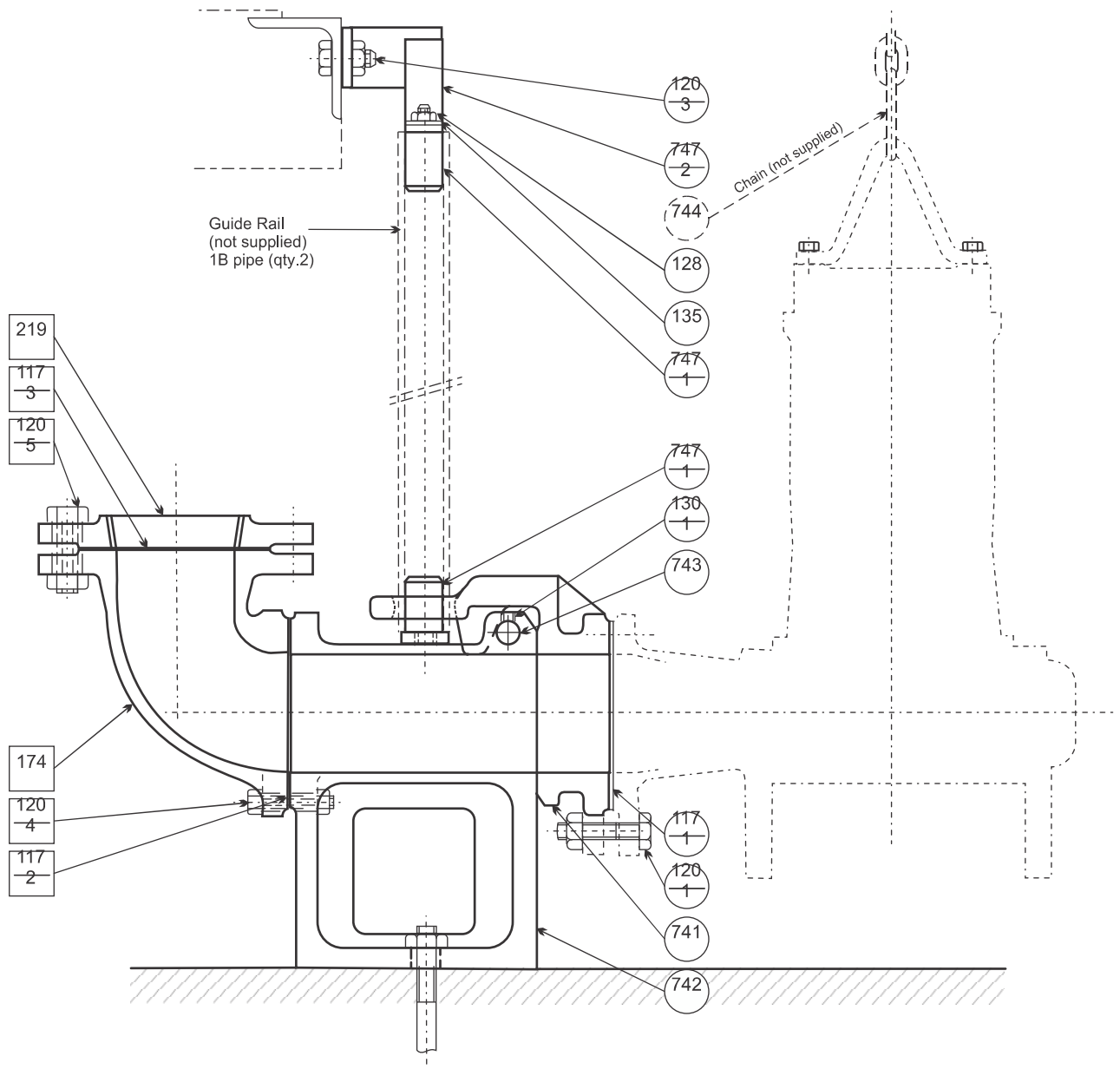


Item Number	Description	Material	Quantity per unit
117-1	Gasket	NBR Rubber	1
117-2	Gasket	NBR Rubber	1
120-1	Bolt & Nut	SUS Stainless Steel	2
120-2	Bolt	SUS Stainless Steel	2
120-3	Bolt	SUS Stainless Steel	2

Item Number	Description	Material	Quantity per unit
219	Companion Flange	FC200 Cast iron	1
741	Sliding Guide	FC200 Cast iron	1
742	QDC Body	FC200 Cast iron	1
743	Suspension Bar	SUS Stainless Steel	1
747	Guide Support	SS Steel (Plated)	1

Note: Those parts with item number indicated in a  are supplied with the pump.

## Sectional View - Model LM 50,65,80

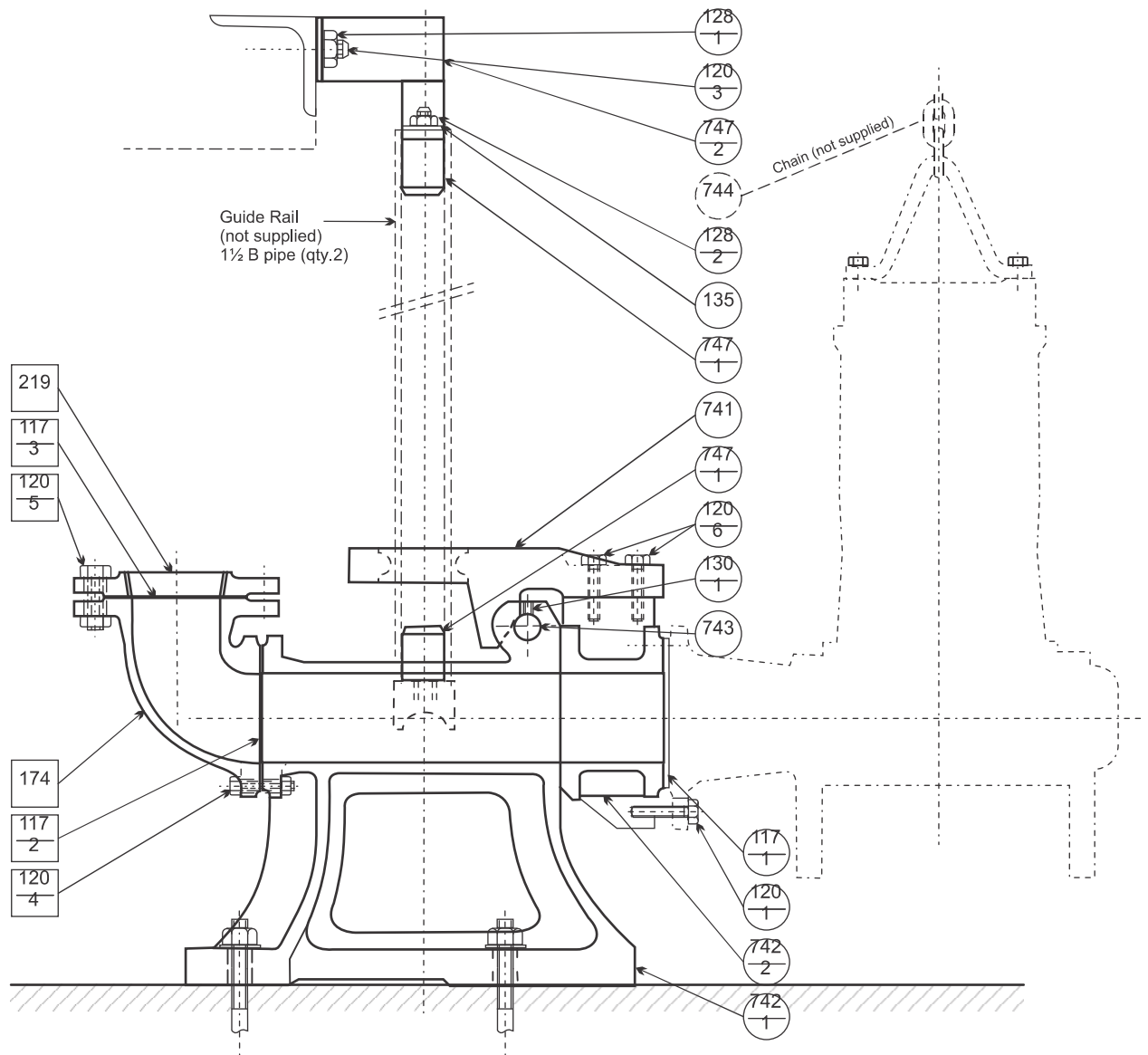


Item Number	Description	Material	Quantity per unit
117-1	Gasket	NBR Rubber	1
117-2	Gasket	NBR Rubber	1
117-3	Gasket	NBR Rubber	1
120-1	Bolt & Nut	SUS Stainless Steel	4
120-3	Bolt & Nut	SUS Stainless Steel	2
120-4	Bolt & Nut	SUS Stainless Steel	4
120-5	Bolt & Nut	SUS Stainless Steel	4or8
128	Nut	SUS Stainless Steel	2
130-1	Set Screw	SUS Stainless Steel	1

Item Number	Description	Material	Quantity per unit
135	Washer	SUS Stainless Steel	2
174	Discharge Bend	FC200 Cast iron	1
219	Companion Flange	FC200 Cast iron	1
741	Sliding Guide	FC200 Cast iron	1
742	QDC Body	FC200 Cast iron	1
743	Suspension Bar	SUS Stainless Steel	1
744	Chain	(Not supplied)	1
747-1	Guide Pin	S17C Steel	4
747-2	Guide Support	SS Steel	1

Note: Those parts with item number indicated in a  are supplied with the pump.

## Sectional View - Model LL 65,80,100

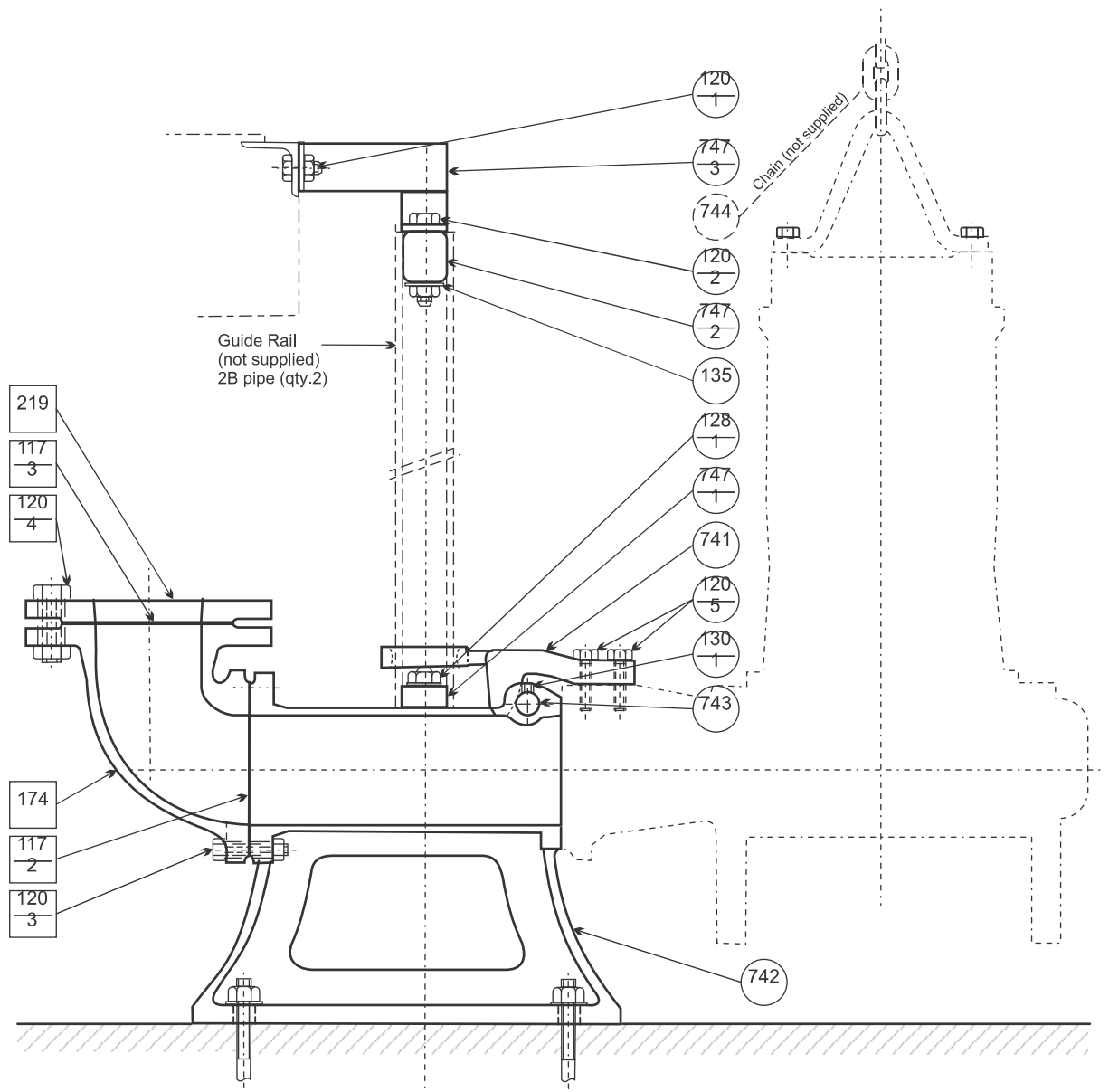


Item Number	Description	Material	Quantity per unit
117-1	Gasket	NBR Rubber	1
117-2	Gasket	NBR Rubber	1
117-3	Gasket	NBR Rubber	1
120-1	Bolt	SUS Stainless Steel	4
120-3	Bolt	SUS Stainless Steel	2
120-4	Bolt & Nut	SUS Stainless Steel	4
120-5	Bolt & Nut	SUS Stainless Steel	4or8
120-6	Bolt	SUS Stainless Steel	4
128-1	Nut	SUS Stainless Steel	2
128-2	Nut	SUS Stainless Steel	2
130-1	Set Screw	SUS Stainless Steel	1

Item Number	Description	Material	Quantity per unit
135	Washer	SUS Stainless Steel	2
174	Discharge Bend	FC200 Cast iron	1
219	Companion Flange	FC200 Cast iron	1
741	Sliding Guide	FCD400Cast Iron	1
742-1	QDC Body	FC200 Cast iron	1
742-2	QDC Flange	FC200 Cast iron	1
743	Suspension Bar	SUS Stainless Steel	1
744	Chain	(Not supplied)	1
747-1	Guide Pin	SS400 Steel	4
747-2	Guide Support	SS Steel	1

Note: Those parts with item number indicated in a  are supplied with the pump.

## Sectional View - Model LL 150

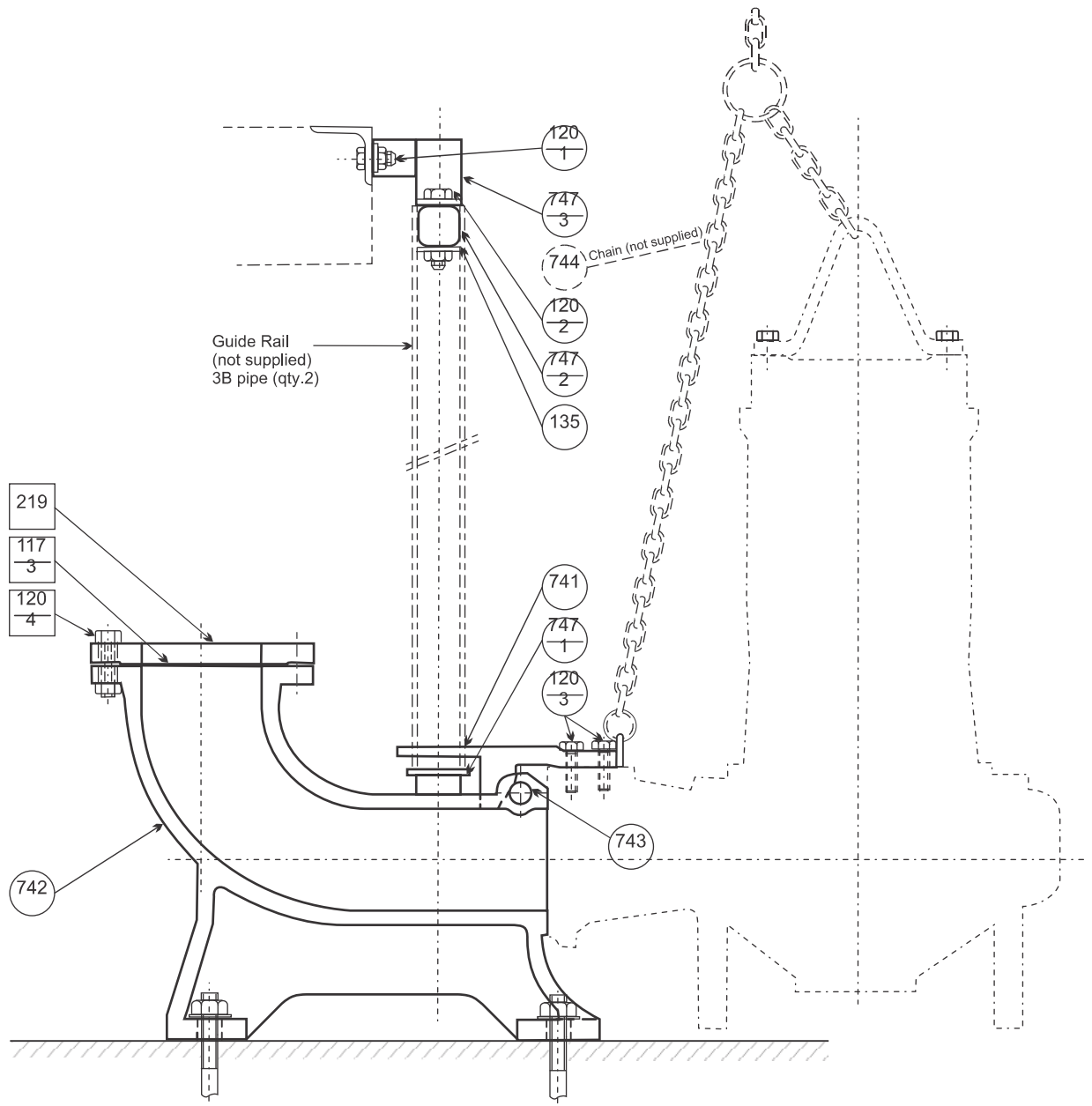


Item Number	Description	Material	Quantity per unit
117-2	Gasket	NBR Rubber	1
117-3	Gasket	NBR Rubber	1
120-1	Bolt & Nut	SUS Stainless Steel	2
120-2	Bolt & Nut	SUS Stainless Steel	2
120-3	Bolt & Nut	SUS Stainless Steel	4
120-4	Bolt & Nut	SUS Stainless Steel	8
120-5	Bolt	SUS Stainless Steel	4
128-1	Nut	SUS Stainless Steel	2
130-1	Set Screw	SUS Stainless Steel	1
135	Washer	SUS Stainless Steel	2

Item Number	Description	Material	Quantity per unit
174	Discharge Bend	FC200 Cast iron	1
219	Companion Flange	SS Steel	1
741	Sliding Guide	FCD400 Cast Iron	1
742	QDC Body	FC200 Cast iron	1
743	Suspension Bar	SUS Stainless Steel	1
744	Chain	(Not supplied)	1
747-1	Guide Pin	SS Steel	2
747-2	Guide Pin	NR Rubber	2
747-3	Guide Support	SS Steel	1

Note: Those parts with item number indicated in a  are supplied with the pump.

## Sectional View - Model LL 250,300



Item Number	Description	Material	Quantity per unit
117-3	Gasket	NR Rubber	1
120-1	Bolt & Nut	SUS Stainless Steel	2
120-2	Bolt & Nut	SS Steel	2
120-3	Bolt	SUS Stainless Steel	4
120-4	Bolt & Nut	SUS Stainless Steel	12or16
135	Washer	SS Steel	2
219	Companion Flange	SS Steel	1

Item Number	Description	Material	Quantity per unit
741	Sliding Guide	FCD400 Cast Iron	1
742	QDC Body	FC200 Cast iron	1
743	Suspension bar	SUS Stainless Steel	1
744	Chain	(Not supplied)	1
747-1	Pipe Support	SUS Stainless Steel	1
747-2	Guide Pin	NR Rubber	2
747-3	Guide Support	SS Steel	1

Note: Those parts with item number indicated in a  are supplied with the pump.

All specifications are subject to change without notice



## EBARA CORPORATION

Head Office, Tokyo	Phone: 81 - 3 - 3743 - 6111	
International Division, Tokyo	Phone: 81 - 3 - 5461 - 6111	
Singapore Office	Phone: 65 - 862 - 3536	Fax: 65 - 861 - 0589
Beijing Office	Phone: 86 - 10 - 6590 - 8150	Fax: 86 - 10 - 6590 - 8158
Bangkok Office	Phone: 66 - 2 - 216 - 4935	Fax: 66 - 2 - 216 - 4937
Hanoi Office	Phone: 84 - 4 - 826 - 3601	Fax: 84 - 4 - 826 - 3617
Jakarta Office	Phone: 62 - 21 - 8740852	Fax: 62 - 21 - 8740033
Kuala Lumpur Office	Phone: 603 - 5569 - 1655	Fax: 603 - 5569 - 3766
Manila Office	Phone: 63 - 2 - 816 - 7524	Fax: 63 - 2 - 817 - 6662
Taipei Office	Phone: 886 - 2 - 567 - 1310	Fax: 886 - 2 - 567 - 1046
Dubai Office	Phone: 971 - 4 - 883 - 8889	Fax: 971 - 4 - 883 - 5307

Distributor / Dealer