

PT EBARA INDONESIA

HEAD OFFICE & FACTORY

Jl. Raya Jakarta-Bogor Km.32 Curug, Cimanggis.
Kota Depok, Jawa Barat 16453.
Phone : (+6221) 8740 852-53 (Hunting) Fax: (+6221) 8740 033

SURABAYA OFFICE

3rd Fl., Wisma SIER Building
Jl. Rungkut Industri Raya No. 10, Rungkut Tengah,
Kec. Gn. Anyar.
Surabaya, Jawa Timur 60293.
Phone : (+6231) 9985 3535



Ishizue

FSA

EBARA End Suction Volute Pump

50 Hz

Features



High Working Pressure

Wider range application with flow capacity up to 22 m³/min. Higher working pressure up to 20 bar.



Stable Performance

Non-overload design to ensure stable performance for all applications.



Top Centreline Discharge

Foot support under casing for maximum resistance due to misalignment and distortions from pipe loads.



Easy Removal and Maintenance

BPO (Back Pull Out) system allows all rotating elements can be removed without disconnecting suction and discharge pipe work.

Application Fields



Water Supply



Water Circulation



Industrial Use

Specification

Liquid Handling

Clean Water, 0 - 80 C

Max. Working Pressure

Up to 20 Bar*

Design Standard

JIS B 8313

Flange

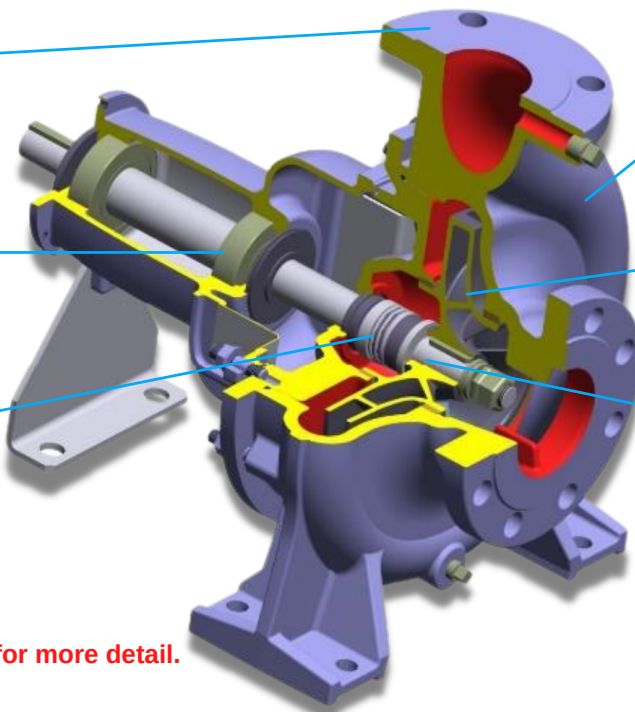
JIS 10K, JIS16K
JIS20K*

Bearing

Sealed Ball Bearing
Oil Bath System*

Shaft Seal

Mechanical Seal
Gland Packing



Casing

Cast Iron
Ductile Cast Iron*

Impeller

Bronze
Cast Iron*
Ductile Cast Iron*

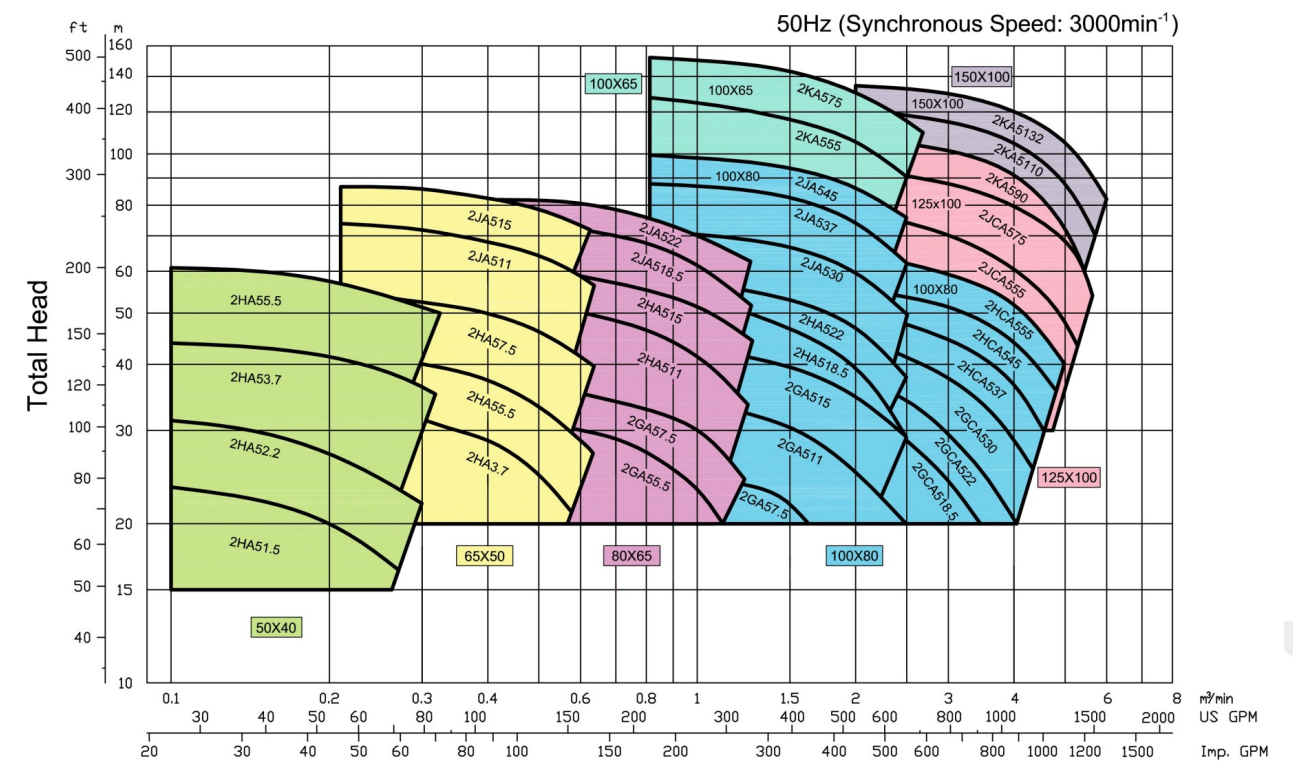
Shaft

Stainless Steel

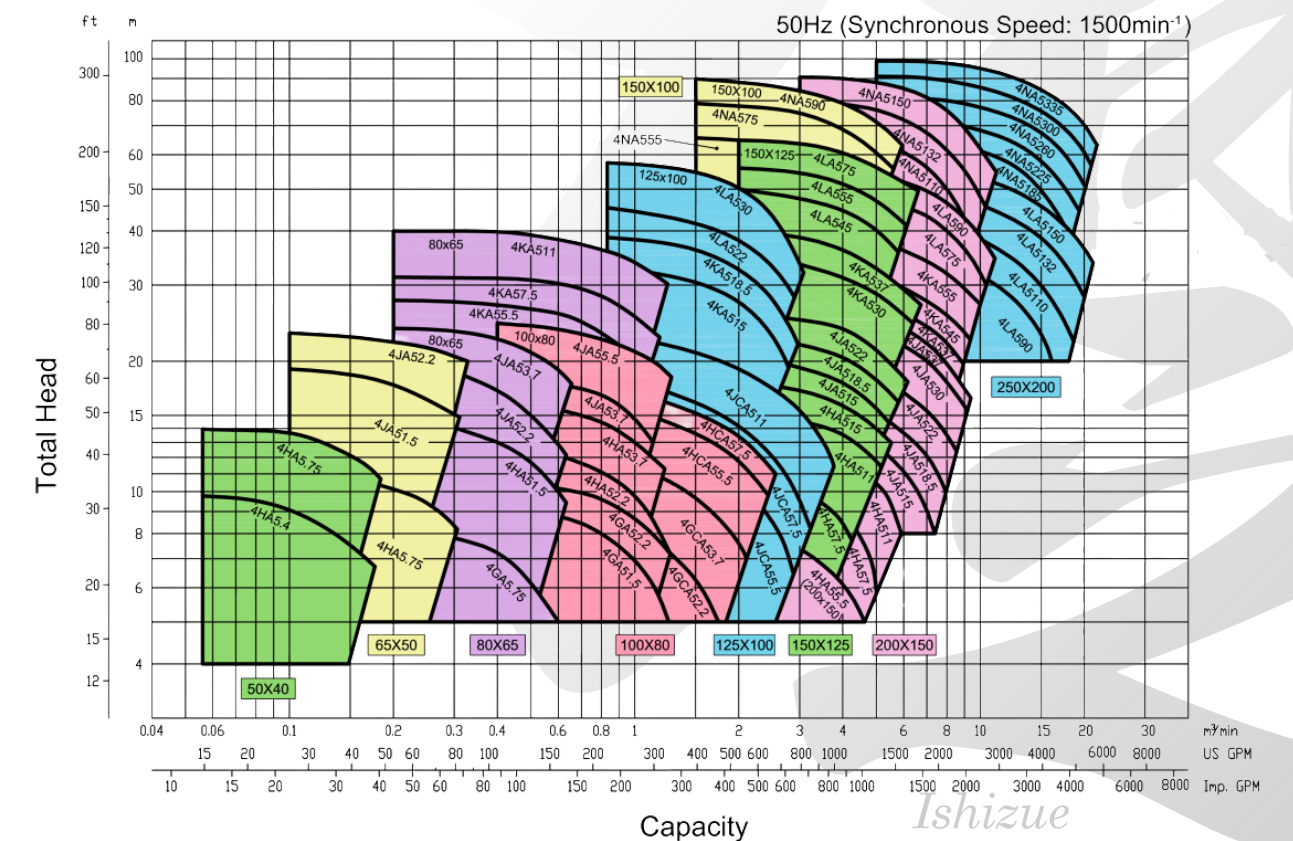
*Optional & Contact Us for more detail.

Selection Chart

2 Pole || 50 Hz



4 Pole || 50 Hz



Ishizue